

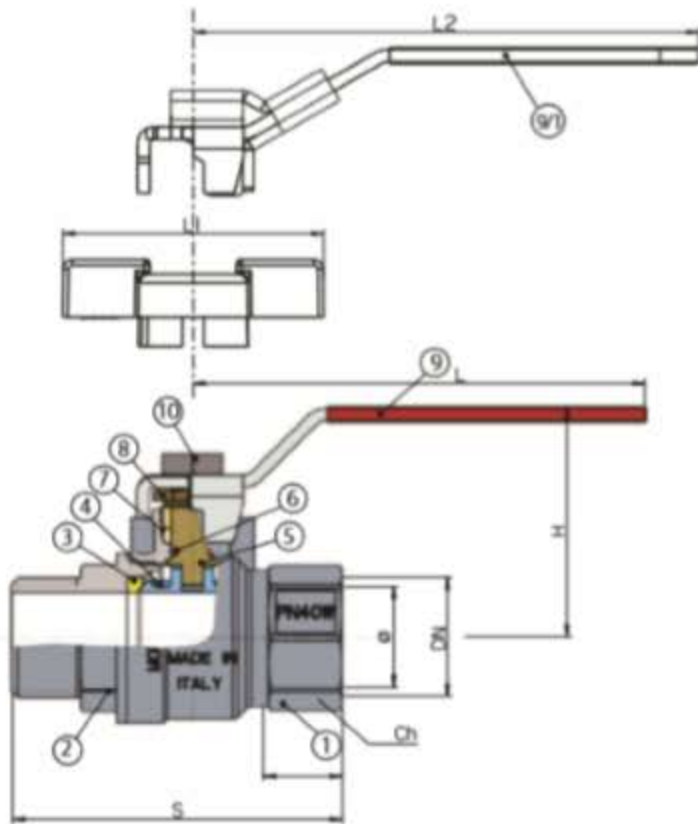
ART 46

PN40 Brass Ball Valve

Features

- Screwed BSP Parallel M/F Ends
- PTFE Seats & Seals
- Anti-Blow Out Stem
- Full Bore
- WRAS Approved
- Locking Lever & Tee Handle Options Available

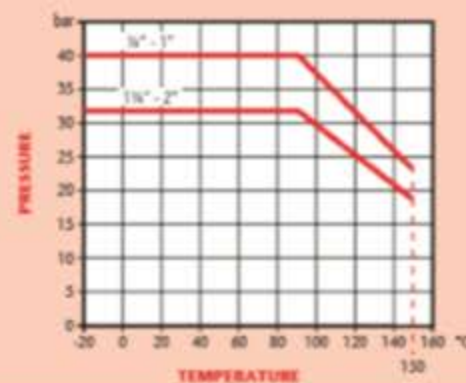
Pressure/Temperature



Technical Data

Max Pressure	1/4"-1"	40 Bar
	1 1/4"-2"	32 Bar
Working Temperature	-20°C to +150°C	

Pressure / Temperature



DN	1/4"	3/8"	1/2"	3/4"	1"	1 1/4"	1 1/2"	2"
D	10	10	15	20	25	32	40	50
F	10	12	15	16	19	20.5	21.5	24.5
S	42	54	70	80	92	102	117	137
H	41	41	54	58	66	71	80	88
L	80	80	90	90	125	125	140	140
L1	52	52	62	62	72			
L2	95	95	120	120	150	150	160	160
Ch	21	21	26	31	38	48	55	68
Kgs	0.11	0.13	0.27	0.37	0.62	0.93	1.35	2.14

N.	Part Name	Materials
1	Body	Brass/Nickel Plated
2	Body End	Brass/Nickel Plated
3	Seat	PTFE
4	Ball	Brass/Chrome Plated
5	Stem	Brass
6	'O' Rings	FP
7	Stem Seat	PTFE
8	Packing Nut	Brass
9	Lever	Steel/PVC-Plastic Coated
9/1	Lockable Lever	Steel/PVC-Plastic Coated
10	Nut	Steel/Zinc Plated