

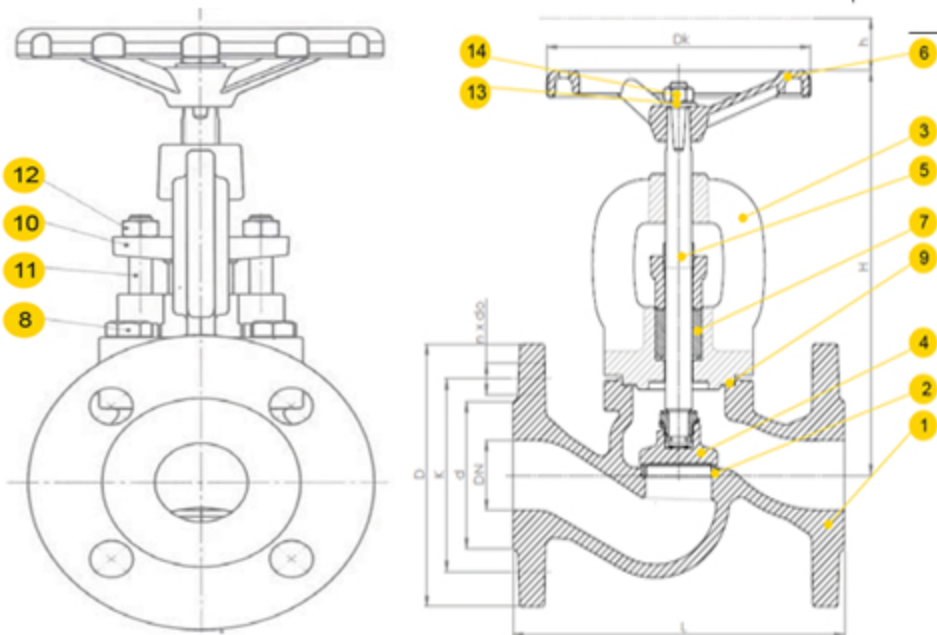
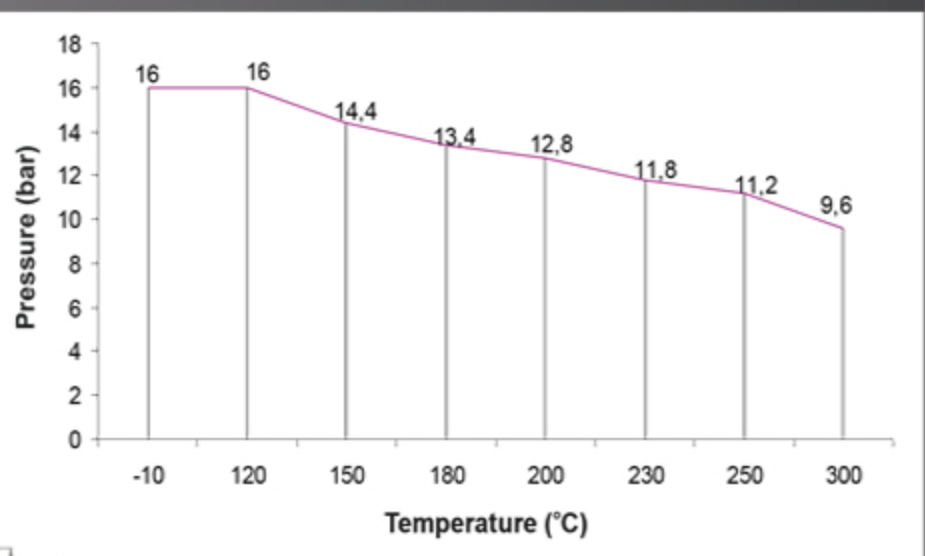
## Cast Iron Globe Valve - Flanged PN16

### Features

- Flanged PN16
- Cast Iron Body & Bonnet
- Stainless Steel Disc, Stem & Seat
- Graphite Packing



Pressure/Temperature Graph



### Material Specifications

No.	Component	Material
1.	Body	EN GJL 250 Cast Iron
2.	Seat Ring	X12Cr13
3.	Bonnet	EN GJL 250 Cast Iron
4.	Disc	X20Cr13
5.	Stem	X20Cr13
6.	Hand Wheel	EN GJS 500-7 Cast Iron
7.	Gland Packing	Graphite
8.	Hexagon Bolt	8.8 Steel
9.	Gasket	Graphite & NiCr
10.	Gland	EN GJL 250 Cast Iron
11.	T Bolt	Zinc Galvanized 5.8 Steel
12.	Nut	Zinc Galvanized 8 Steel
13.	Washer	Zinc Galvanized Carbon Steel
14.	Nut	Zinc Galvanized 8 Steel

### Dimensions

Size	D	d	K	nxd	Dk	h	L	H	Kv	Kg
1/2"	95	46	65	4x14	100	5	130	167	5.9	3.3
3/4"	105	56	75	4x14	100	5.5	150	167	7.4	3.9
1"	115	65	85	4x14	120	7	160	175	13.0	5.0
1 1/4"	140	76	100	4x19	120	14	180	186	18.0	6.6
1 1/2"	150	84	110	4x19	160	20	200	235	30.0	8.4
2"	165	99	125	4x19	160	25	230	248	41.0	12.0
2 1/2"	185	118	145	4x19	180	35	290	260	79.0	17.3
3"	200	132	160	8x19	200	41	310	291	115.0	22.7
4"	220	156	180	8x19	250	31	350	338	181.0	35.8
5"	250	184	210	8x19	250	48	400	384	225.0	52.8
6"	285	211	240	8x23	320	54	480	429	364.0	74.2
8"	340	266	295	12x23	360	77	600	529	690.0	126.0
10"	405	319	355	12x28	360	120	730	638	1010.0	200.0
12"	460	370	410	12x28	500	120	850	710	1460.0	315.0