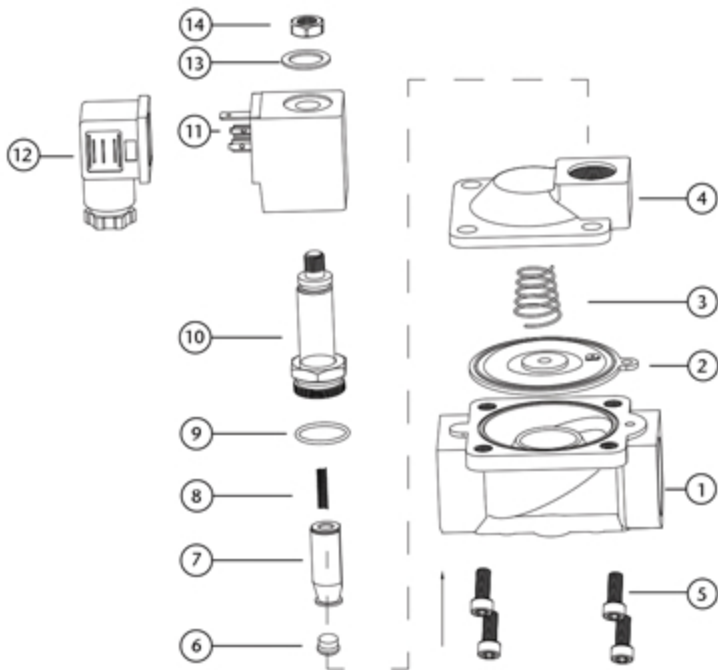




Parts Diagram



N.	Component	Material
1	Valve Body	Brass/Stainless Steel 316
2	Diaphragm	NBR/EPDM/Viton
3	Diaphragm Spring	Stainless Steel 304
4	Valve Cover	Brass/Stainless Steel 316
5	Bolt	Stainless Steel 302
6	Pilot Seal	NBR/EPDM/Viton
7	Pilot	Stainless Steel 1J117
8	Pilot Spring	Stainless Steel 304
9	O Ring	NBR/EPDM/Viton
10	Plunger Tube Unit	Stainless Steel 304 + 1J117
11	Coil	Enamelled Wire
12	Plug	Nylon
13	Washer	Stainless Steel 302
14	Lock Nut	Stainless Steel 302

Available in 230VAC, 110VAC
12VDC, 24VDC, 24VAC

Thread standard: ISO 228/1

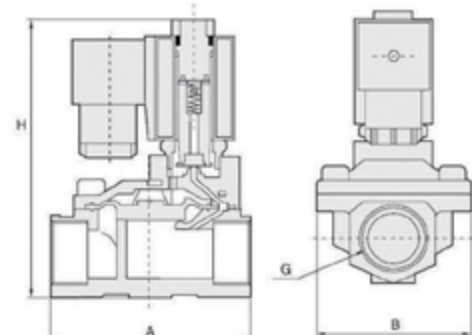
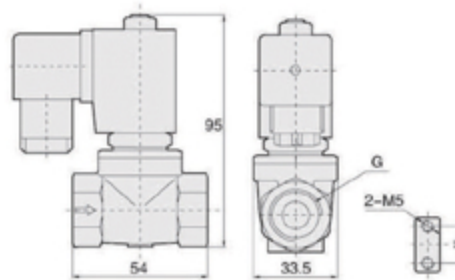
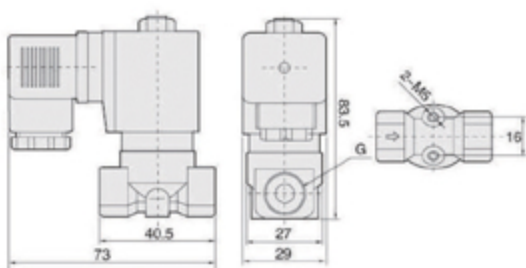
Coil Rating - IP 65
Coil Duty Cycle - 100%

Main Dimensions

Orifice: 3mm & 4mm
Port: 1/8", 1/4" & 3/8"

Orifice: 10.5mm
Port: 1/4", 3/8" & 1/2"

Large Orifice
See Table opposite



Valve Specification

Port Size (G)	Orifice	CV Value	Pressure Difference (Bar)				Max. Temp. (°C)	VA AC 230V	W DC 24V	Diaphragm	Main Dimension
			Min.	Max. Working Pressure							AxBxH
				Air / Gas	Water / Hot Liquid	Light Oil ≤20CST					
1/8"	3	0.23	0	13	13	10	80	22	13	NBR	-
	3	0.23	0	13	13	-	120	22	13	EPDM	-
	3	0.23	0	13	13	10	120	22	13	VITON	-
1/4"	3	0.23	0	13	13	10	80	22	13	NBR	-
	3	0.23	0	13	13	-	120	22	13	EPDM	-
	3	0.23	0	13	13	10	120	22	13	VITON	-
	10.5	1.47	0	16	16	13	80	22	13	NBR	-
	10.5	1.47	0	16	16	-	120	22	13	EPDM	-
	10.5	1.47	0	16	16	13	120	22	13	VITON	-
3/8"	3	0.3	0	13	13	10	80	22	13	NBR	-
	3	0.3	0	13	13	10	120	22	13	EPDM	-
	3	0.3	0	13	13	10	120	22	13	VITON	-
	4	0.6	0	8	8	6	80	22	13	NBR	-
	4	0.6	0	8	8	6	120	22	13	EPDM	-
	4	0.6	0	8	8	6	120	22	13	VITON	-
	10.5	1.68	0	16	16	13	80	22	13	NBR	-
	10.5	1.68	0	16	16	-	120	22	13	EPDM	-
	10.5	1.68	0	16	16	13	120	22	13	VITON	-
	13	4.5	0.5	16	16	13	80	22	13	NBR	66x48x112
	13	4.5	0.5	16	16	-	120	22	13	EPDM	66x48x112
	13	4.5	0.5	16	16	13	120	22	13	VITON	66x48x112
1/2"	10.5	1.75	0	16	16	13	80	22	13	NBR	-
	10.5	1.75	0	16	16	-	120	22	13	EPDM	-
	10.5	1.75	0	16	16	13	120	22	13	VITON	-
	13	4.5	0.5	16	16	13	80	22	13	NBR	66x48x112
	13	4.5	0.5	16	16	-	120	22	13	EPDM	66x48x112
	13	4.5	0.5	16	16	13	120	22	13	VITON	66x48x112
3/4"	20	7.6	0.5	16	16	13	80	22	13	NBR	75x58x118
	20	7.6	0.5	16	16	-	120	22	13	EPDM	75x58x118
	20	7.6	0.5	16	16	13	120	22	13	VITON	75x58x118
1"	25	12	0.5	16	16	13	80	22	13	NBR	96x70x131
	25	12	0.5	16	16	-	120	22	13	EPDM	96x70x131
	25	12	0.5	16	16	13	120	22	13	VITON	96x70x131
1.1/4"	35	22	0.5	16	16	13	80	22	13	NBR	131x96x146
	35	22	0.5	16	16	-	120	22	13	EPDM	131x96x146
	35	22	0.5	16	16	13	120	22	13	VITON	131x96x146
1.1/2"	40	30	0.5	16	16	13	80	22	13	NBR	131x96x146
	40	30	0.5	16	16	-	120	22	13	EPDM	131x96x146
	40	30	0.5	16	16	13	120	22	13	VITON	131x96x146
2"	50	48	0.5	16	16	13	80	22	13	NBR	165x120x167
	50	48	0.5	16	16	-	120	22	13	EPDM	165x120x167
	50	48	0.5	16	16	13	120	22	13	VITON	165x120x167
1" Flange Connection	25	12	0.5	16	16	13	80	22	13	NBR	134x110x160
	25	12	0.5	16	16	-	120	22	13	EPDM	134x110x160
	25	12	0.5	16	16	13	120	22	13	VITON	134x110x160
1.1/4" Flange Connection	35	22	0.5	16	16	13	80	22	13	NBR	160x135x175
	35	22	0.5	16	16	-	120	22	13	EPDM	160x135x175
	35	22	0.5	16	16	13	120	22	13	VITON	160x135x175
1.1/2" Flange Connection	40	30	0.5	16	16	13	80	22	13	NBR	160x145x180
	40	30	0.5	16	16	-	120	22	13	EPDM	160x145x180
	40	30	0.5	16	16	13	120	22	13	VITON	160x145x180
2" Flange Connection	50	48	0.5	12	12	13	80	22	13	NBR	200x160x207
	50	48	0.5	12	12	-	120	22	13	EPDM	200x160x207
	50	48	0.5	12	12	13	120	22	13	VITON	200x160x207
2.1/2" Flange Connection	65	52	0.5	12	12	8	80	33	20	NBR	250x185x250
	65	52	0.5	12	12	-	120	33	20	EPDM	250x185x250
	65	52	0.5	12	12	8	120	33	20	VITON	250x185x250
3" Flange Connection	80	80	0.5	12	12	8	80	33	20	NBR	270x202x262
	80	80	0.5	12	12	-	120	33	20	EPDM	270x202x262
	80	80	0.5	12	12	8	120	33	20	VITON	270x202x262
4" Flange Connection	100	128	0.5	12	12	8	80	33	20	NBR	342x222x287
	100	128	0.5	12	12	-	120	33	20	EPDM	342x222x287
	100	128	0.5	12	12	8	120	33	20	VITON	342x222x287