

Spirax Sarco 1/2" - 1" Bronze Y-Type Strainer Valve - Fig 12



Features

- Screwed Y-Type strainer
- Pressure rating: 25 bars
- Temperature rated: -198°C to +210°C

Fig 12
Sizes 1/2" to 1"

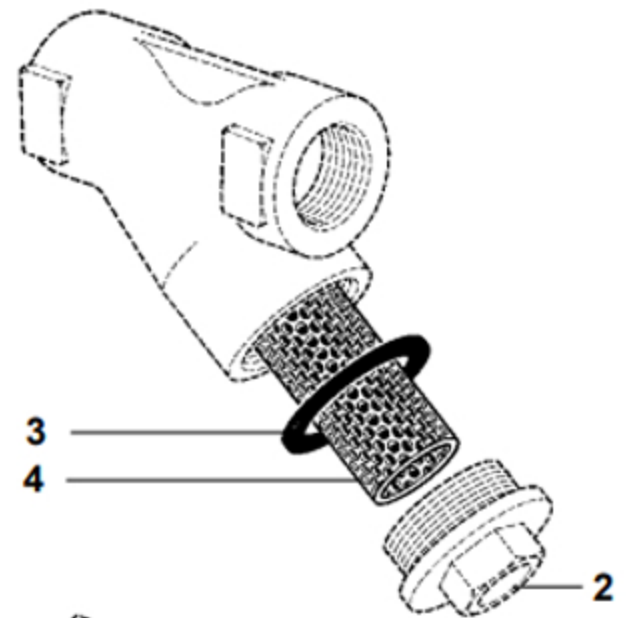


Fig 12
Sizes 1/2" to 1"

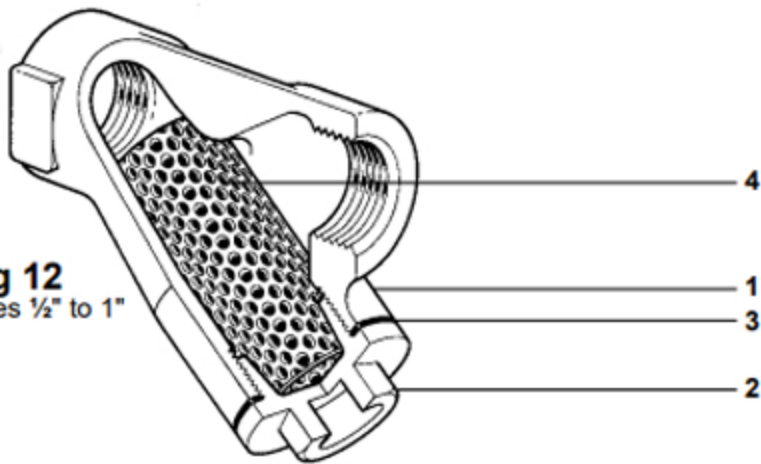


Fig 12
Sizes 3/8" and 1 1/4" to 2 1/2"

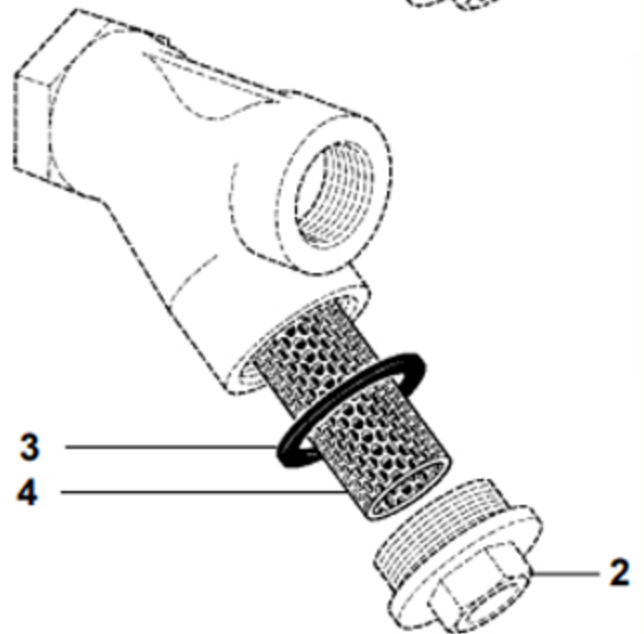
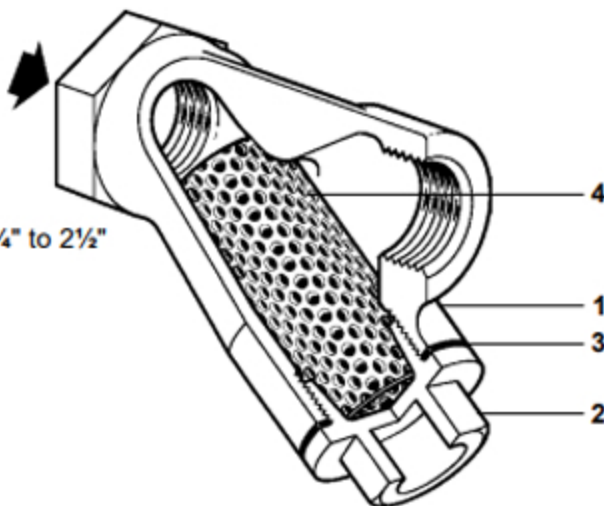


Fig 12
Sizes 3/8" and 1 1/4" to 2 1/2"



Materials

No.	Part	Material	
1	Body	3/8"	Brass EN 12165 CW617N
		1/2" to 3"	Bronze EN 1982 CC491K
2	Cap	3/8" to 2 1/2"	Brass EN 12165 CW617N
		3"	Bronze EN 1982 CC491K
3	Cap gasket	Reinforced exfoliated graphite	
4	Strainer screen	Stainless steel	ASTM A240 316 L
5	Cap studs	3"	Carbon steel BS 970 216 M28
	Cap nuts	3"	Carbon steel BS 1768 Gr. 1

Operating range

Fig 12 Strainer

