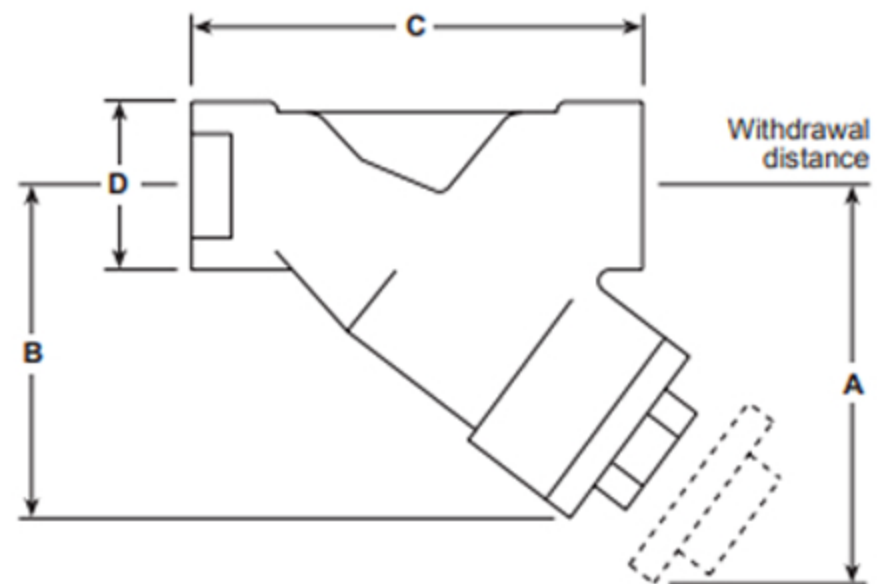
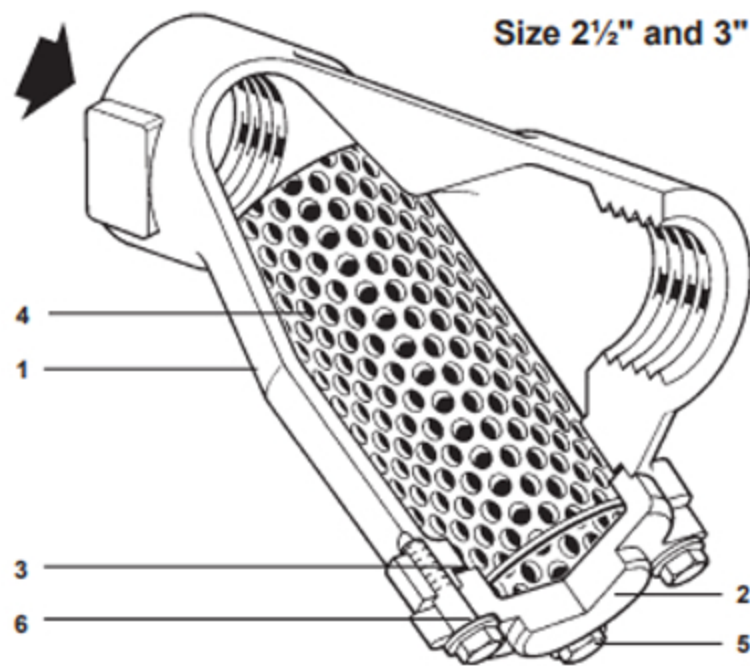
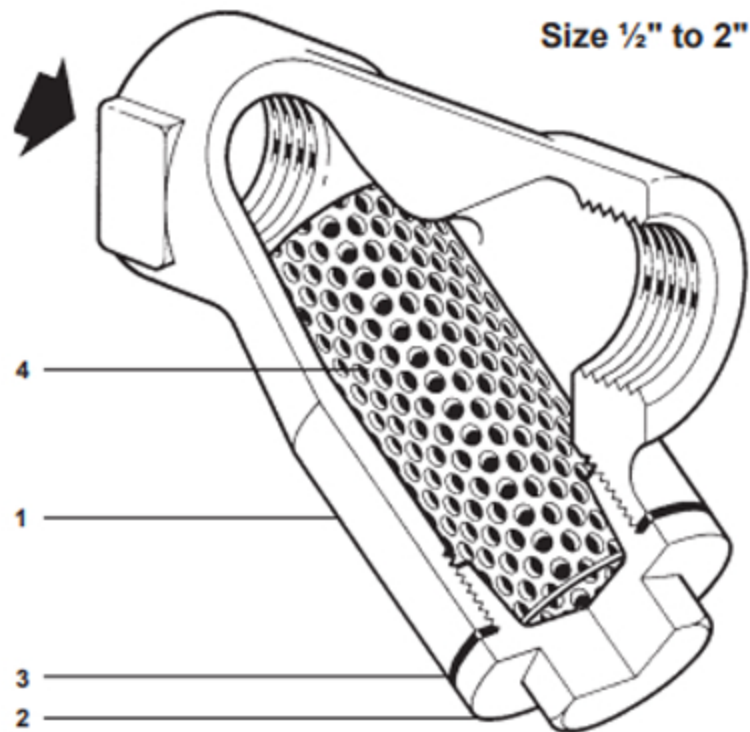


Spirax Sarco ½ - 2" Cast Iron Y-Type Strainer Valve Fig 12

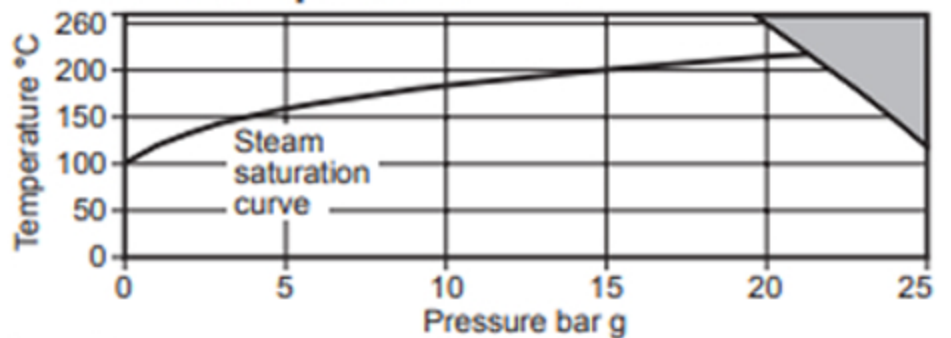


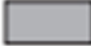
Features

- European Pressure Equipment Directive 97/23/EC Compliant
- DIN 1693 GGG 40 Body
- Stainless Steel 316L Strainer Screen
- Pressure rating - 16 bars
- Working temperature - 0°C to +300°C



Pressure/temperature limits



 The product must not be used in this region.

Materials

No.	Part	Material
1	Body	SG iron DIN 1693 GGG 40
2	Cap	Carbon steel 1.0460 and ASTM A105N
3	Cap gasket	Reinforced exfoliated graphite
4	Strainer screen	Stainless steel 316L
5	Bolt	Carbon steel BS 3692 Gr. 8.8
6	Washer	Carbon steel BS 4320 TI Form A