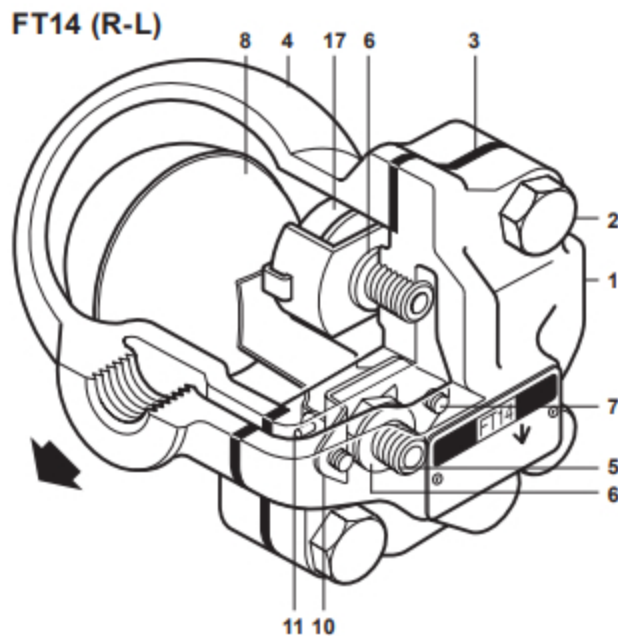
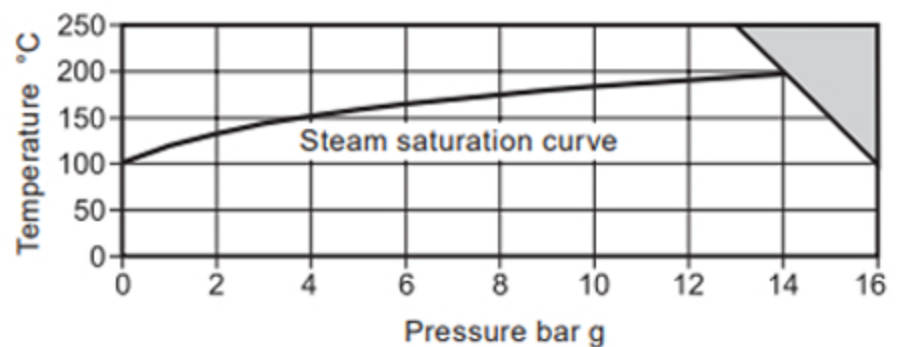


# Spirax Sarco 1" BSP Stainless Steel R-L-S Trap FT14



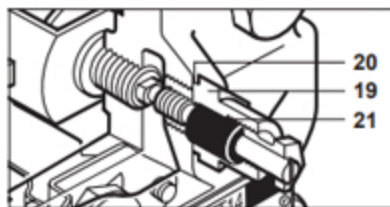
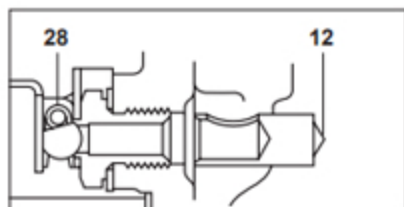
## Features:

- SG Iron EN 1563 Body
- Horizontal orientation
- High resistance to erosion
- Easy maintenance without disturbance of pipework



Main Valve Assembly 1"

FT14-C (R-L)



Body design conditions	PN16
PMA Maximum allowable pressure	16 bar g @ 100 °C
TMA Maximum allowable temperature	250 °C @ 13 bar g
Minimum allowable temperature	-10 °C
PMO Maximum operating pressure for saturated steam service	14 bar g
TMO Maximum operating temperature	250 °C @ 13 bar g
Minimum operating temperature	0 °C
ΔPMX Maximum differential pressure	FT14-4.5 4.5 bar
	FT14-10 10 bar
	FT14-14 14 bar

## Materials

No.	Part	Material
1*	Body	SG iron EN 1563 EN-GJS-400-15
2	Cover bolts	Steel BS 3692 Gr. 8.8
3	Cover gasket	Reinforced exfoliated graphite
4	Cover	SG iron EN 1563 EN-GJS-400-15
5	Valve seat	Stainless steel BS 970 431 S29
6	Valve seat gasket	Stainless steel BS 1449 409 S19
7	Pivot frame assembly screws	Stainless steel BS 6105 CI A2-70
8	Ball float and lever	Stainless steel BS 1449 304 S16
10	Pivot frame	Stainless steel BS 1449 304 S16
11	Pivot pin	Stainless steel
12*	Erosion deflector (DN25 only)	Stainless steel BS 970 431 S29
17	Air vent assembly	Stainless steel BS 1449 304 S19
18	Air vent seat gasket	Stainless steel BS 1449 409 S19
19	SLR assembly	Stainless steel BS 970 303 S21
20	SLR gasket	Stainless steel BS 1449 304 S16
21	SLR seal	Graphite
28	Valve spring (DN25 only)	Stainless steel BS 2056 302 S26

\* Note: Item 12 is pressed into item 1 (DN25 only).

Designed for a maximum cold hydraulic test pressure of 24 bar g