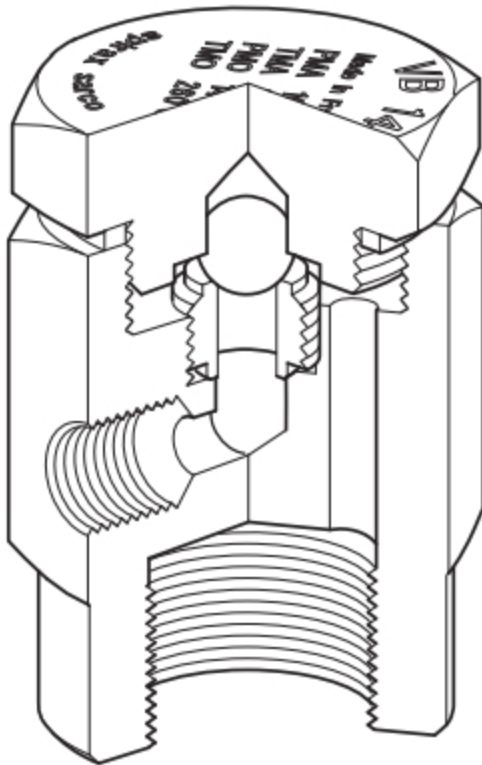


# Spirax Sarco 1/2" Brass BSP Vacuum Breaker VB14

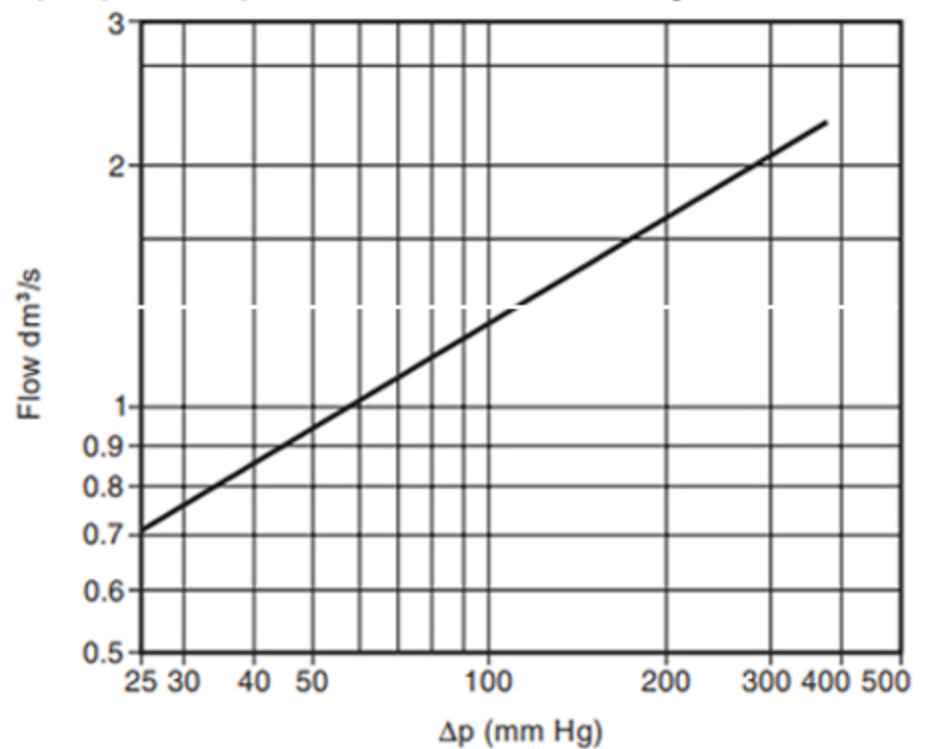


### Features:

- General purpose application vacuum breaker
- For use with Vapour/Steam/Liquid systems
- PN16 rated

### Capacity

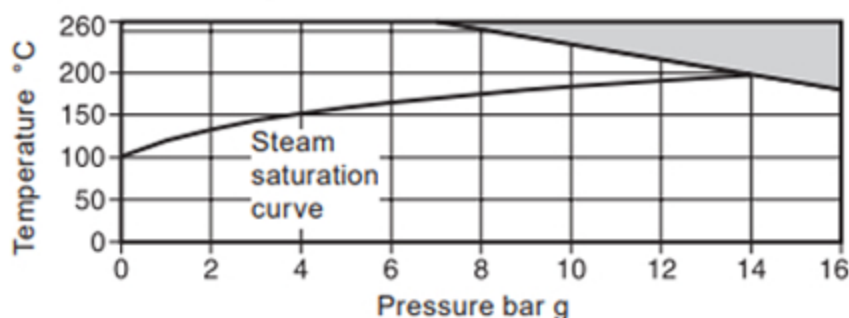
$\Delta p$  required to open vacuum breaker 4.6 mm Hg



Body design conditions	PN16
PMA Maximum allowable pressure	16 bar g @ 180 °C
TMA Maximum allowable temperature	260 °C @ 7 bar g
Minimum allowable temperature	-196 °C
PMO Maximum operating pressure for saturated steam service	14 bar g
TMO Maximum operating temperature	260 °C @ 7 bar g
Minimum operating temperature	0 °C

**Note:** For lower operating temperatures consult Spirax Sarco  
 Designed for a maximum cold hydraulic test pressure of 24 bar g

### Pressure/temperature limits



The product **must not** be used in this region.

### Materials

No. Part	Material	
1 Cap	Brass	Cu Zn 39 Pb3
2 Valve	Stainless steel	Z 100 CD 17
3 Valve seat	Stainless steel	Z15 CN 16 02
4 Body	Brass	Cu Zn 39 Pb3
5 Gasket	Stainless steel	AISI 304