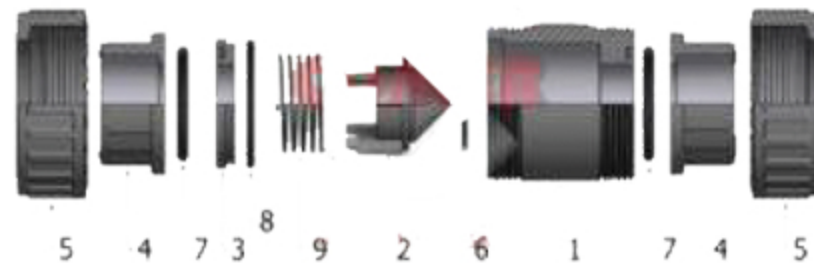
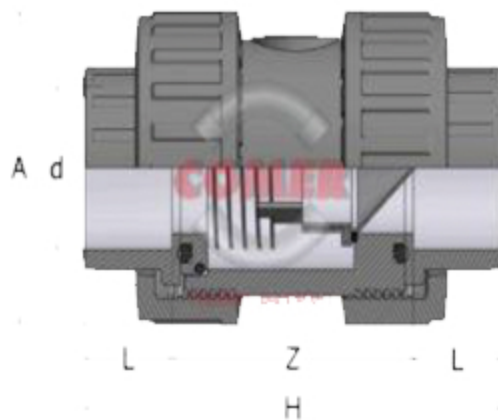


CVD13

CHECK VALVE w/ FEMALE PLAIN ENDS BS

Features

U-PVC one flow direction check valves with female ends for solvent welding BS EN ISO 1452. EPDM seals. Working pressure PN16 from D.3/8" up to D.2", PN10 from D.2"1/2 up to D.4"



Codice/C ode	d	DN	L	Z	H	A	class	Gr	Pack	Box
CVD1301 6	3/8"	10	14	53	81	50	E	120	50	S
CVD1302 0	1/2"	15	16	49	81	50	E	110	50	S
CVD1302 5	3/4"	20	19	56	94	60	E	168	32	S
CVD1303 2	1"	25	22	63	107	68	E	246	22	S
CVD1304 0	1"1/4	32	26	72	124	80	E	360	27	M
CVD1305 0	1"1/2	40	31	84	146	96	E	552	18	M
CVD1306 3	2"	50	38	94	170	116	E	931	10	M
CVD1307 5	2"1/2	65	44	130	218	145	D	1740	5	M
CVD1309 0	3"	80	51	148	250	166	D	2810	3	M
CVD1311 0	4"	100	61	168	290	210	D	4690	2	M

Pos.	Components	N°	Material
1	body	1	PVC
2	shutter	1	PVC
3	sealing bush	1	PVC
4	union	2	PVC
5	union nut	2	PVC
6	gasket	1	EPDM
7	union O-ring	2	EPDM
8	O-ring sealing bush	1	EPDM
9	spring	1	INOX