

Installation Guide

BASALT NINE PENDANT

Thoughtful lighting, responsibly designed in London.

Thank you for making the switch to Tala.
Discover the full Tala family at us.tala.co.uk

BEFORE STARTING

We recommend the installation of our canopy and pendants is performed by a qualified electrician. Please read the instructions thoroughly before commencing work and keep them for future reference. Please take extreme care when carrying out these instructions.

IMPORTANT

This light fitting must be connected to the earth supply. If your lighting circuit does not have an earth, ask a qualified electrician to provide an earth facility. This light fitting is suitable for indoor use only. This fitting operates on 120V mains voltage. For a list of recommended dimmers to pair with this light fitting, please visit our website.

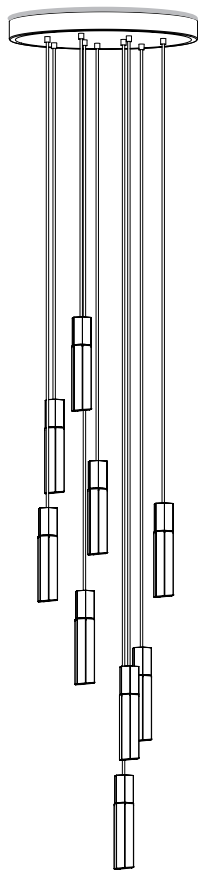
WARNING

You must switch off electricity supply at the mains during installation and maintenance. We strongly recommend that you withdraw the fuse or switch off the circuit breaker whilst work is in progress. Do not only turn off the wall switch. All fittings must be installed in accordance with current NFPA 70, National Electrical Code (NEC).

RECOMMENDED EQUIPMENT

- Small flat head screwdriver
- Wire strippers
- Insulation tape

Further equipment may be required for fixing to your ceiling



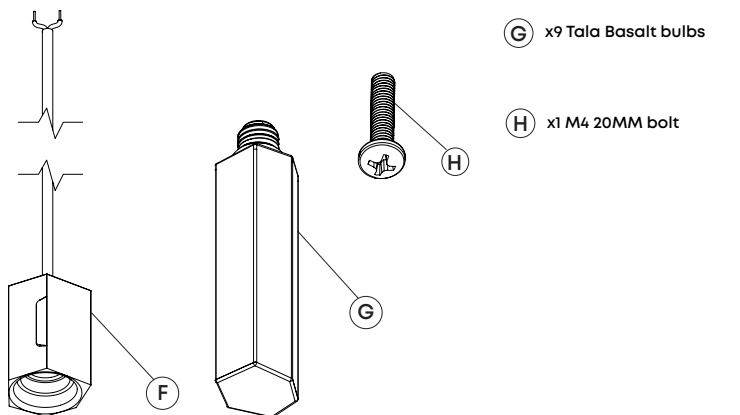
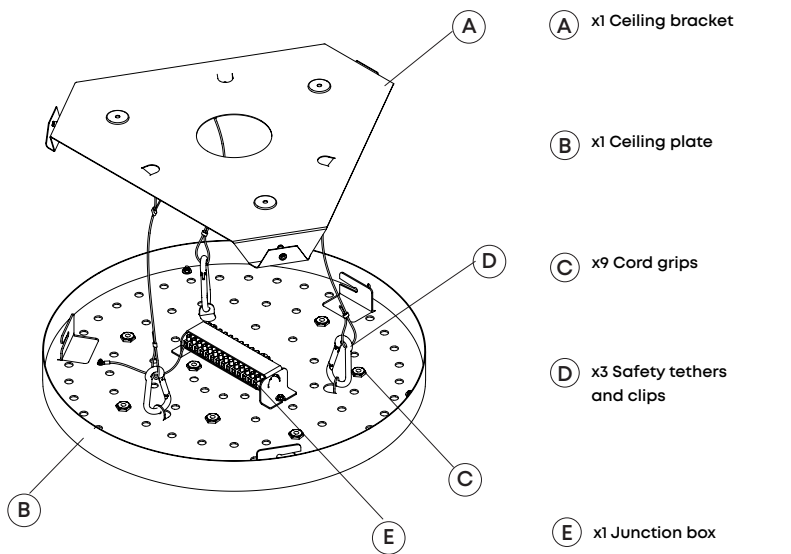
Scan me for more
technical help

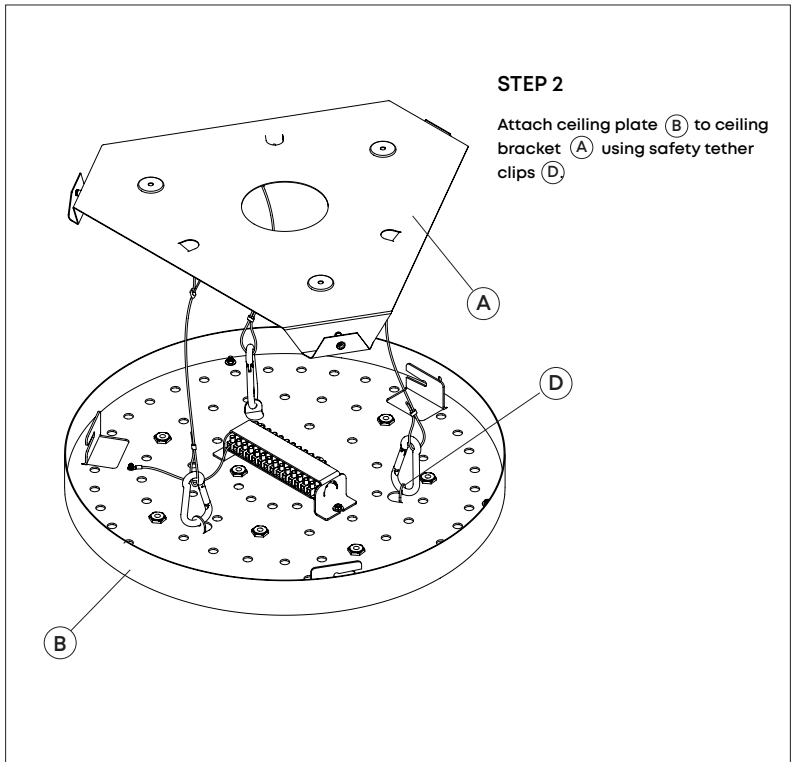
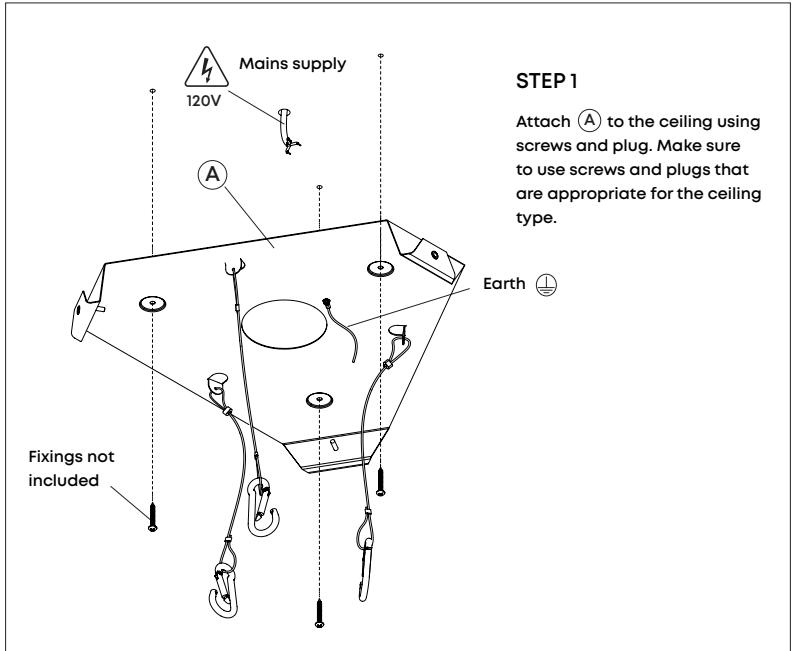


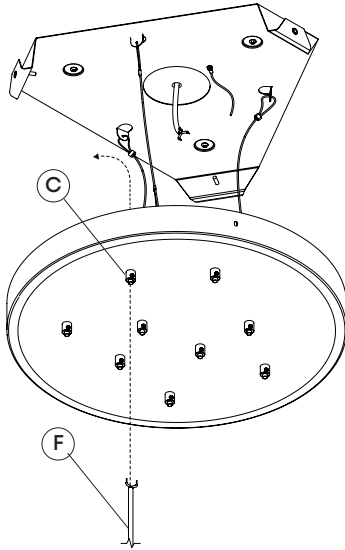
Intertek
5018709



Nine Pendant - Provided Components

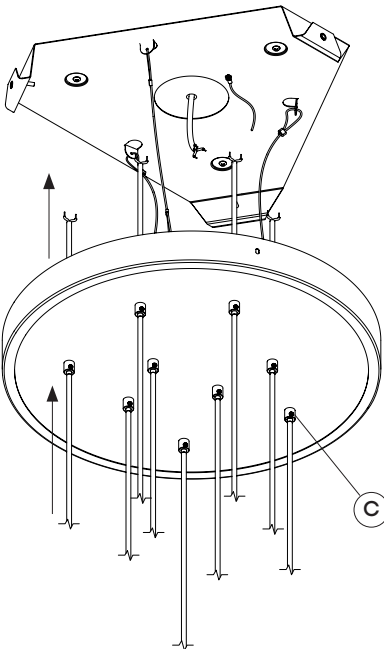






STEP 3

Thread all nine pendant cables (F) through ceiling plate cord grips (C).



STEP 4

Pull cables through to your desired length. See end of this guide for our recommended lengths and distance between bulbs.

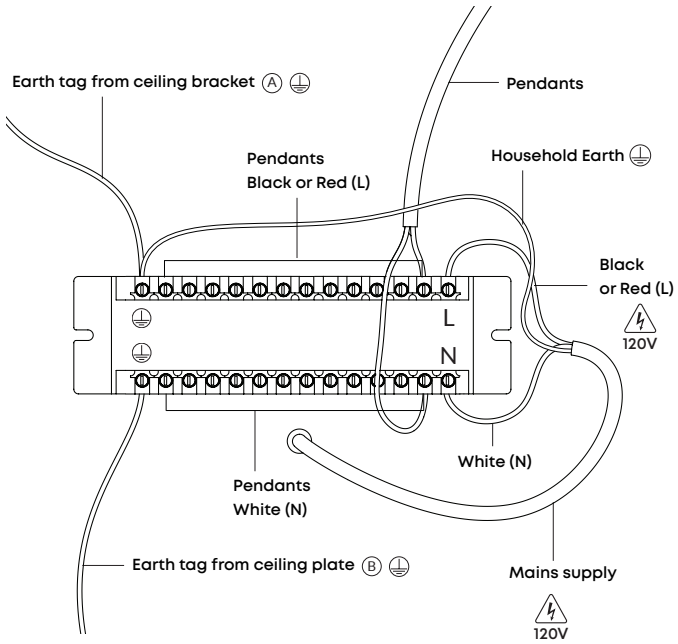
Using a flat head screwdriver, tighten set screws (C) to secure them.

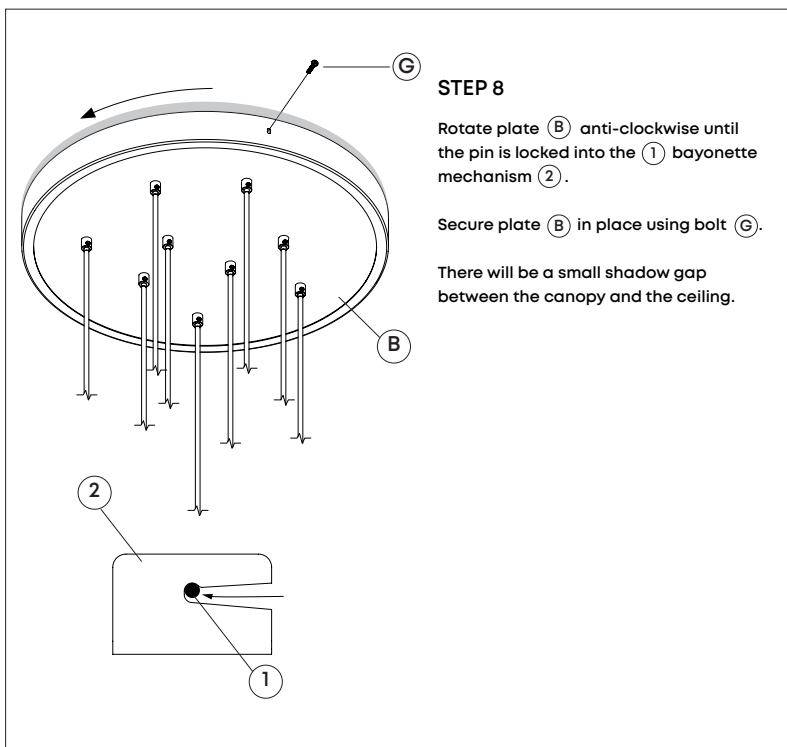
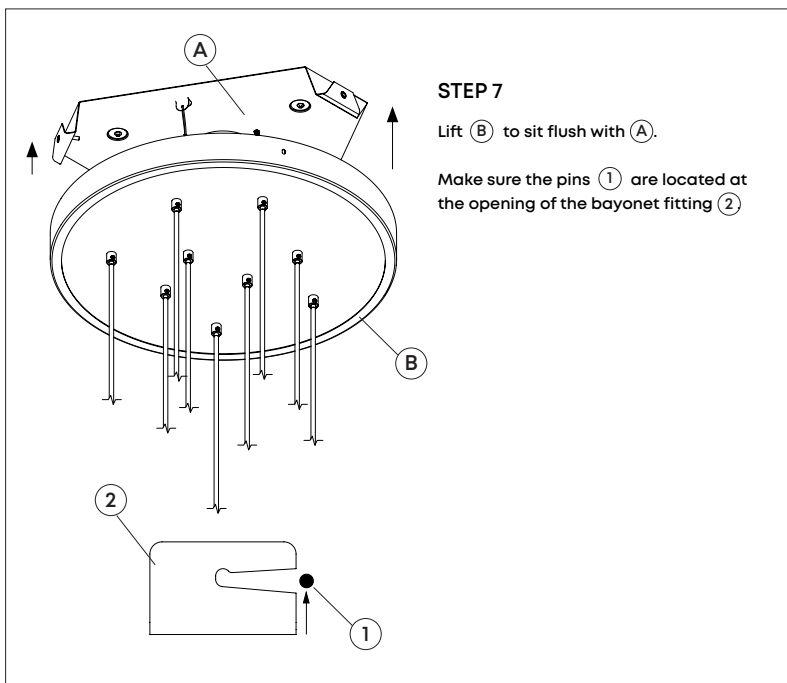
STEP 5

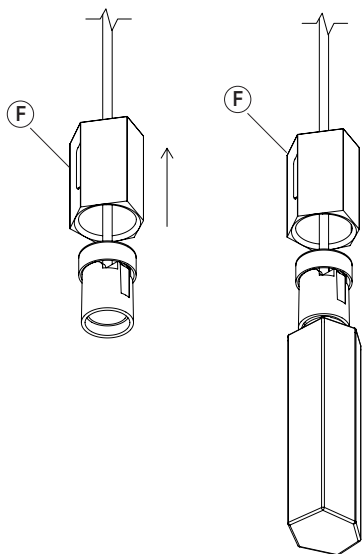
Cut off excess cable and strip wires to expose the copper core. Maintain all double insulation.

STEP 6

Connect the pendants, plate and mains wiring as shown.



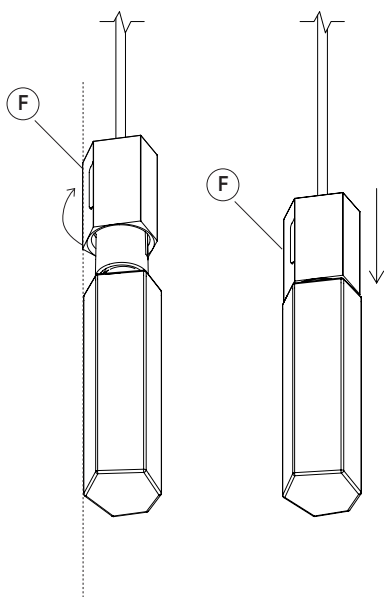




STEP 9

Lift the metal pendant sleeve (F) and screw the bulb firmly into the socket.

Take care to prevent the metal sleeve from dropping onto the glass bulb.

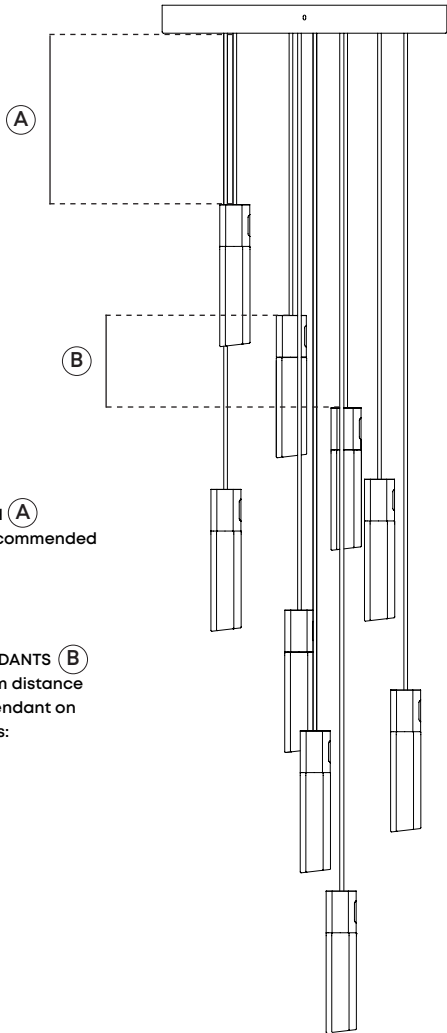


STEP 10

Rotate metal sleeve (F) to align with the contours of the bulb.

Carefully lower the metal sleeve (F) to sit flush with the bulb and make final tweaks to the alignment to achieve intended design.

Pendants Display Guide

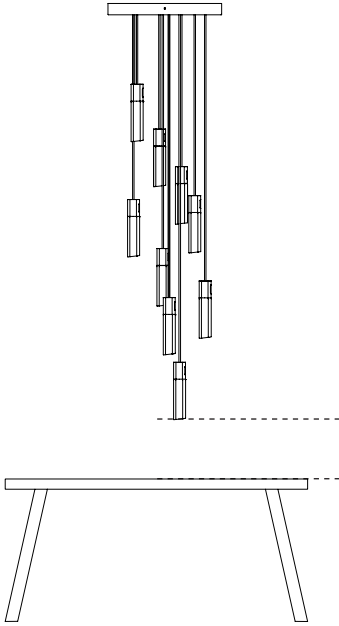


MINIMUM CORD LENGTH (A)
For all bulbs shortest recommended
cord length is 14 in

DISTANCE BETWEEN PENDANTS (B)
Recommended minimum distance
between pendant, dependant on
bulb style, are as follows:

- Voronoi I - 6 in
- Voronoi II - 8 in
- Voronoi III - 1' in
- Basalt - 4 in
- All other bulbs - 4 in

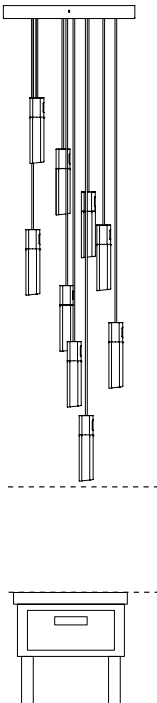
PENDANTS - RECOMMENDED CABLE LENGTHS



SCENARIO 1

Above a coffee or dining table,
or where height is required for
seated tasks

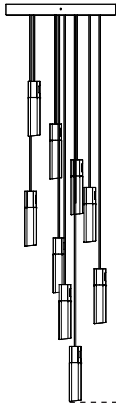
Minimum Distance
28 in



SCENARIO 2

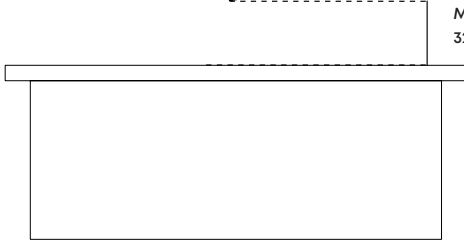
Above side tables, or where
height is required for storage

Minimum Distance
19 in

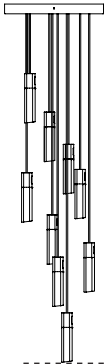


SCENARIO 3

Above a kitchen island or bar,
or where height is required for
standing tasks

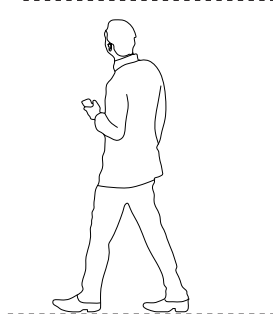


Minimum Distance
32 in



SCENARIO 4

Above a stairwell or walkway,
or where height is required for
walking underneath



Minimum Distance
7 Ft

WARRANTY AND AFTER-CARE

This product has a two-year warranty. If there appears to be a functional defect with the product during this time, please contact our team at customerservice@tala.co.uk.

Please note, the flexible cable attached to this luminaire cannot be replaced; if the cable is damaged, recycle the luminaire and seek a replacement.

Join the Community

Instagram: @tala | Facebook: talaHQ | Pinterest: TalaLED | Tag: lighttoliveby

Tala Energy Ltd. 25B Vyner Street, London, E2 9DG | hello@tala.co.uk

Tala North America, Inc., 2 Research Place, Suite 300, Rockville, MD 20850