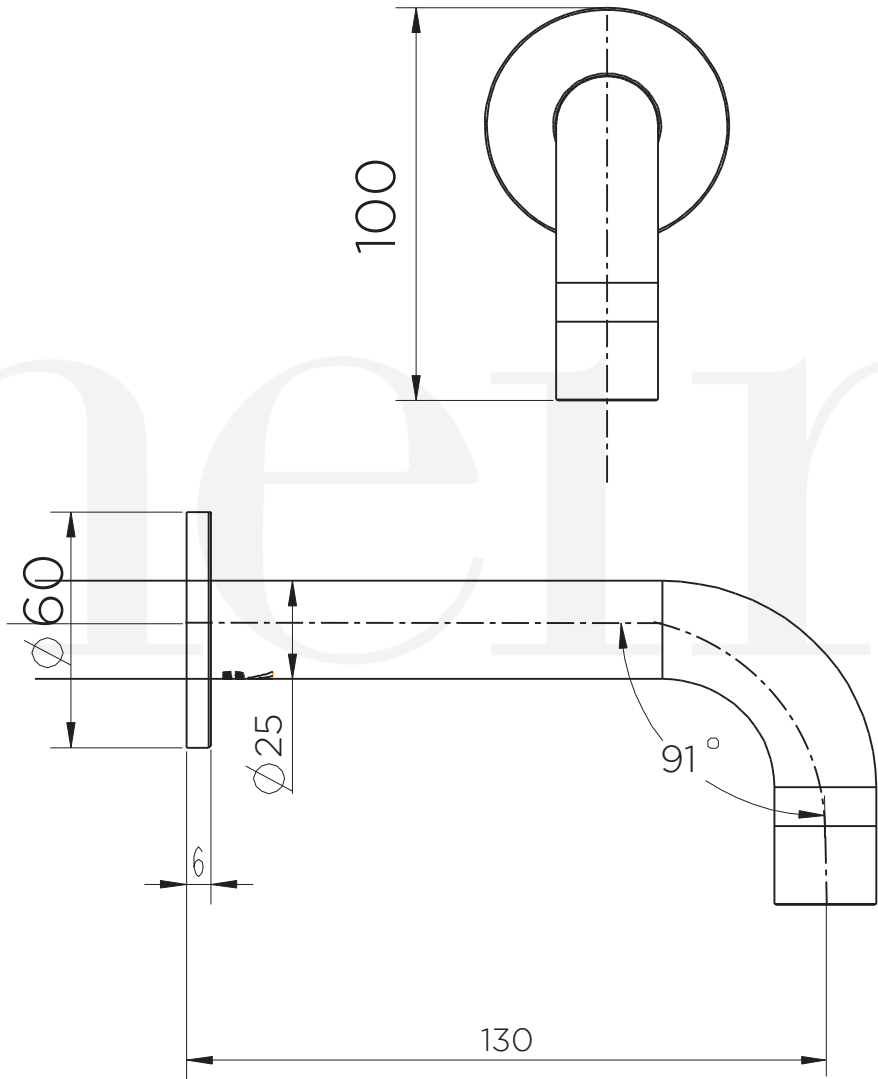


1/2" BSP female
thread water inlet



\varnothing Circle