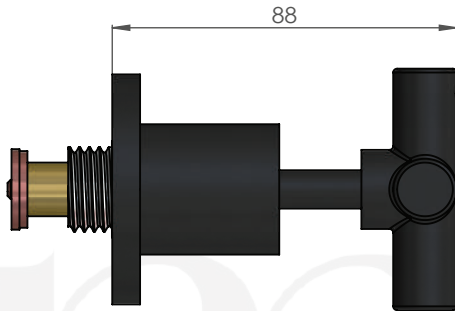
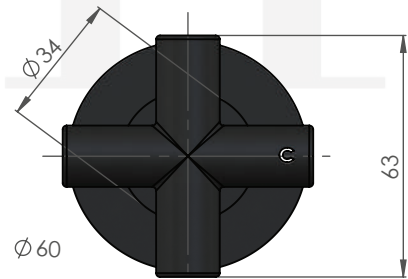
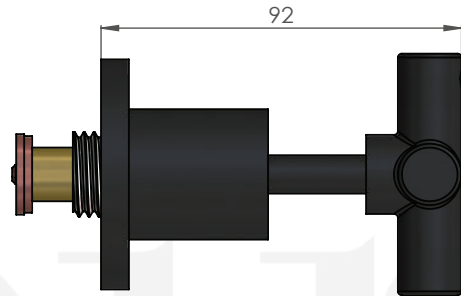


CLOSED POSITION



OPEN POSITION



C Cold  
H Hot  
Ø Circle

Does not include  
concealed/inwall fittings.