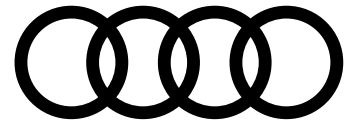


Q5

Sportback



 **PREMIUM AUTOMOBILES**

281 Alexandra Road Singapore 159938 Tel: 6836 2223
55 Ubi Road 1 Singapore 408699 Tel: 6366 2323

TECHNICAL DATA

Q5 Sportback advanced 2.0 TFSI quattro S tronic

ENGINE

Propellant	Petrol
Type	4-cylinder inline engine with turbocharging and intercooling
Valves	16
Engine capacity	1,984
Max output kW (hp)/rpm	183 (249) / 5,000 – 6,000
Max torque Nm/rpm	370 / 1,600 – 4,500

TRANSMISSION

Gearbox	7-speed S tronic transmission
Drive	quattro with ultra technology

PERFORMANCE

Acceleration 0-100km/h	6.3
Top speed (km/h)	237
Fuel consumption (combined) in l/100km	8.0
VES banding	C1
Start/stop system	Yes

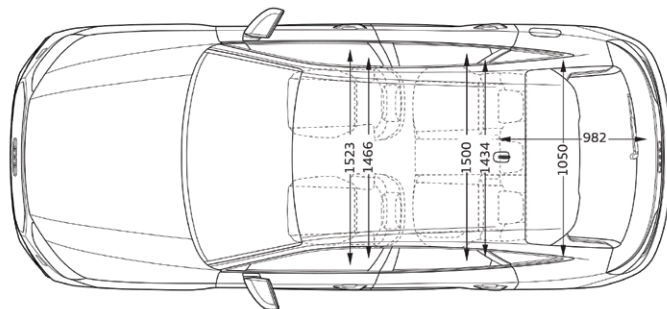
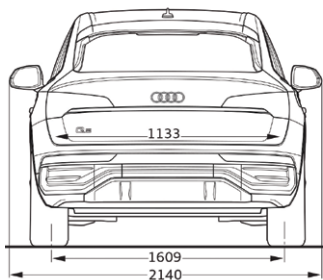
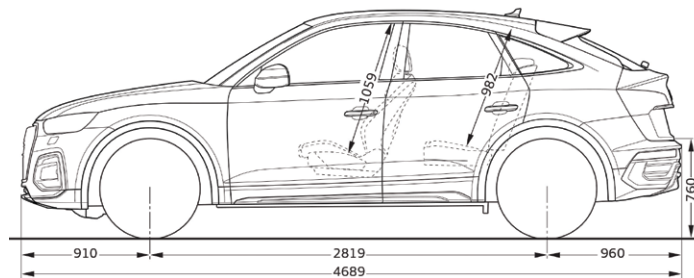
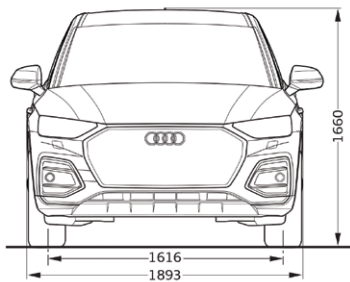
CHASSIS

Steering	Electromechanical power steering
Front suspension	Multi-link
Rear suspension	Multi-link

BRAKES

Front	Ventilated discs
Rear	Ventilated discs
Braking assistance	Anti-lock Braking System (ABS)

Measurements (All in mm)



Dimensions are based on technical data from Audi Germany.
Actual specifications may vary from models shown.

Wheelbase	2,819
Length	4,689
Height	1,660
Width (mirrors folded/unfolded)	1,893 / 2,140
Track (front/rear)	1,616 / 1,609
Turning circle (m)	11.8
Kerb weight (kg)	1,770
Luggage volume (litres)	510
Fuel tank (litres)	70

STANDARD EQUIPMENT

	Q5 Sportback advanced 2.0 TFSI quattro S tronic
SAFETY	
Front side airbags with head airbag system	•
Full-size airbags with front passenger airbag deactivation	•
TECHNOLOGY AND ASSISTANCE SYSTEMS	
12V mild hybrid system	•
Audi drive select with efficiency mode	•
Audi pre sense rear	•
Cruise control	•
Hold assist	•
Luggage compartment lid, electrically opening and closing	•
Lane change assist	•
Park assist with 360 degree cameras	•
Sport suspension	•
EXTERIOR DESIGN	
Exterior mirrors electrically adjustable, heated and folding, automatically dimming with memory function on both sides	•
High gloss package	•
LED daytime running lights	•
LED headlights with headlight washers	•
LED rear lights	•
Stainless steel loading edge protection	•
WHEELS	
Audi sport alloy wheels, 5-arm pylon style in matte titanium grey, diamond turned, 8.0J x 19 with 235/55 R19 tyres	•
Collapsible spare wheel	•
Tyre pressure loss indicator	•
COMFORT	
3-zone deluxe automatic air conditioning	•
Ambient lighting package plus	•
Electrically adjustable front seats with 4-way lumbar support and memory function for driver's seat	•
Manual blinds for rear side windows	•
Seat upholstery in leather/leatherette mono.pur 550 combination	•
Side and rear windows in heat insulating glass	•
Storage and luggage compartment package	•
INTERIOR DESIGN	
3-spoke leather steering wheel with multifunction plus	•
Accent surfaces painted in matte black	•
Decorative inserts, aluminium rhombus	•
Frameless interior mirror with automatic dimming	•
Front door sill trims with aluminium inlays	•
INFOTAINMENT	
8 speakers	•
Audi connect*	•
Audi smartphone interface	•
Audi virtual cockpit plus	•
MMI navigation plus with MMI touch	•

Audi virtual cockpit plus



Ambient lighting package plus



Foldable rear seats with up to 1,480 litres of luggage space



Actual specifications may vary from model shown.

*Audi connect – Audi connect navigation and infotainment, Audi connect emergency call and service with Audi connect remote and control.

Information is accurate as at July 2021.