

REM (UK) Limited, Glenfield Mill, Glenfield Road, Nelson, Lancashire BB9 8AW T: +44 (0)1282 619 977 F: +44 (0)1282 619 617 E: sales@rem.co.uk W: www.rem.co.uk

Product Codes:

- 05246.000 - Pendle Easy Wash

Standard Equipment:

- Backwash - Sumo basin including pre-plumbing (flexi waste)
- Frontwash - Frontwash basin including pre-plumbing (flexi waste)
- Monobloc mixing valve and hand spray
- Unique water saving shower head

Optional Equipment:

- Basin neck cushion (backwash)
- Bottle trap
- Hair trap

Main Construction:

- Timber construction finished in high pressure laminate from the REM laminate range
- Basin: Porcelain

Finish:

- Any laminate from the REM range.

Features:

- Choice of any REM laminates
- Upper mirror & open storage section
- Front wash (DDA) and back wash basins
- Lower storage with basket and cupboards

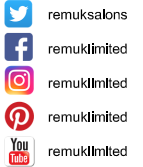
Plumbing Details:

Included:

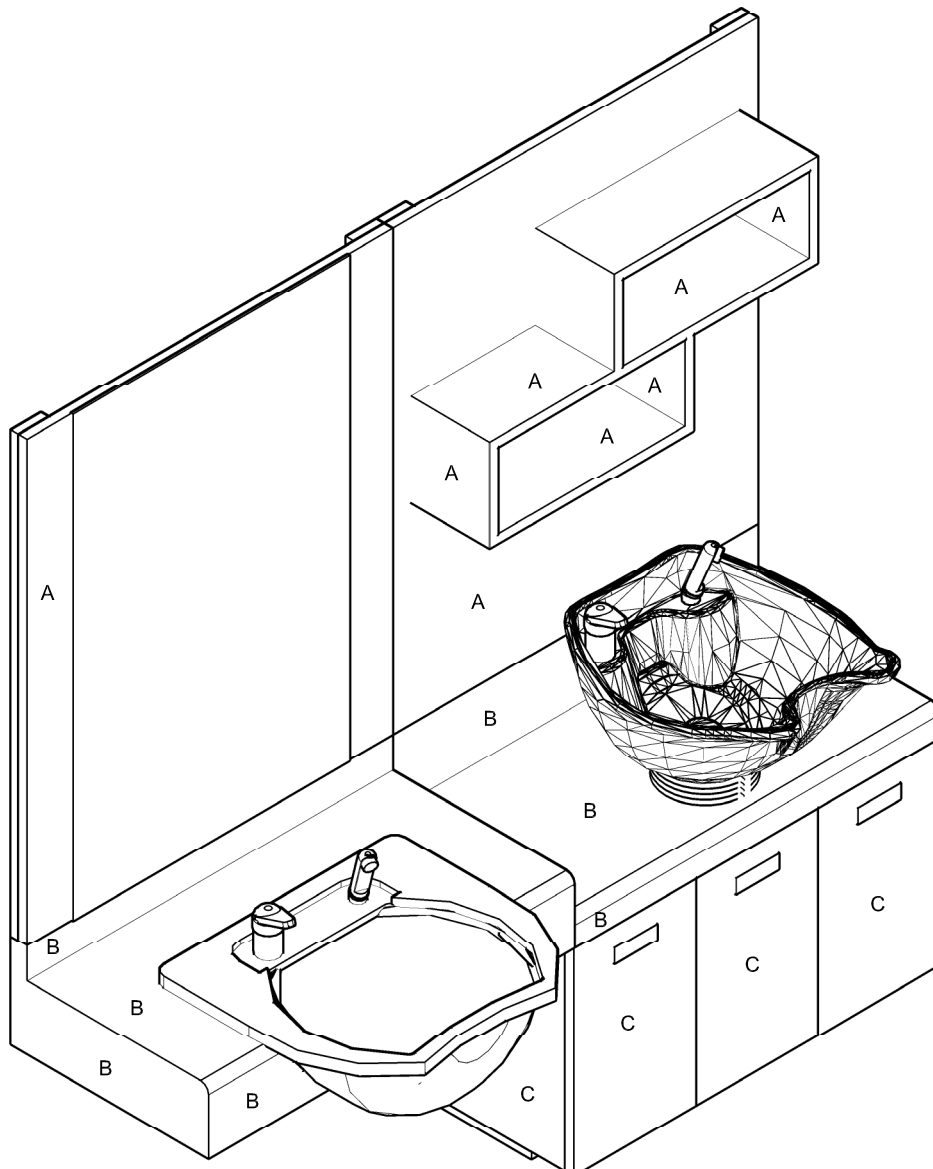
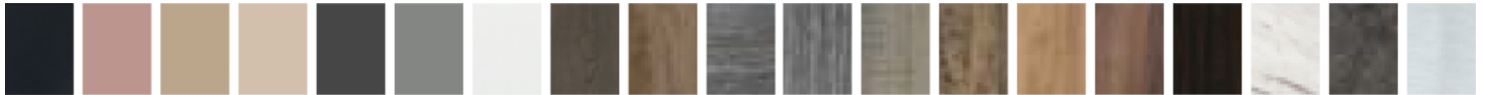
- Hot & cold flexi pipe - to fit 15mm copper pipe
- Flexi Waste - 1 ¼ (32mm)

Optional Extra:

- Bottle Trap A10A - 1 ¼ (32mm)



Laminate Finish Options:



A = Laminate
B = Laminate
C = Laminate

Optional extras must be clearly detailed at time of order.