

pietranera[®]
ITALIAN DESIGN & PRODUCTION

INSTRUCTIONS FOR USE, INSTALLATION AND
ROUTINE MAINTENANCE



FABLE
SHAMPOO-BED

CONTENTS

INTRODUCTION.....	3
PREREQUISITES.....	4
INTENDED USE.....	4
CONTRAINDICATIONS OF USE	5
DEFINITION.....	5
SAFETY	5
LIFTING AND TRANSPORT	5
TECHNICAL SPECIFICATIONS	6
TRANSPORT AND STORAGE	6
DIMENSIONS AND INSTALLATION PLAN	7
MIXER SPECIFICATIONS	8
THERMOSTATIC MIXER SPECIFICATIONS	8

INSTALLATION

PREPARATION	9
WATER AND ELECTRICAL CONNECTION	10

USE

SWITCHING ON THE SHAMPOO-BED	11
COMFORT RELAX BACKREST CONTROLS	11
AIR JET MASSAGE CONTROLS	12
THERMIC HEATED MATTRESS CONTROL	13
USING NECK RESTS WITH GEL BALLS	14
DISASSEMBLING THE MIXER AND HAND SHOWER	14
REMOVING THE GEL NECK REST	15
USING THE REGULAR AND SMALL PALETTE TRAYS	15
USING THE HEADREST/FACE CUSHION	16
USING THE CUSHIONS (TRAPEZOIDAL, CYLINDRICAL AND SEMI-CYLINDRICAL)	16
USING THE STEP	17
USING THE PAPER-ROLL HOLDER	17
USING THE SERVICE TROLLEY	18

MAINTENANCE

DISCONNECTION FOR MAINTENANCE	18
ROUTINE MAINTENANCE	18
IDENTIFICATION OF THE EQUIPMENT	20
INSTRUCTIONS FOR DISPOSAL	21

INTRODUCTION

Thank you for purchasing a Pietranera product. we are certain you will be fully satisfied with your choice.

Pietranera products are manufactured according to strict quality standards using only the best components.

The operation and safety of each Fable shampoo-bed were tested in painstaking detail before shipment.

Check that the shampoo-bed was not damaged during transport in a manner that could impair its operation and safety.

You are advised to follow the instructions contained in this manual carefully for the best reliability, long life and top-notch performance of the shampoo-bed.

This manual is designed to allow you to use the Fable shampoo-bed in the best and safest manner. It is therefore an integral part of the shampoo-bed. It must be kept carefully throughout the duration of the shampoo-bed and accompany the shampoo-bed if it is transferred to a new user.

To avoid problems, read this manual carefully before carrying out any operation on the shampoo-bed and follow the instructions scrupulously.

The manufacturer accepts no liability for damage caused by negligence and/or failure to observe the instructions in this manual.

Without prejudice to the main technical and safety features, the manufacturer reserves the right to make changes to the shampoo-bed for reasons of continual technical and technological evolution without prior notice, without incurring any penalty.

The partial or total reproduction of this manual, including texts and illustrations, is prohibited by law.

The Court of Reggio Emilia (Italy) is competent in case of disputes.

PREREQUISITES

The following requirements must be observed for a correct and safe installation of the equipment:

- The floor must comply with the laws and regulations in force in the place of use.
- The electrical system must comply with the laws and regulations in force in the place of use and be equipped with a differential switch to ensure the protection of persons against indirect electrical contacts.
- Do not connect devices that are not specified as part of the system.
- The power supply must be sized for the following specifications: 230-240 V, 50-60 Hz, 10A.
- In particular, earthing must be carried out following the laws and regulations in force in the place of use.
- **This equipment can only be used by the personnel who carry out the treatment (hairdresser, hairstylist, hair therapist, beautician, masseur, etc.), hereinafter referred to as the operator. Cleaning and maintenance must not be carried out by children without supervision.**
- **The treatment receivers can be adult persons as well as children from the age of 8 years and people with reduced physical, sensory or mental capacities or lack of experience and knowledge provided that they are supervised.**
- **Children must not be left unattended near the equipment.**
- **Cleaning and maintenance must only be carried out by persons qualified for this task.**
- **If the power cord is damaged, it must be replaced by the manufacturer, a technical assistance technician or qualified personnel.**
- **Stop using the equipment immediately in the event of any water leakage.**
- **Cut off the equipment from the power and water supply (hot and cold) after use.**

The manufacturer is not liable for the safety and reliability of the equipment if:

- **installation and repairs are not carried out by authorised technicians**
- **the general and electrical installation of the room does not comply with the requirements of the law**
- **the equipment was not installed following this manual**
- **the equipment is not used following this manual.**

INTENDED USE

The Fable shampoo-bed is the winning combination of functionality, attention to detail and flexibility of use in a product with a stylish design that revolutionises the concept of treatments, elevating it to the nth power. In terms of looks, it is a bed with a wide array of external finishes, including luxurious quilted padding. Side panels with LED-backlit methacrylate porthole can be chosen to make the equipment even more striking. But it is in its potentials of use that Fable reaches new heights offering the ability to span across an array of eco-natural healing, trendy, classic glamour and cross-contamination treatments, for instance, facilitated by the use of a regular or large tray, complete with special bowls. The equipment is designed to allow treatments from the above and from a privileged position. Extremely important is the physical well-being that Fable offers, combining a relaxing air massage with the pleasant and gradual comfort of the heated mattress, a classic horizontal position and an electrically adjustable backrest. The use of a complete series of dedicated accessories, including specially shaped memory foam cushions (trapezoidal for the feet, cylindrical and semi-cylindrical for the knees and legs), a headrest cushion with an opening for the face and a service trolley.

It is equipped with a special compartment for storage when not in use and the paper roll holder and designed to pamper the customer during all treatments – beauty, massage and hair removal and the most exclusive.

CONTRAINDICATIONS OF USE

The wash unit chair is intended for professional use in hair treatment salons, particularly in the hair washing area. It cannot be used by more than one operator at the same time and can accommodate only one customer at a time. The maximum load capacity is 120 kg. The installation is compliant if carried out according to the specifications indicated in the Installation, Use and Maintenance Manual. It is not allowed to sit on the worktops. It is not permitted for more than one person to sit together.

Beware of scalding caused by hot water.

Beware of moving parts of the wash unit chair.

DEFINITIONS

Hairdresser, or operator, is the person who performs the treatment of the customer's hair and who manages the operation of the wash unit chair. The workstation is situated at the back of the wash unit chair.

Customer is the person who is receiving the hair treatment. The front part of the wash unit chair is used to seat the customer.

SAFETY



The equipment complies with the essential European Union regulations on ergonomics and safety. The manufacturer guarantees these qualities by affixing the CE marking.

LIFTING AND TRANSPORT

The Fable shampoo-bed is supplied on a pallet, to which it is fixed through special holes on the base with four screws and nut (on the underside of the pallet), and packed in a triple-wall corrugated cardboard box. The pallet can be picked up in four ways by forklift. Information for the handling and the opening of the package is shown on the package.

TECHNICAL SPECIFICATIONS

Standard specifications		Unit of measure	Value
Minimum seat height		mm	790
Maximum basin height		mm	910
Maximum flow rate		kg	120 (1 person)
Supply voltage		V ~	230 - 240
Frequency		Hz	50 - 60
Drawn power (max.)		W	650
Operating mode (intermittent massage *)		min.	8
Operating mode (heated mattress **)		min.	60 - 120
Footprint	Max. length	mm	2060
	Max. depth	mm	655
	Max. height	mm	790 - 980
Weight		kg	120

* Referred to model with jet massage function.

** Referred to Thermic model.

TRANSPORT AND STORAGE

The packages must be transported on closed vehicles. Do not drop or tilt packages during loading and unloading. The products must be stored in a dry, indoor place, stacking up to three packages on top of each other and without drastic temperature changes.

Environmental conditions for transport and storage

- Ambient temperature from -25°C to +50°C.
- Relative humidity max 75%.

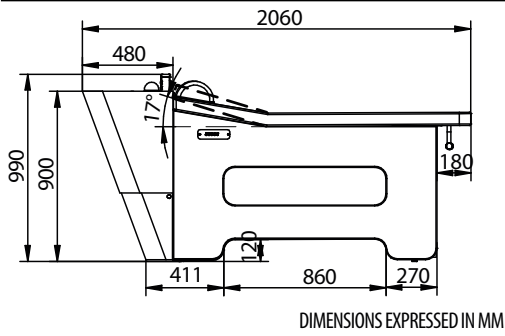
Environmental conditions of use

- Ambient temperature from +10°C to +40°C.
- Relative humidity from 30% to 75%.

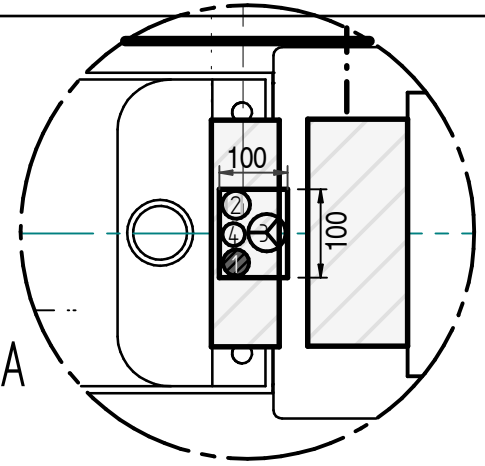
The shampoo-bed table must be used in a work environment with local lighting of 500 Lux or greater.

The sound pressure level in the workplace is less than 70dB(A).

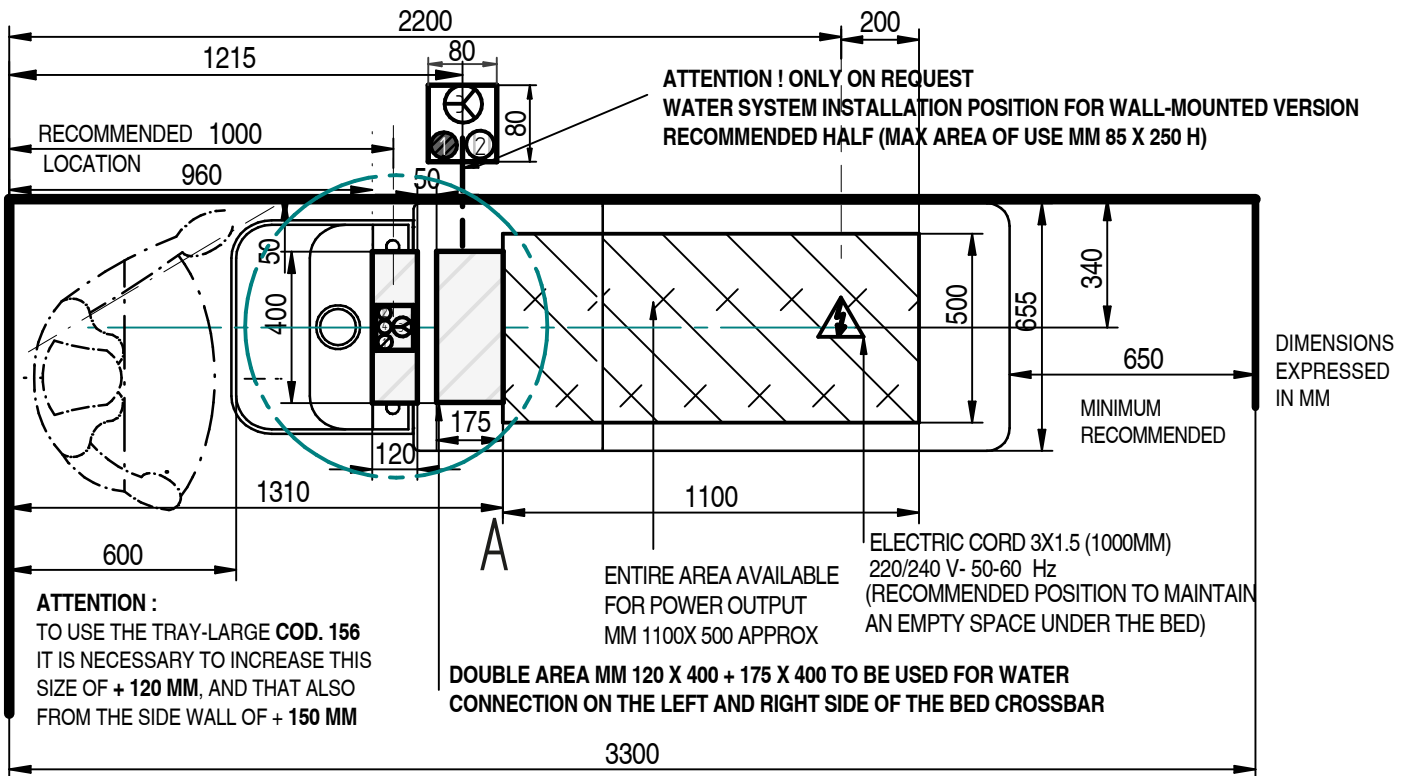
DIMENSIONS



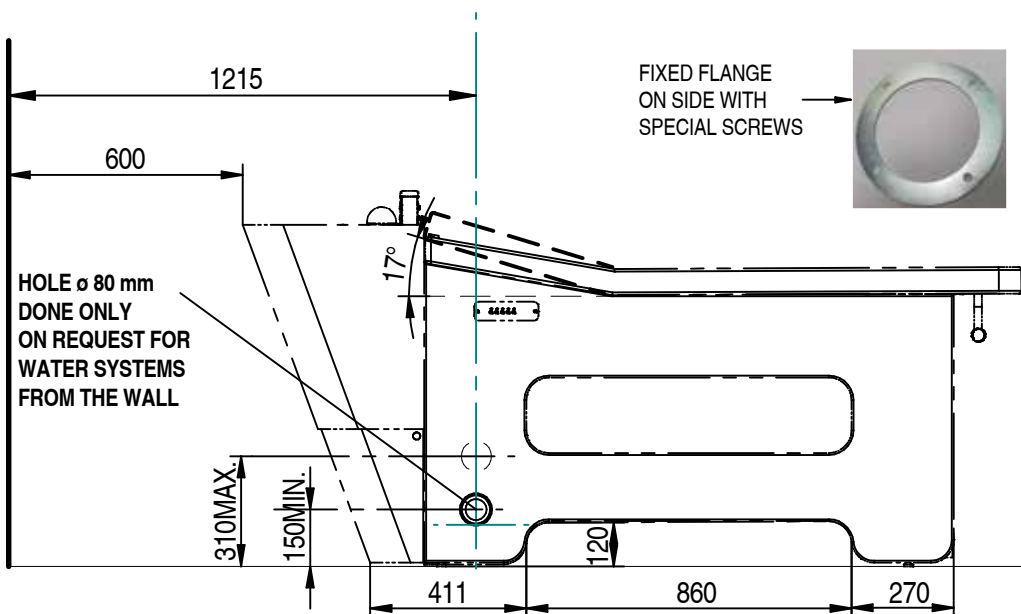
DETAIL A



INSTALLATION SURFACE STANDARD



WALL INSTALLATION PLAN - ON REQUEST ONLY



A hot and cold water tap must be provided upstream of each piece of equipment for the plumbing system.

Connections to the sewage drain system are established using a \varnothing 40 mm drain pipe.

WARNING:

The equipment does not have a siphon so one must be provided in the plumbing system.

Connection to the mains power supply is 230 V ~ 50 Hz F+N+T. The maximum power consumption of the shampoo-bed is about 650 W.

It is necessary to provide easy access to the water and electricity supply of the wash unit to allow disconnection in case of need.

MIXER SPECIFICATIONS

Technical specifications

Test pressure **15 bar**

Cold water supply blue indicator pointing rightwards. Pipe connection 3/8"

Hot water supply red indicator pointing leftwards. Pipe connection 3/8"

Limits of use according to UNI 10234 EN (817):

MIN. pressure 0.5 bar MAX. 10 bar (10000000 pascals)

MAX. temperature 90°

Limits of use recommended by UNI 10234 (EN 817) for a good tap operation

Pressure: **MIN. 0.5 bar MAX. 5 bar (5000000 pascals)**

Temperature: **MAX. 65°C**

Warnings:

- The system pipes must be carefully rinsed to avoid damage to the taps caused by any residues in the pipes.
- It is recommended to install a pressure reducer in case of operating pressures above 5 bar.
- It is also recommended to install a central filter for water with a high impurity content.

THERMOSTATIC MIXER SPECIFICATIONS

Technical specifications

Test pressure **15 bar**

Cold water supply blue indicator pointing rightwards. 1/2" pipe connection

Hot water supply red indicator pointing leftwards. 1/2" pipe connection

Limits of use according to UNI 10234 EN (817):

MIN. pressure 1 bar MAX. 10 bar (10000000 pascals)

MAX. temperature 90°

Limits of use recommended by UNI 10234 (EN 817) for a good tap operation

Pressure: **MIN. 1 bar MAX. 5 bar (5000000 pascals)**

Temperature: **MAX. 65°C**

Warnings:


- The system pipes must be carefully rinsed to avoid damage to the taps caused by any residues in the pipes.
- It is recommended to install a pressure reducer in case of operating pressures above 5 bar.
- It is also recommended to install a central filter for water with a high impurity content.

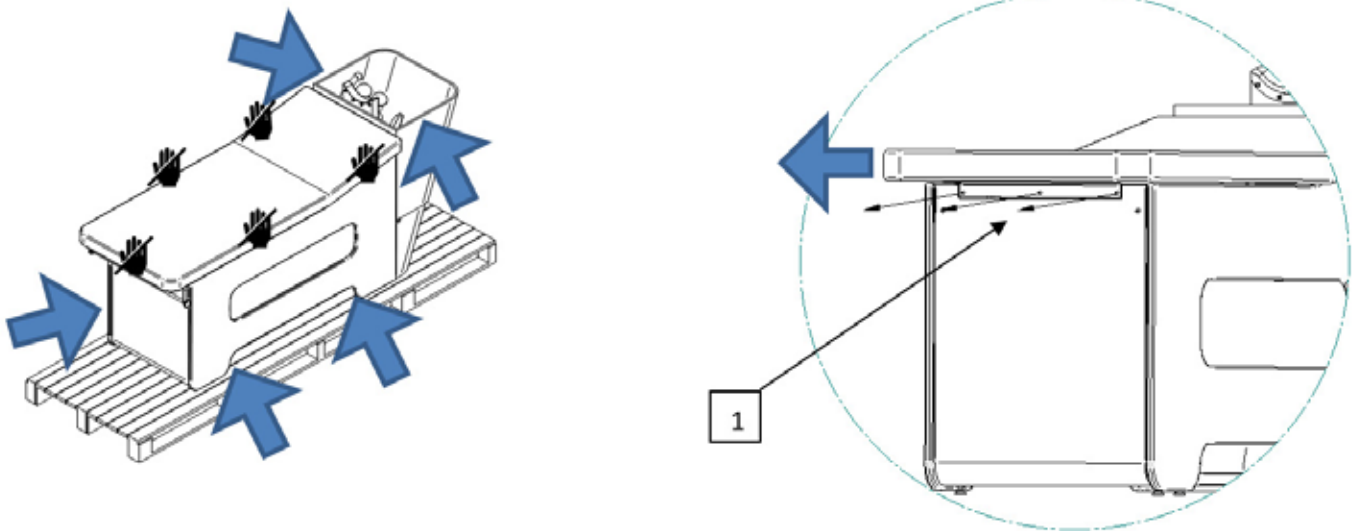
INSTALLATION

Preparation

1) Remove upper and side parts of the packaging leaving the shampoo-bed mounted on the pallet so that it is easier to transport. Remove the shampoo-bed protections and any accessories contained in the packaging itself.

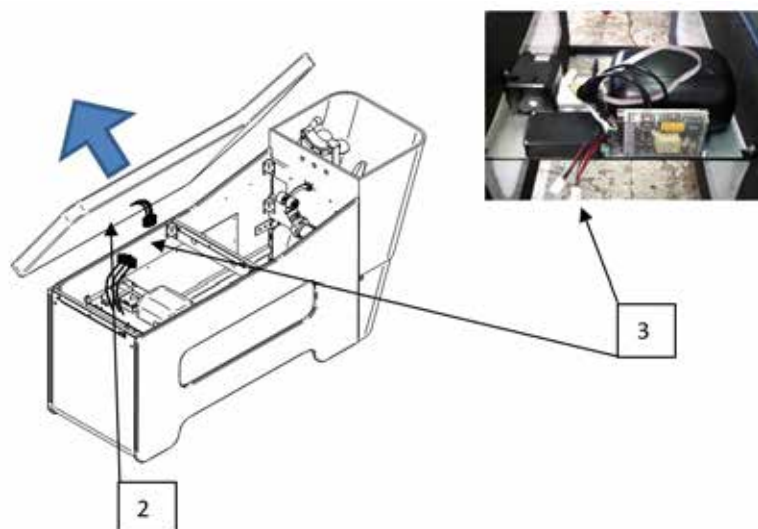
Fixing the shampoo-bed

1) Warning: DO NOT LIFT IN THE POINTS  Lift the shampoo-bed in the indicated points to bring it closer to the pre-set point of use. There are three lifting points. It is advisable to employ three people and never fewer than two to handle the shampoo-bed.

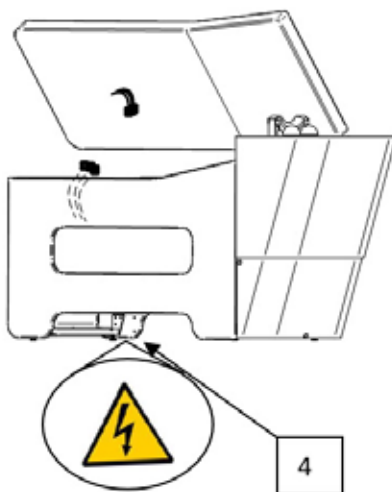


2) Before installing the **water and electric unit** and **removing the pallet**, undo the three screws that fix the bed to the bed (1), unhook the mattress by pulling it back, turn it longitudinally on one side (2) to disconnect the connection pins of the air massage or the heater, according to the version (3), to access the inside of the bed from the upper part. Now remove the four screws securing the bed to the pallet (two front and two rear screws) to position the bed at the predetermined point of use.

WARNING: Handle as indicated in Point 1.

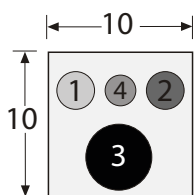


3) Establish the **electrical connection** (4) of the shampoo-bed to the mains conductor of a sectional switch located near the equipment. The equipment is supplied with a 1.5 m long cord and Schuko plug because it is not possible to determine the length of the power supply cable according to the requirements of each customer. The installer will be responsible for fitting an easily accessible disconnecting device ($I_n=10\text{ A}$ $I_{dn} = 30\text{ m A}$) on the electrical connection, in compliance with the laws in force in the country of use and with the instructions contained in the Installation, Use and Maintenance Manual, and carrying out a complete test of the equipment. Check the presence and operation of the differential protection against indirect contacts.

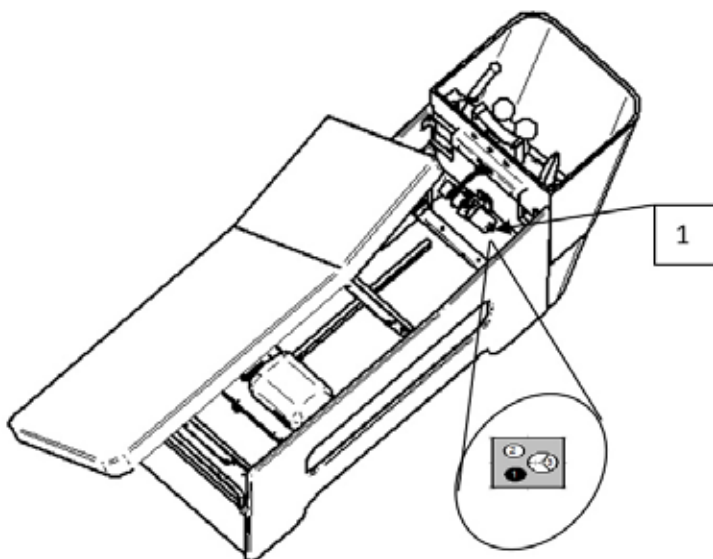


4) Make the **water connection** at the rear as indicated in the technical data sheet (1), providing a tap for hot and cold water upstream of each piece of equipment. Connections to the sewage system are established using a $\varnothing 40$ drain pipe.

Plant layout



- 1** = Hot 3/8" (1/2" thermostatic mixer)
 - 2** = Cold 3/8" (1/2" thermostatic mixer)
 - 3** = $\varnothing 40$ mm drain
 - 4** = Electrical cable outlet (where required)
- Cord 3X1 (1500 mm) - 220/240 V - 50 Hz/60 Hz



5) Once the electrical and hydraulic connections have been completed, reassemble the mattress of the shampoo-bed by carrying out the operations in Point 3 again in reverse order. Rotate the mattress, insert the connection pins of the bed functions, push the mattress forwards engaging the rear corner to the three screws protruding from the central crossbar of the bed and fasten the locking screws.

USE

Switching on the shampoo-bed

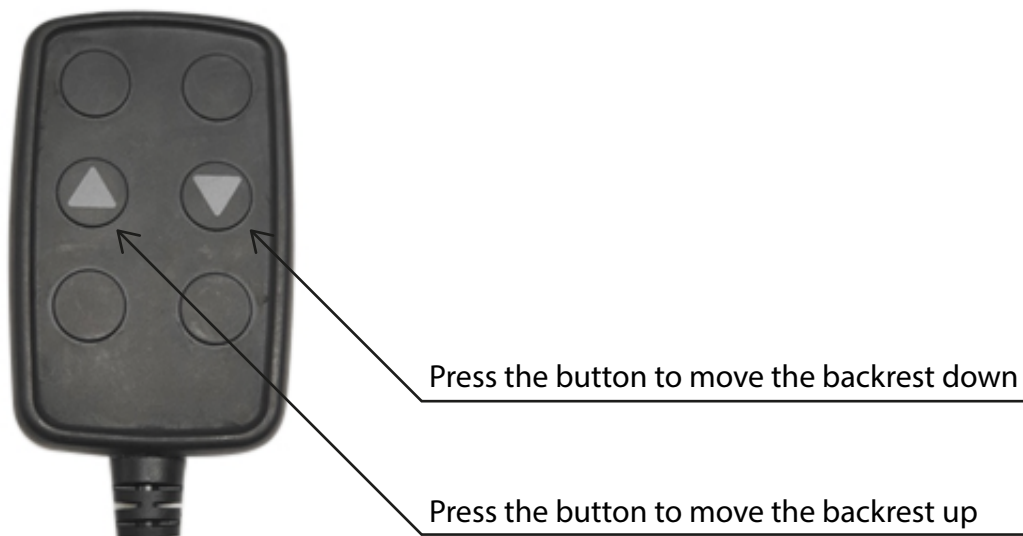
The equipment is powered when it is connected to the mains.

Comfort controls (optional version)

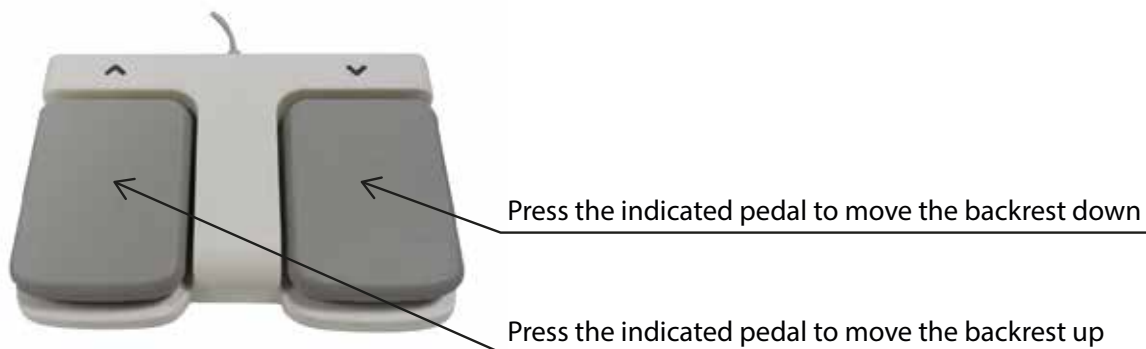
The shampoo-bed with a comfort movement system promotes a state of absolute relaxation.

The inclination of the dorsal section of the mattress can be adjusted to allow the user to assume a relaxing position with the maximum reduction of disc pressure. The back is comfortably supported at the cervical level by the neck rest and by the two neck support balls made of medical gel, ideal for prolonged treatments. **Keypad (1) is used to operate the electric adjustment of the dorsal section of the mattress.**

The same operation can be carried out using a pedal control, which raises and lowers the back of the mattress by simply pressing the pedal (2) with the left or right foot. This **optional** system, as well as being more practical for the operator allows you to adjust without taking your hands away from what you are doing, saving time and maximising hygiene.



**Relax control panel D6510060
(Included with comfort option)**



**Relax control pedal D5710030
(optional)**

Jet massage controls (optional version)

The jet massage function helps to improve the feeling of well-being by stimulating blood circulation and relieving muscle tension.

The mattress is equipped with a massaging mat consisting of a series of sectors that automatically inflate according to a programmed sequence.

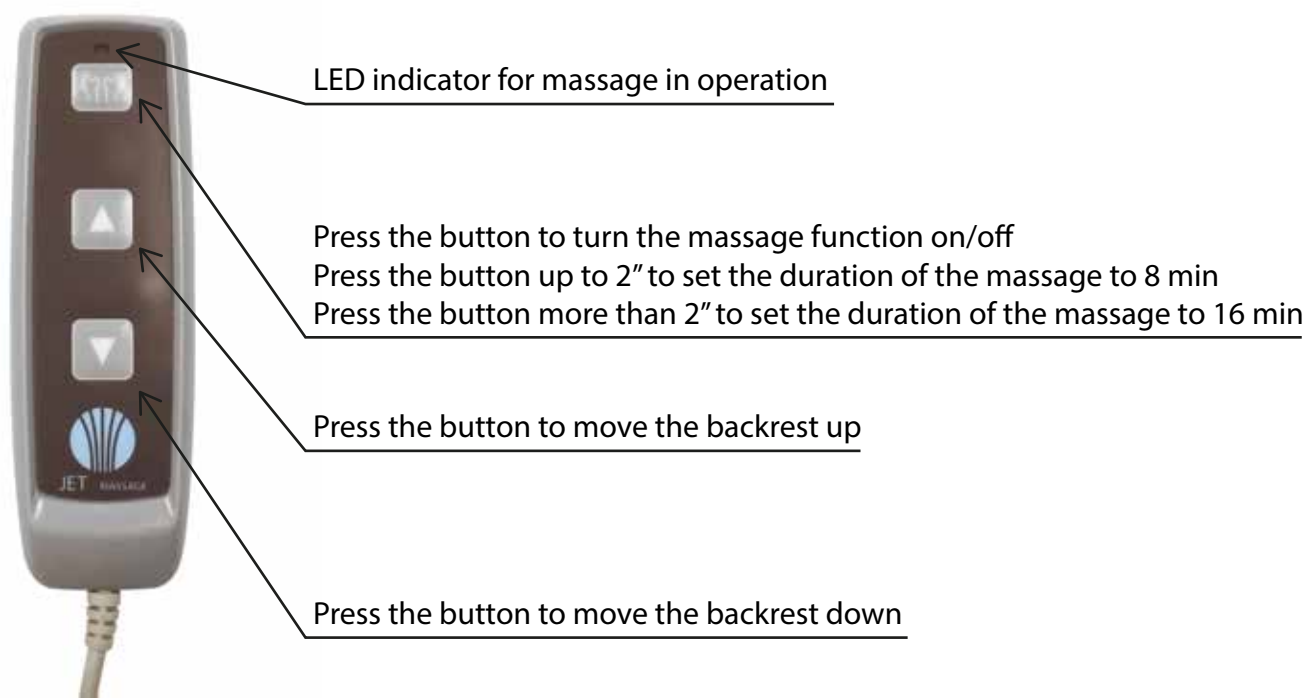
This produces a moving pressure wave reminiscent of draining and toning massage.

Remote control for massage activation

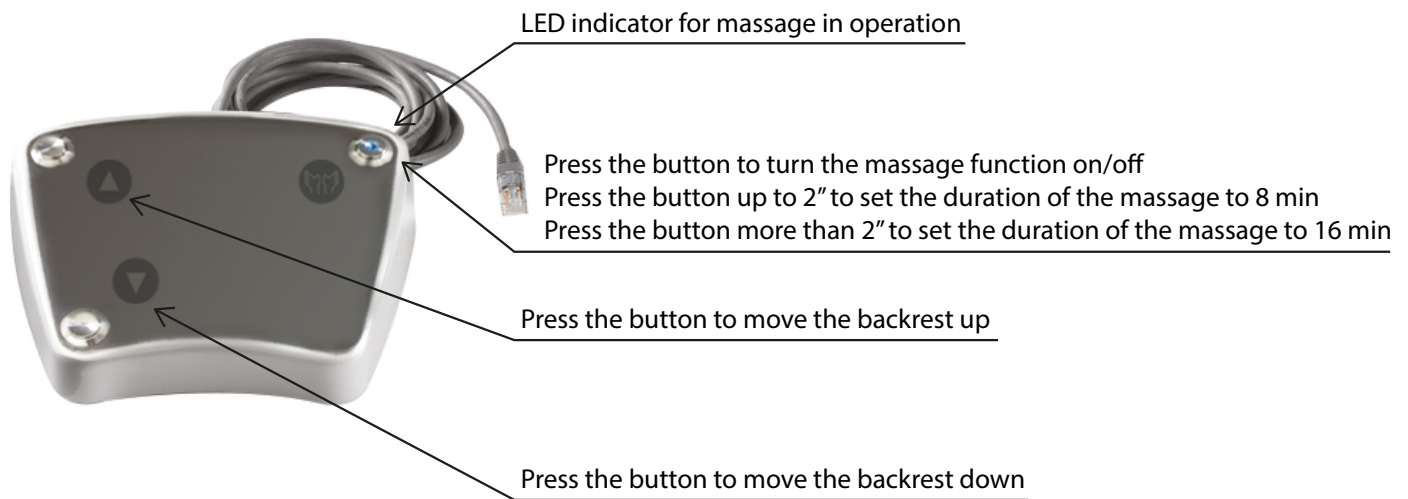
The remote control (1) can be used to switch the massage on and off. The remote control used for the massage version also allows the height adjustments of the back section of the mattress.

The same operation can be carried out using a foot control, which in addition to raising and lowering the back part of the mattress, as mentioned, also allows you to operate the massage function, leaving your hands free.

This optional system of the mattress (2) makes the system more practical for the operator, allowing adjustments without taking your hands off what you are doing to save time and maintain maximum hygiene.



**Jet massage remote control C6420007
(Included with jet option)**



**Jet massage control pedal G060040
(optional)**

Thermic system control, heated mattress (optional version)

The control can be used to heat the entire length of the Fable shampoo bed, including the back part. The control panel (1) is embedded in the side of the mattress (it can be placed on the left or right side). Pressing **ON** to activate the heating which is automatically timed for 60 minutes and can be interrupted at any time. Pressing **2H** activates the auto-off function after 120 minutes.

When switching on, select **LOW** to maintain a base setting temperature of 40°C. Alternatively, press **HIGH** to increase the temperature to 44°C. All buttons are activated by pressing them and deactivated by pressing them a second time.

Note: The activated functions are highlighted by the lighting of the respective reference LED on the control panel.

The heating function is very useful to promote relaxation while treatments are carried out, from the shortest to the longest, guaranteeing maximum comfort and a unique experience also for body massage or hair removal.



Knob

OFF: heating system shutdown

ON: heating system start-up timed 60 min. auto shutdown

LOW: low power mode at 40°C

HIGH: High power mode at 44°C

2H: Auto power off mode at 120 minutes

Error signals

Slow flashing of the LEDs:

LED OFF = Fault on resistor 1

LED ON = Fault on resistor 2

LED LOW = Fault on resistor 3

LED HIGH = Fault on resistor 4

Fast flashing of the LEDs:

LED OFF = temperature sensor 1 fault

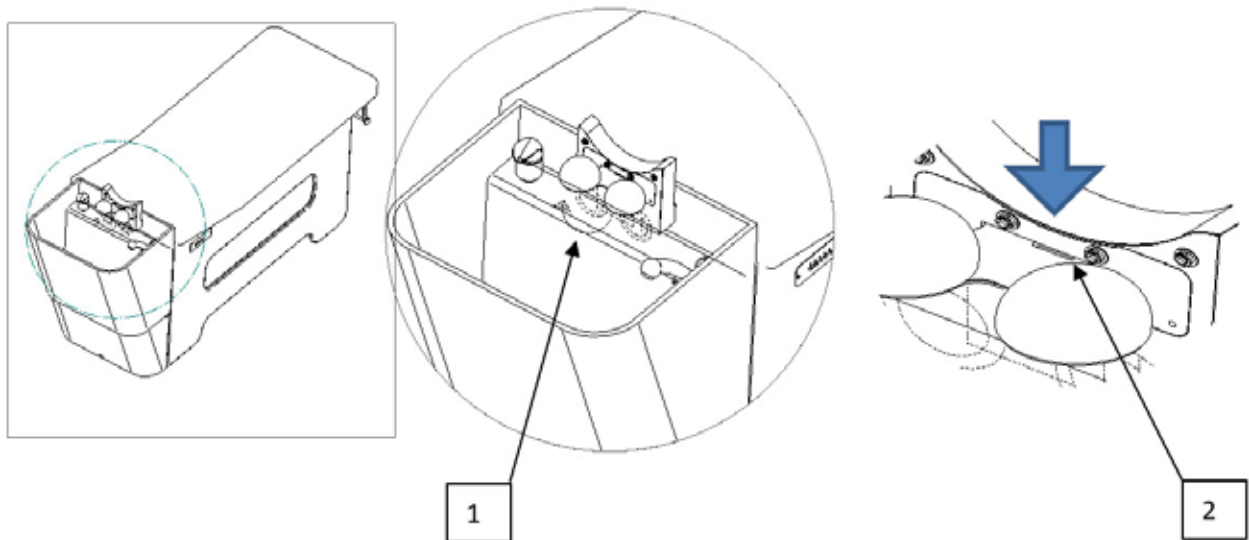
LED ON = temperature sensor 2 fault

LED LOW = temperature sensor 3 fault

LED HIGH = temperature sensor 4 fault

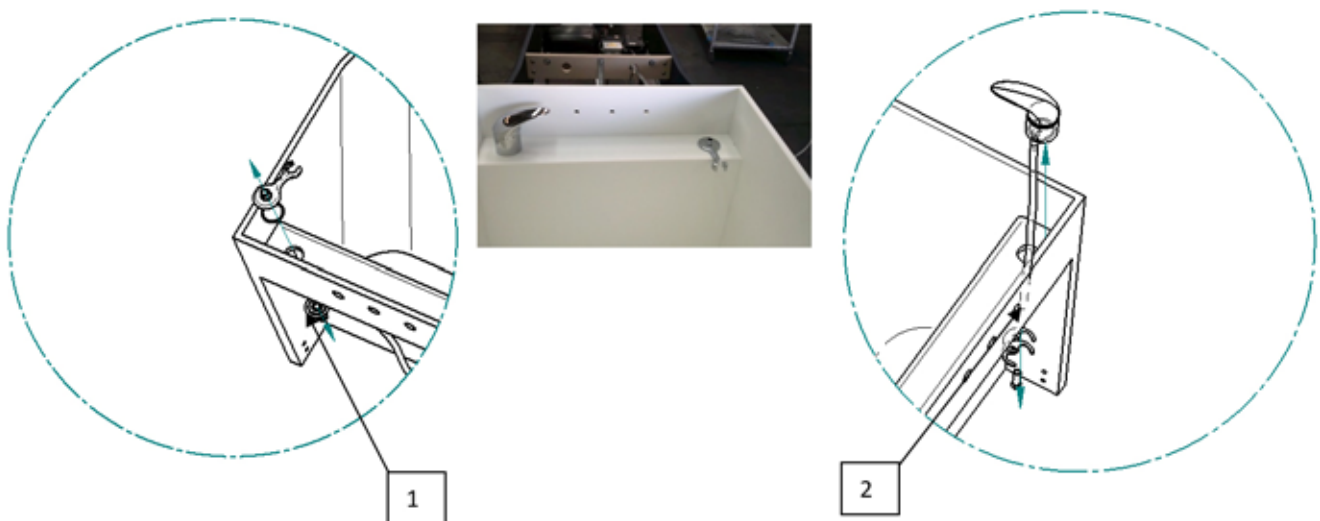
Using neck rests with gel balls

The Fable shampoo-bed is equipped with neck support with medical gel balls that can be folded down from the horizontal position, when necessary, e.g. to rinse the hair, or to facilitate the cleaning of the basin. To put it back in the operating position (1), turn the support complete with the balls upwards and fit the slot of the same to the tooth of the headrest support plate (2).



Disassembling the mixer and hand shower

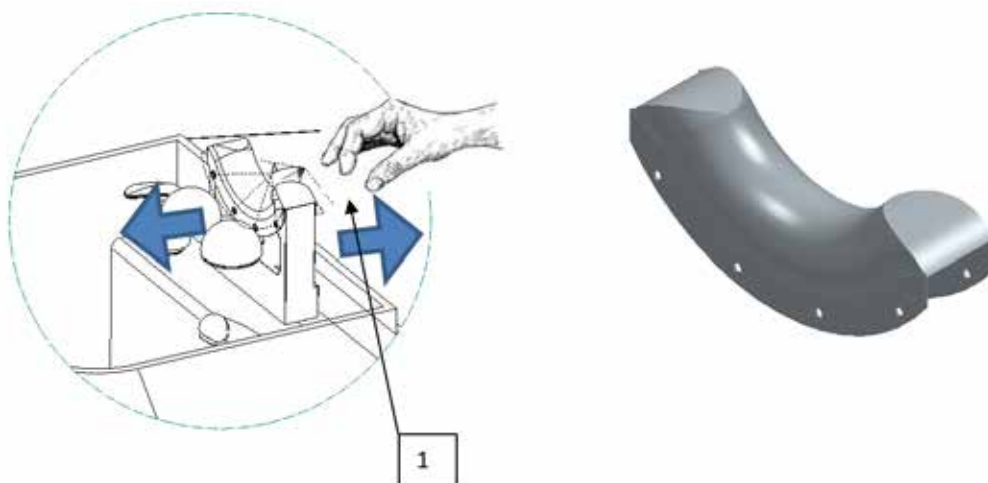
The mixer and hand shower are assembled on the Avonite basin directly on the production line. Therefore, the product is delivered with assembled components. Proceed as follows to replace the mixer or the hand shower, if necessary. Before starting, close the hot and cold water taps located upstream of the equipment. **Disassembling the shower:** Undo the tube screwed to the fork, undo the brass-plated nut that tightens the fork and then remove the fork from the basin (1). **Disassembling the mixer:** Undo the brass-plated pin that fixes the mixer to the Avonite basin, remove the fork with its gasket from the lower part of the basin, remove the mixer unit with the tubes from the upper hole of the basin (2).



Removing the gel neck rest

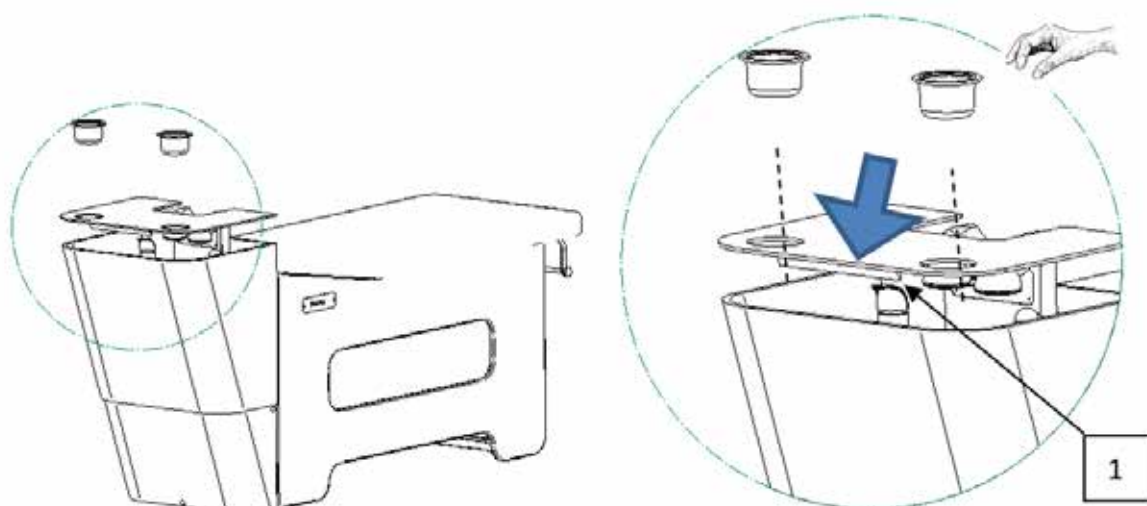
The neck rest is made of medical gel, which together with the neck rest balls made of the same material guarantees the best postural comfort during treatments. It can be detached and reattached to the support of the shampoo-bed table for cleaning or maintenance. To do this, remove the steel spring pins (1) from one side and the other. To reposition it, reverse the removal sequence.

NOTE: NEVER USE THE SHAMPOO-BED WITHOUT THE GEL NECK SUPPORT FITTED.



Using the regular-large palette (optional)

The **TRAY** palette, available in two sizes and complete with bowls, is practical and easy to use. Place the palette on the basin. For the regular version, we recommend removing the bowls first to handle it more easily (1). Rest the basin making sure that the lip of the palette remains inside the basin and adheres to it. The same applies to the large version.



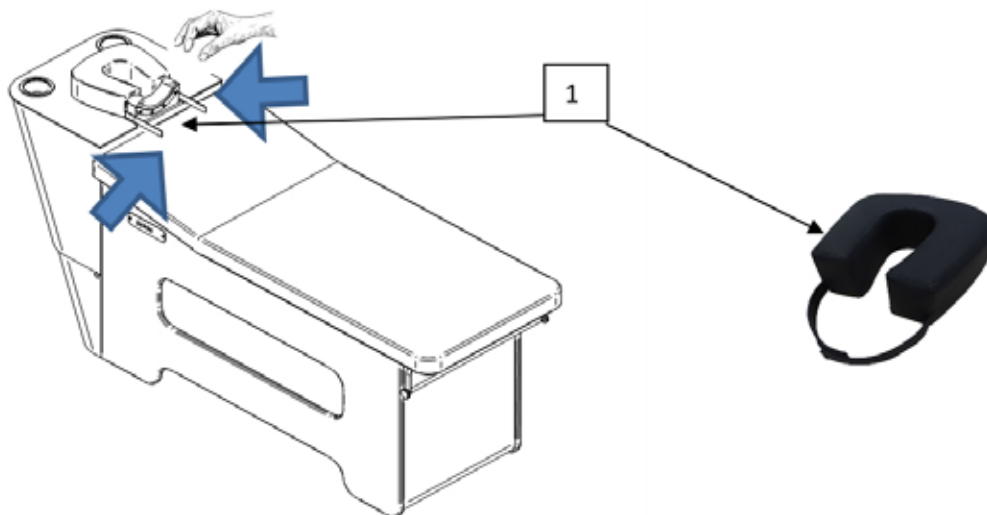
REGULAR



LARGE

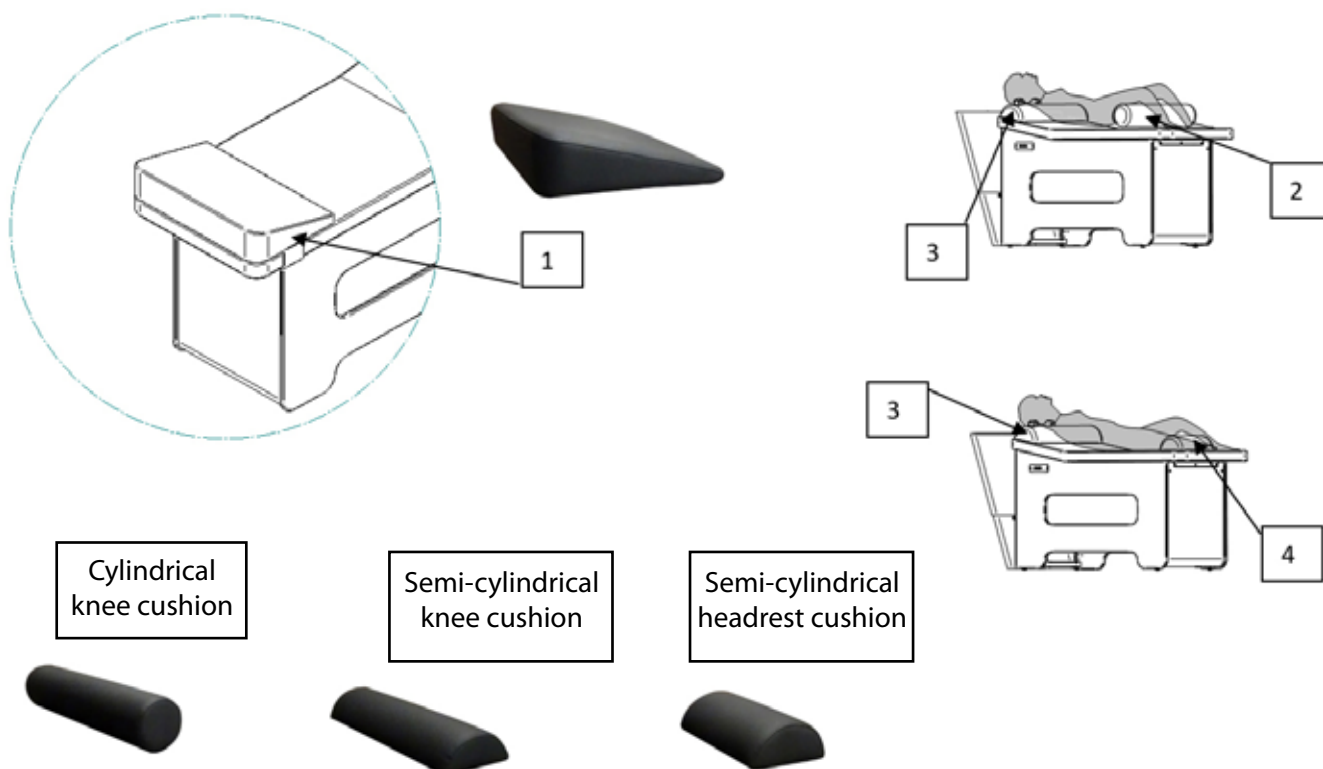
Using the headrest cushion with face hole (optional)

The headrest cushion, with a memory foam layer on the side in contact with the face and a special central opening for comfortably accommodating the shape of the face allows the shampoo-bed to be used for an array of specific targeted body treatments, such as massage or hair removal. After wrapping the pillow webbing around the headrest support (1) and fixing it, the customer can lie face down and prepare to enjoy a complete beauty treatment. **Note: In this case, the palette must be positioned to cover the basin (usable only with Tray).**



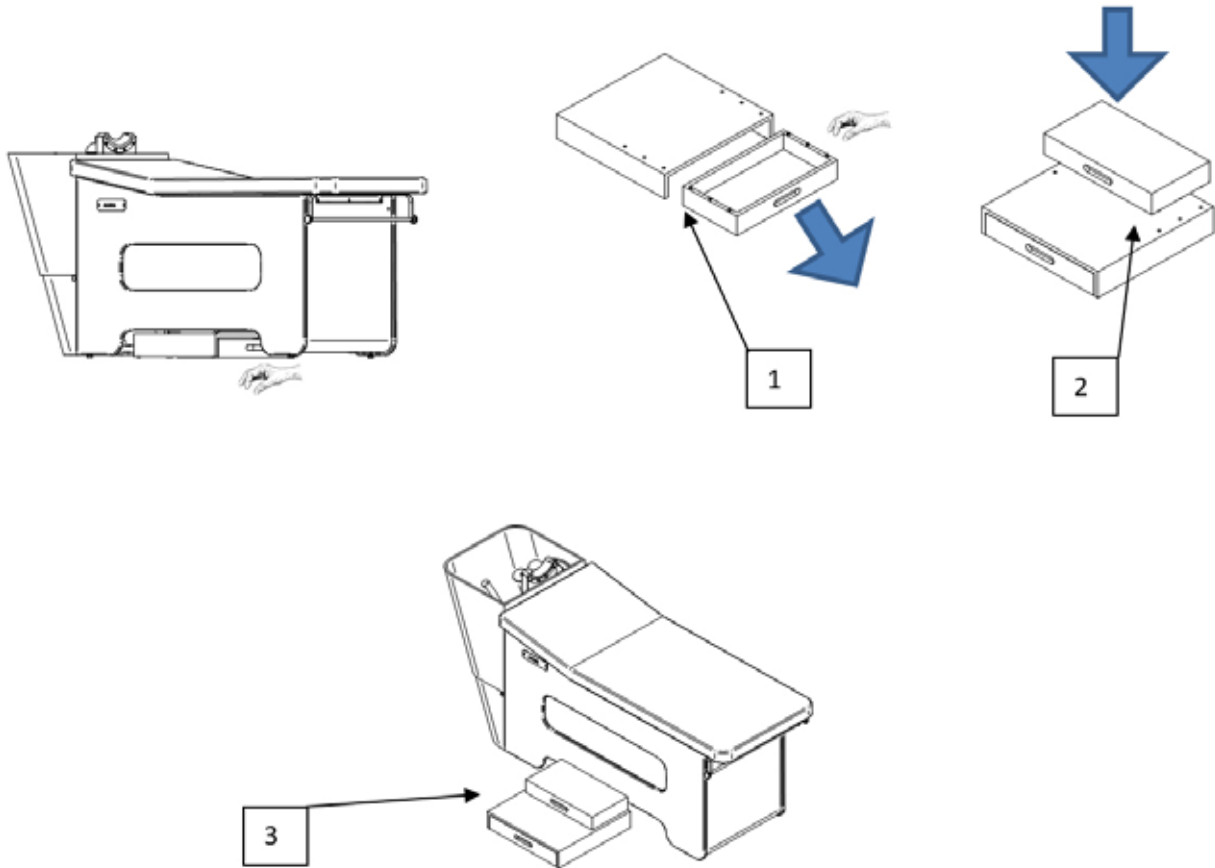
Using the cushions (trapezoidal, cylindrical and semi-cylindrical) (optional)

All the cushions supplied with the Fable shampoo-bed are provided with an outer layer of memory foam. The trapezium-shaped cushion is designed to support the feet to achieve even more comfort when lying down. It must be placed on the mattress of the bed in the most suitable position according to the customer's height (1). The other cushions are used as knee support, lumbar and cervical support, as suggested in Points (2-3-4).



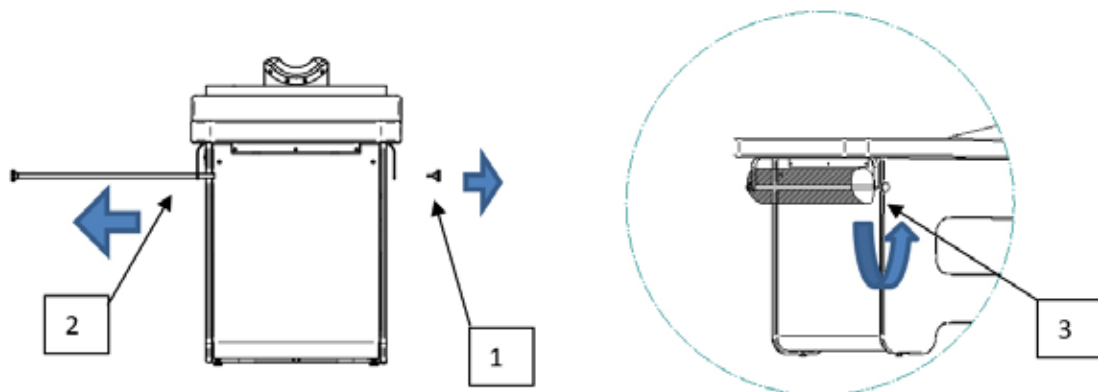
Using the white painted step (optional)

The modular **step** with two risers is designed to facilitate the use of the shampoo-bed, making it easier for the person receiving treatment to get on and off. It is made of white painted wood and is easy to assemble. Insert the upper step into the base step to make it smaller so that it can be easily placed under the bed in the central part of the shaped side. For use: Remove the step from its housing (1), place the small step on top of the base step and fit the wooden pins into the corresponding holes in the top of the large step (2). Place the steps by the side of the bed ready for use (3).



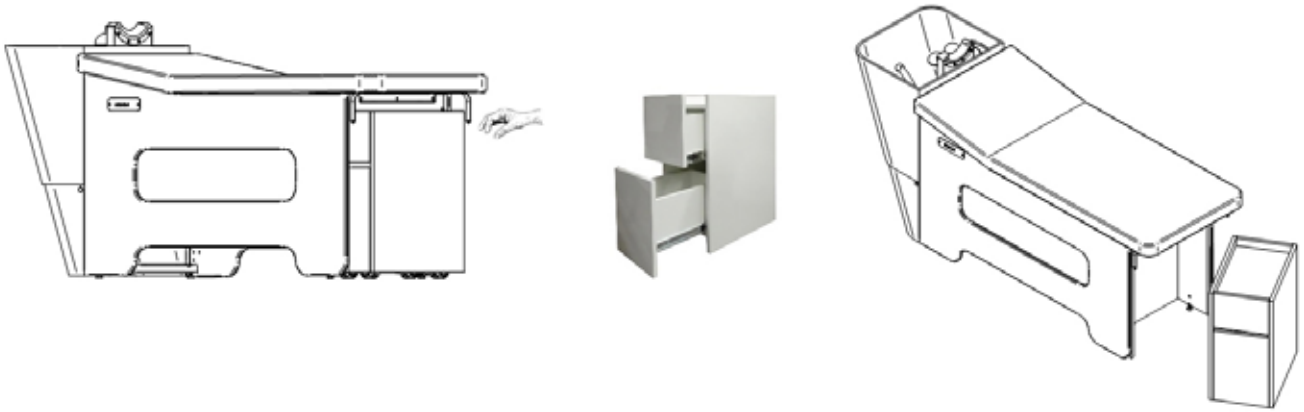
Using the paper roll holder (optional)

The **paper-roll holder** is fitted on the bed before shipping to insert the paper roll: Undo the plastic knob on one side of the fork (1), pull out the central bar (2) and place the paper roll in the middle of the forks. Insert the bar back into the forks and roll by tightening the plastic knob (3).



Using the service trolley (optional)

A useful accessory of the Fable shampoo-bed is the wooden service trolley on twin swivel castors, with a drawer and a chest of drawers mounted on self-centring telescopic guides to store the specific working tools and bottles containing the various treatment products. In this case, the Fable shampoo-bed has a specific structure with a special compartment, on the opposite side of the basin, for storing the trolley at the end of each treatment session. The paper-roll holder must be removed from the paper roll to accommodate the trolley (see specific chapter). For this reason, it is advisable to put it back only at the end of the daily treatment session.



MAINTENANCE

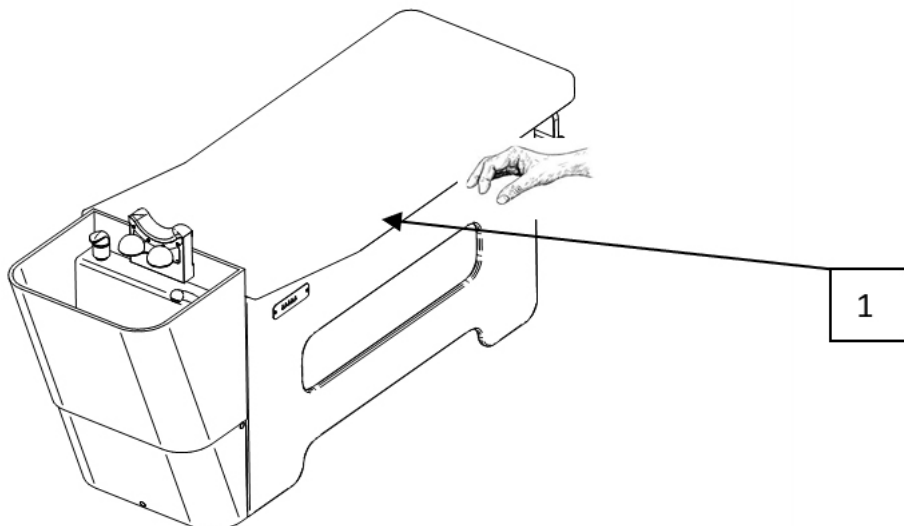
Disconnection for maintenance

For all maintenance jobs, the Fable shampoo-bed must be disconnected from the mains by turning off the main power switch or by unplugging the power socket and closing the water supply taps.

Routine maintenance

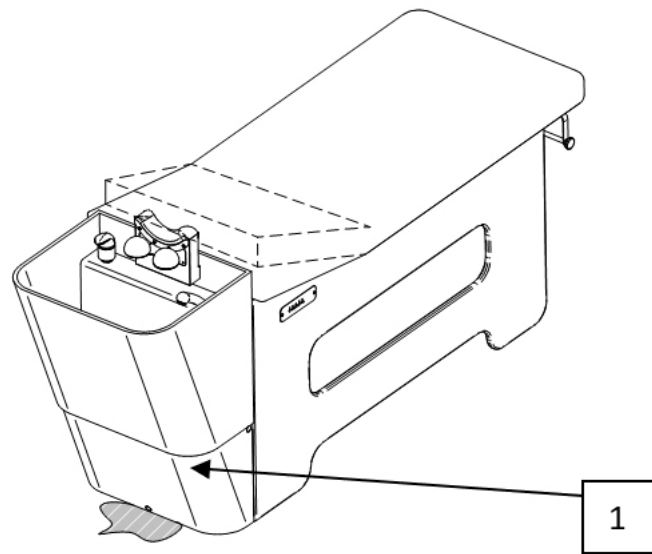
Exterior structure

- Regularly check the wear of the mattress and the sides.
- Periodically check that the sides (1) are secure and firm.



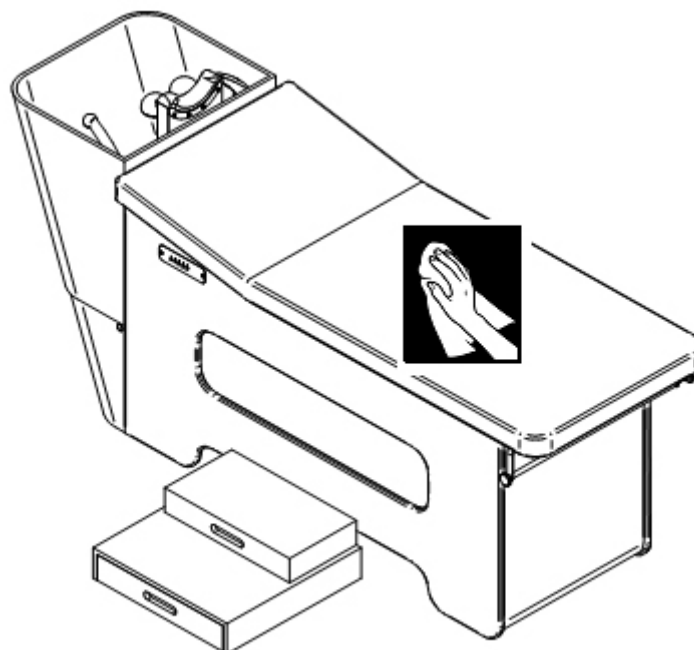
Washbasin unit

Regularly check that there are no water leaks under the Avonite basin (solid surface). Also, check inside by raising the back portion of the mattress (1) as high as possible. Check that there are no leaks from the rear part of the aluminium casing.

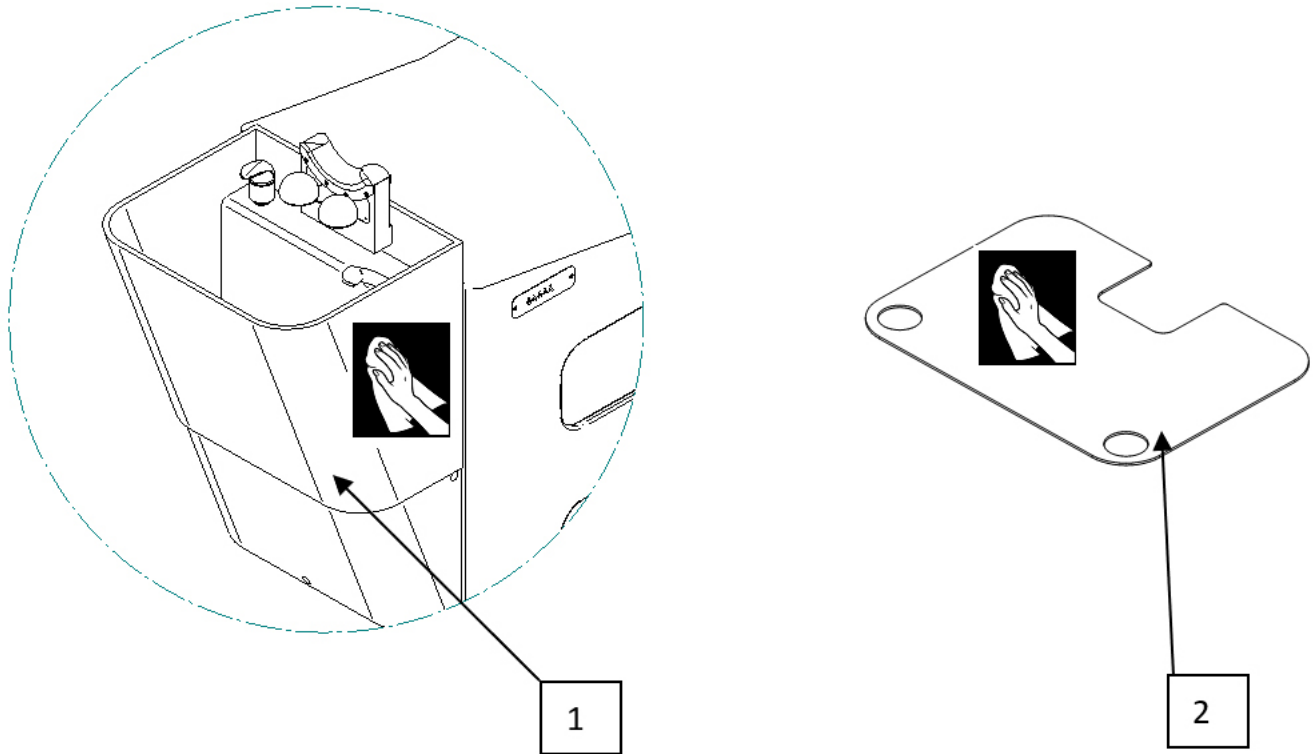


Cleaning the surfaces

- Disconnect power to the shampoo-bed before cleaning or doing other jobs.
- Do not use solvents to clean the metal parts. Only use a damp cloth.
- Use only sanitising liquid to clean plastic parts.
- The upholstery of the mattress and sides must be cleaned with mild soap and water.
- Do not use alcohol-based products.

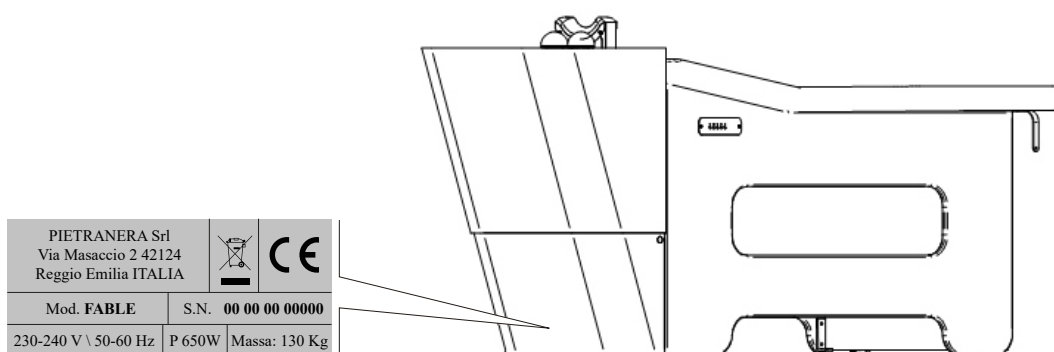


The **basin** (1), **headrest support** and regular and small Tray **palettes** (2) are made of AVONITE, a solid surface material of the Corian family. We recommend using a damp cloth for cleaning. Use **NON-ABRASIVE SPONGE PADS**. Use **NON-ABRASIVE DETERGENTS**. A solution of water and ammonia or mild detergents may be used. Apply with a soft cloth using circular motions. Rinse and dry well after cleaning.
WARNING: DO NOT USE CLEANING PRODUCTS CONTAINING ACETONE.



IDENTIFICATION OF THE EQUIPMENT

Always quote the serial number when communicating with the manufacturer or service centres.



INSTRUCTIONS FOR DISPOSAL

Disposal of packaging

The packaging material is 100% recyclable and is marked with the recycling symbol. The various parts of the packaging must not be dispersed in the environment and must be disposed of following the regulations of your local authorities.



Disposal of end-of-life equipment

Under European Directive 2002/96/EU on waste electrical and electronic equipment, as implemented by national law, end-of-life electrical equipment must be collected separately and disposed of in an environmentally compatible recycling plant.

By ensuring that this product is disposed of correctly, you are helping to prevent potential negative consequences for health and the environment.

Please contact your local authority or waste collection service for more information on the treatment, recovery and recycling of this product.



Via Masaccio, 2 - 42124 Reggio Emilia - Italy

Tel. +39-0522.516510

Fax. +39-0522.514.669

e-mail: info@pietranera.com

www.pietranera.com