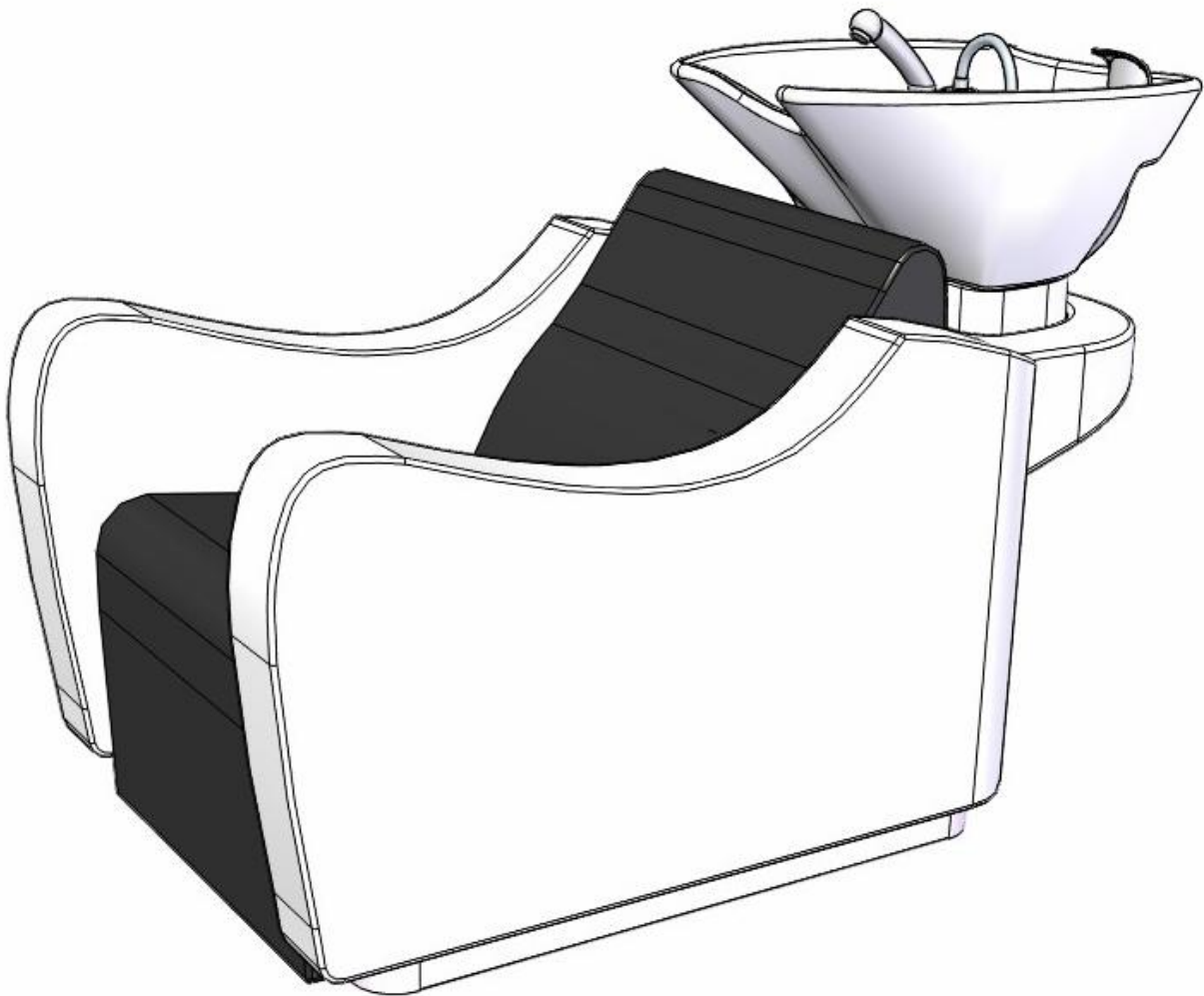


pietranera[®]
ITALIAN DESIGN & PRODUCTION

ISTRUZIONI PER L'INSTALLAZIONE L'USO
E LA MANUTENZIONE ORDINARIA

*INSTRUCTIONS FOR INSTALLATION USE
AND ORDINARY MAINTENANCE*



LAVAGGIO WEN LIFT

- FOREWORD

Thank you for choosing a Pietranera product. We are sure that you will be completely satisfied with your purchase. Pietranera products are manufactured in accordance with strict quality standards using only high quality components. Prior to shipment, every wash unit undergoes stringent functional and safety tests.

Check to make sure that the wash unit has not sustained damage during transport that could affect its operation and safety.

Strictly comply with the instructions in this manual to ensure the best performance and utmost reliability from the wash unit over time.

The instructions in this manual will allow you to use the wash unit in the best way and in conditions of the utmost safety.

This manual is therefore an integral part of the wash unit, must be kept with care throughout its entire life cycle and must accompany the product in all changes of ownership.

To ensure problem-free use, carefully read this manual before performing any operation with the wash unit and strictly comply with the instructions. The Manufacturer declines all liability for damage due to negligence and/or failure to comply with the instructions in this manual.

Without affecting the main technical and safety characteristics, the Manufacturer reserves the right to modify the wash unit for the purpose of technical and technological development, without prior notice and without incurring sanctions.

Partial or total duplication of this manual and the texts and illustrations herein is prohibited by law. All disputes shall be subject to the jurisdiction of the Court of Reggio Emilia (Italy).

• INDEX

INSTALLATION, USE AND MAINTENANCE

PREREQUISITESPAGE 4

INTENDED USEPAGE 5

CONTRAINDICATIONS OF USEPAGE5

DEFINITION PAGE 5

SAFETY PAGE 5

DECLARATION OF CONFORMITY ' ' PAGE6

LIFTING AND TRANSPORT PAGE 7

SPECIFICATIONS PAGE 7

ENVIRONMENTAL CONDITIONS PAGE 7

TECHNICAL DRAWINGS AND INSTALLATION PLANPAGE 8

INSTALLATION

Preparazione.....PAG10

Fixing the washing PAGE 10

USE

POWER WASHING PAGE 12

CONTROLS RELAX.....PAGE 12

CONTROLS JET MASSAGE PAGE 12

LIFT CONTROLPAGE 13

MAINTENANCE

INSULATION FOR MAINTENANCE PAGE 14

ROUTINE MAINTENANCE PAGE 14

THE APPLIANCE PAGE 16

INSTRUCTIONS FOR DISPOSALPAGE 17

- PRECONDITIONS

Comply with the following instructions to ensure correct and safe installation of the appliance:

- The floor must conform to the laws and regulations in force in the place of use.
- The electrical system must conform to the laws and regulations in force in the place of use and must be equipped with a residual current circuit-breaker able guarantee protection for persons against indirect electric current.
- Do not connect devices that are not specified as being part of the system.
- The electric power supply must be sized for the following characteristics 230-240 V, 50-60 Hz, 10A
- It is especially important for the unit to be earthed in accordance with the laws and regulations in force in the place of use.
- **It is obligatory to fix the unit to the floor: the installation conforms if performed according to the specifications in this manual. The unit must be fixed to the floor with plugs at least 8 mm in diameter.**
- **This appliance can only be used by the persons who perform the treatments (Hair Stylists, Shampooers, Barbers), called Operator in the following text. Cleaning and maintenance must not be performed by children without supervision.**
- **Persons undergoing treatment can be normal people as well as children from the age of 8 years onwards and people with reduced physical, sensory or mental capabilities, or with lack of experience and knowledge so long as they are supervised.**
- **Children must not be left unattended in the vicinity of the appliance.**
- **Cleaning and maintenance must only be performed by persons qualified to carry out such tasks.**
- **If the power cable is damaged, it must be replaced by the manufacturer, by the manufacturer's assistance service or by qualified personnel.**
- **Immediately stop using the appliance if water starts to leak in any way.**
- **Isolate the appliance from the electricity and water (hot and cold) supplies after use.**

The Manufacturer declines all liability for the safety and reliability of the appliance if:

- Installation and repairs have not been performed by authorized technicians.
- The general and electrical installations in the premises fail to conform to the provisions established by law.
- The appliance has not been installed as described in this manual.
- The appliance has not been used as described in this manual.

- INTENDED USE

The backwash unit has been designed for professional use in the hair treatment sector, particularly in the washing area.

- IMPROPER USE

The backwash unit has been designed for professional use in the hair treatment sector, particularly in the washing area. It can only be used by one operator at a time and can only accommodate one client at a time. The maximum bearing capacity is 120 kg. It is obligatory to fix the wash unit to the floor: the installation conforms if performed according to the specifications in this manual. The unit must be fixed with plugs at least 8 mm in diameter. Sitting on the bearing surfaces and armrests is not allowed. Only one person may sit in the armchair. Users are not allowed to get on and/or out of the armchair while the footrest is operating and/or the armchair is being raised.

- DEFINITIONS

Hair stylist: also called operator. Person who performs the hair treatment on the client and person who operates the backwash unit. The work position is at the rear of the backwash unit.

Client: person upon whom the hair treatment is performed. The front part of the backwash unit is designed to accommodate the client.

- SAFETY



The appliance complies with the essential regulations of the European Union concerning ergonomics and safety. The Manufacturer guarantees such qualities by affixing the CE mark.

CE DECLARATION OF CONFORMITY

Pursuant to annex II.A of Directive 2006/42/EC concerning Machinery and other applicable Directives

DECLARATION IN THE ORIGINAL LANGUAGE

Pietranera SpA

Via Masaccio 2

42124 Reggio Emilia - ITALY

in its capacity as Manufacturer, hereby declares that the machine:

Backwash Unit

MODEL : Wen Lift

SERIAL NUMBER : 542L

YEAR of manufacture : 2014

to which this declaration refers, conforms to the following laws:

- **European Union Directive** **2006/42/EC** **on the safety of Machinery**
- **European Union Directive** **2004/108/EC** **on Electromagnetic Compatibility**
- **European Union Directive** **2006/95/EC** **on Low Voltage**

The machine also conforms to the provisions established by the following harmonized standards:

- EN 12100-1:2005 safety of machinery – basic concepts, general principles for design – part 1 : Basic terminology, methodology
- EN 12100-2:2005 safety of machinery – basic concepts, general principles for design – part 2 : Technical principles and specifications
- EN 60204-1:2005 electrical equipment of machines – Part 1 : general requirements
- EN61000-6-2:2006 electromagnetic compatibility – emission standard for industrial environments
- EN61000-6-2:2006 electromagnetic compatibility – immunity for industrial environments

The machine also conforms to the following European standards, national standards and technical specifications:

- **NF EN ISO 14738 :2008** **Anthropometric specifications concerning posture in workstations**

Pietranera SpA

Via Masaccio 2

42124 Reggio Emilia

Reggio Emilia , 15/12/2014

The legal representative

Daniele Tonelli

- LIFTING AND TRANSPORT

The backwash unit is supplied on a pallet to which it is fixed by means of the holes in the base, and is packaged in a box made of triple-wall corrugated cardboard. The pallet can be picked up by a lift truck in 4 points. Instructions on how to handle and open the packaging are given on the packaging itself.

- TECHNICAL FEATURES

Standard characteristics		U.M.	Value
Minimum seat height		mm	375
Maximum seat height		mm	625
Maximum bearing capacity		kg	120 (one person)
Power supply voltage rating		V ~	230 - 240
Frequency		Hz	50 - 60
Power consumption		W	130-150*
Intermittent operating mode*		min	8
Overall dimensions	Length	mm	1280 - 1470
	Depth	mm	700
	Height	mm	867 - 1105
Weight		kg	92
* with reference to model with jet massage function			

- ENVIRONMENTAL CONDITIONS

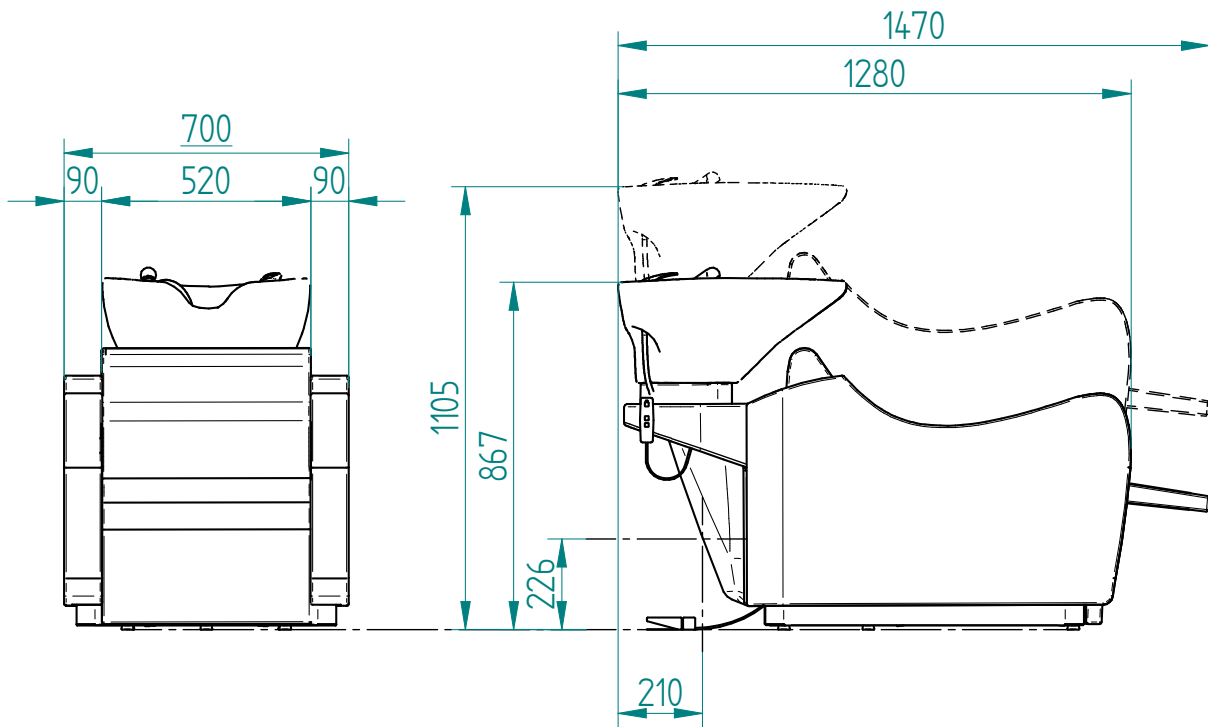
Environmental conditions for transport and storage

- Ambient temperature from -40°C to +70°C
- Relative humidity from 10% to 90%

Environmental conditions for use

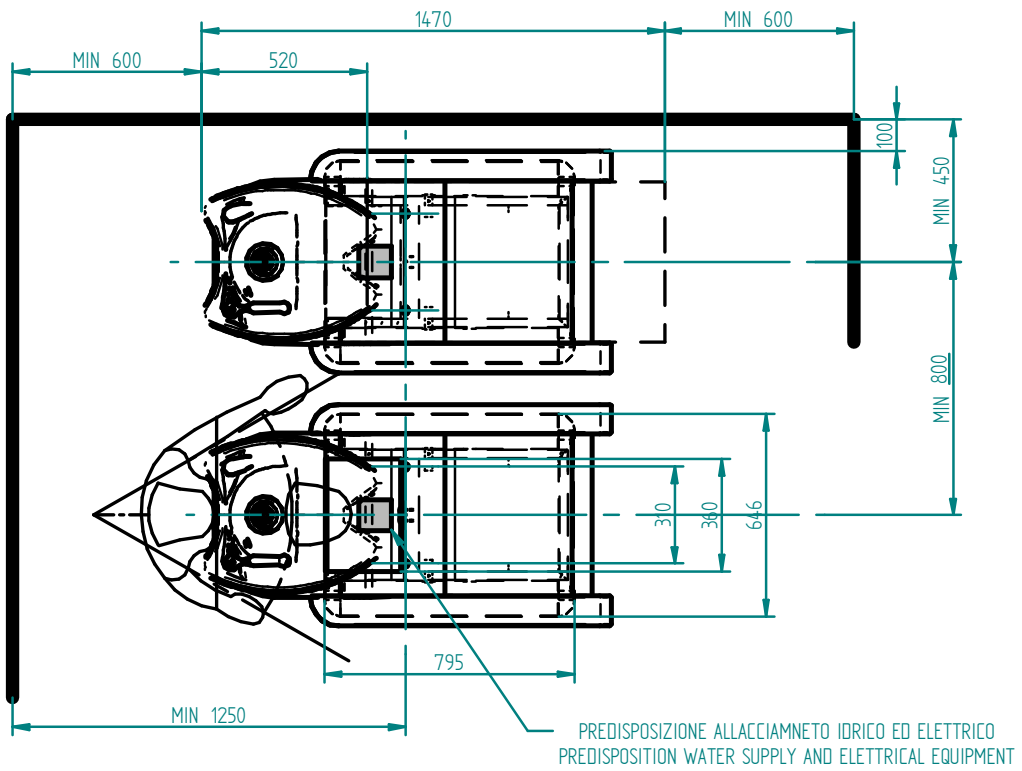
- Ambient temperature from +5°C to +50°C
- Max. relative humidity 80%

- OVERALL TECHNICAL DRAWING



- INSTALLATION SITE

- o Preparation for the electrical and water connections



A cock for shutting off the hot and cold water must be installed on the supply side of each appliance.
Connections to the sewer network must be made with a Ø 40 mm drain pipe.

WARNING:

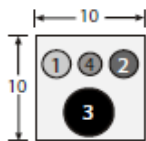
The appliance is without a trap. Remember to install this device in the plumbing system.

Connection to the electricity main is 230 V ~ 50 Hz P+N+E. The maximum electric power consumption of the wash unit is approx. 200 W.

The water and electricity supplies of the wash unit must be easy to access so that they can be shut off if necessary.

Water supply layout

Disposizione Impianti



1 = Calda 3/8"
2 = Fredda 3/8"
3 = Scarico Ø 40mm
4 = Uscita a cavi elettrici (dove richiesto)
Cavo 3x1 (600 mm) - 220/240 V - 50 Hz/60 Hz

1 = Hot 3/8"
2 = Cold 3/8"
3 = Ø 40 mm drain
4 = Electric cable outlet (where required)
3x1 cable (600 mm) - 220/240 V - 50 Hz/60 Hz

Electric circuit layout

- Electric cable outlet from floor (where required) 3x1 sq mm cable L. 600 mm

Technical specifications

- Test pressure = **15 bar**
- Cold water supply = **blue pointer on right**
- Hot water supply = **red pointer on left**

Limits of use according to UNI 10234 (EN 817):

- Pressure = **MIN. 0.5 bar MAX 10 bar**
- Temperature = **MAX 90°C**

Limits of use recommended by UNI 10234 (EN 817) for correct operation of the faucet

- Pressure = **MIN 0.5 bar MAX 5 bar**
- Temperature = **MAX 65°C**

Caution:

All the pipes in the installation must be thoroughly washed and rinsed to prevent damage to the cocks and valves caused by residues in the pipes.

- A pressure reducer must be installed if the operating pressure exceeds 5 bar.
- It is also advisable to install a centralized filter if the water contains a high concentration of impurities.

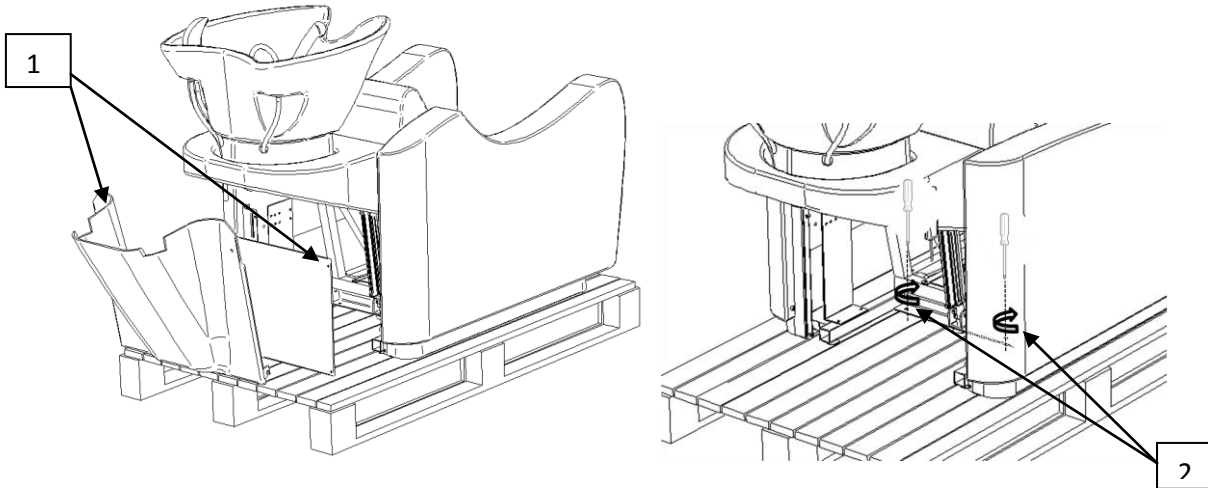
- INSTALLATION

Preparation

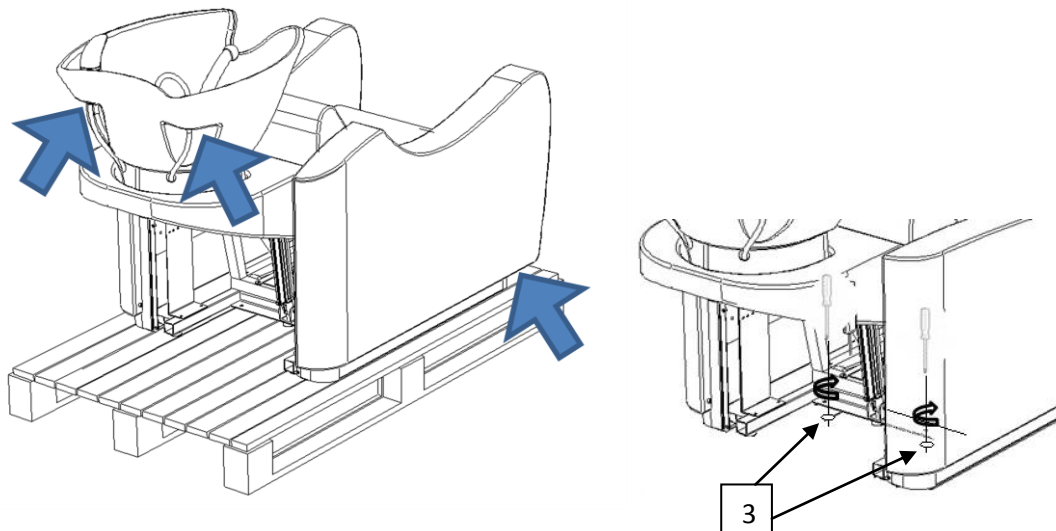
- 1) Remove the packaging materials from the top and sides, but leave the wash unit mounted on the pallet so that it can be easily transported. Remove the protections from the wash unit along with any accessories in the packaging.
- 2) Mark the position of the wash unit on the floor and the positions of the holes for the fixing bolts.

How to fix the wash unit in place

- 1) Remove the screws (1) holding the rear cover. Unscrew the two screws holding the wash to the pallet (2).



- 2) Lift the washing through the points indicated and place it on the ground at the setpoint. Place the two diskettes provided Nylon (3) under the base of the wash and fix it to the ground with screw anchors suitable for the type of material that makes up the floor, using the holes provided.



- 3) Make all the installations for the **plumbing system** using 3/8" unions. A cock for shutting off the hot and cold water must be installed on the supply side of each appliance.

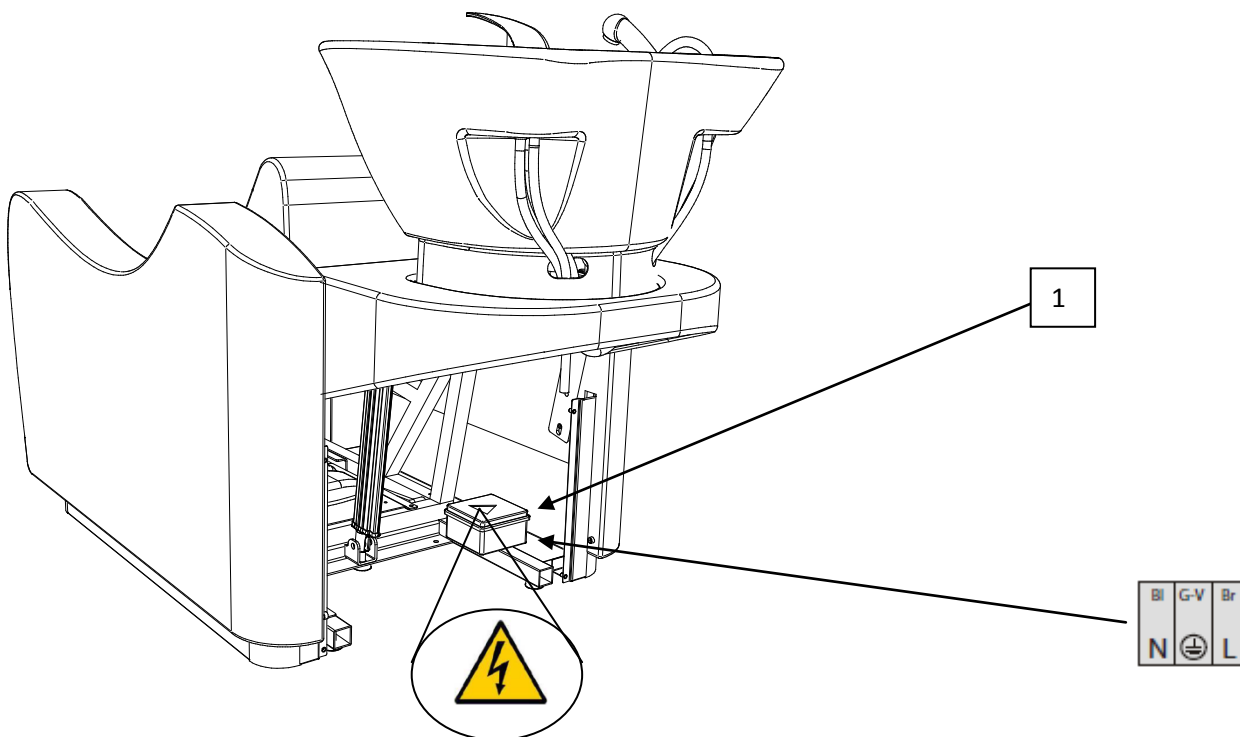
Connections to the **sewer network** must be made with a \varnothing 40 mm drain pipe.

- 4) Make the **electrical connections** by opening the junction box (1) of the wash unit and connecting the mains conductors to the terminal box in points N - L and Earth derived from a switch-disconnector installed near the appliance, in accordance with the Laws and regulations in force in the place of use. The appliance must now be fully tested. Remember that it is necessary to check for the presence and functionality of the residual current protection for the protection of persons against indirect contacts.

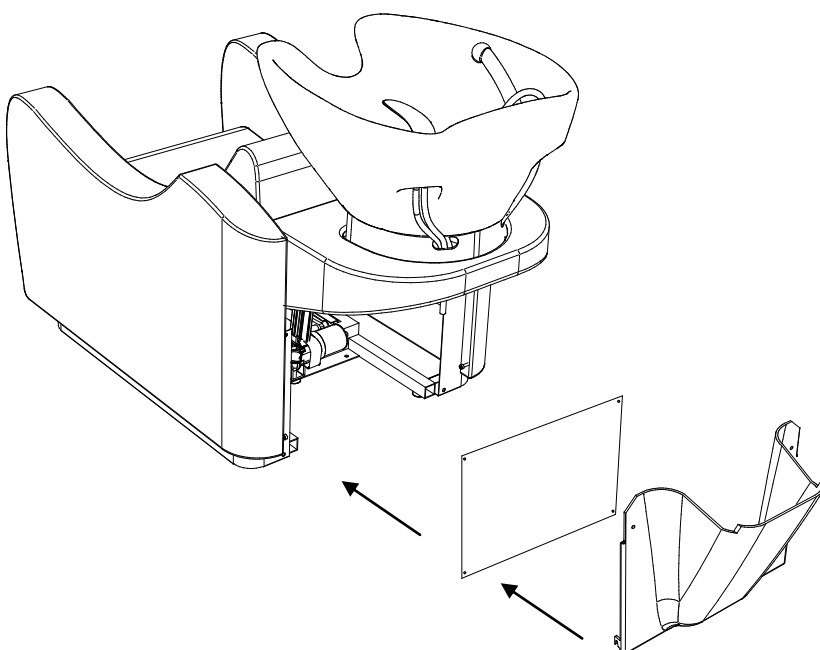
Warning

- Provide gauge cables whereas the movements of the seat, to avoid subjecting the power cables and pedals in tension or compression.

Since it is not possible to determine in advance the length of the power cord to the needs of each customer, the machine is supplied with cable and plug schuko length 1.5 m; by the installer will create the electrical connection of the device easily accessible circuit breaker $I_n = 10\text{ A}$, $I_{dn} = 30\text{mA}$, in compliance with the laws in force in the country of use and the instructions contained in the instruction booklet of installation, use and maintenance.



5) Once the wash unit has been fixed in place, assemble its protective casings on their fixing brackets..

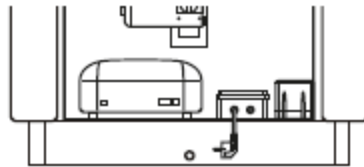


- USE

How to switch on the wash unit

The wash unit is switched on by closing the electric circuit-breaker installed on the supply side of the appliance.

The Operator must wear close-fitting garments. Avoid wearing scarves, necklaces or other objects that could become caught between the fixed and movable parts of the appliance. The same rules apply to the person undergoing the treatment.



“Relax” controls

Backwash units with the Relax function encourage conditions of absolute relaxation.

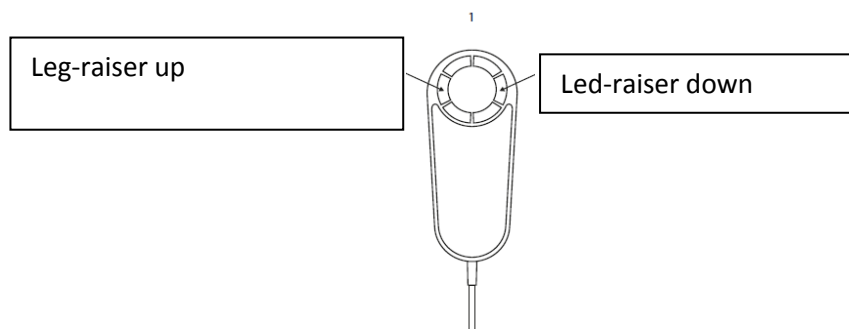
The leg-raiser angle can be adjusted to achieve a relaxing position, thereby reducing spinal disc pressure and providing good neck support.

Electric leg-raiser keypad

This keypad (1) activates the device that adjusts the position of the leg-raiser feature of the backwash unit.

Electric leg-raiser keypad

This keypad activates the device that adjusts the position of the leg-raiser feature of the backwash unit.



Air controls

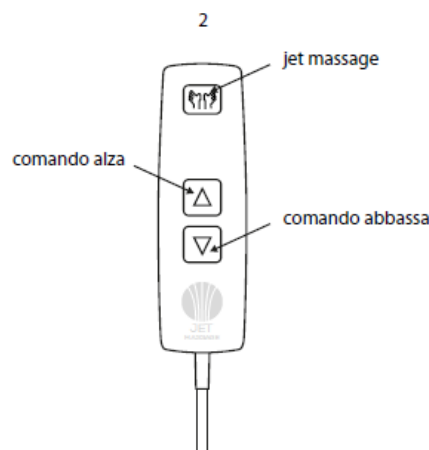
Backwash units with the Air massaging system increase the client's sensation of well-being, stimulate the blood circulation and relax the muscles.

They are equipped with a massaging mat formed by a series of sections that inflate automatically in programmed sequence.

This function creates a wave of moving pressure that produces a draining and toning effect.

Massage keypad

The massaging action is turned on and off with this keypad. The functions are described below.



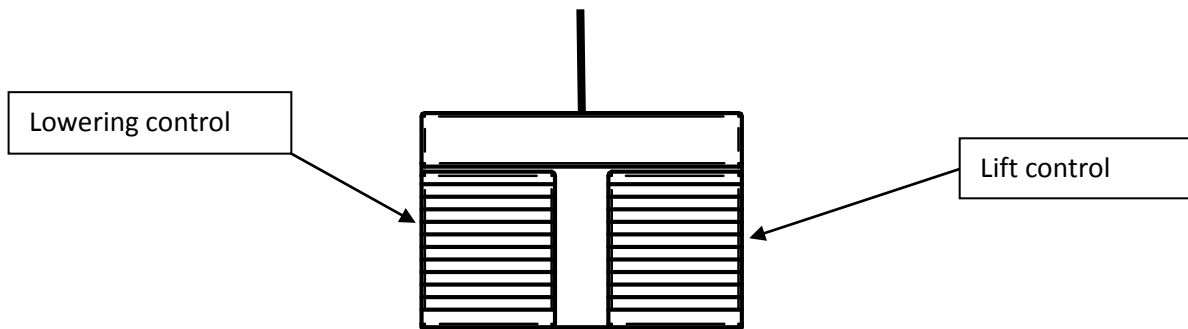
Lift control

This Control allows the wash unit to be lifted and lowered by means of a foot control installed in the rear part. Adjustment of the height of the wash unit allows the Operator to work in the ideal position.

The wash unit has been designed to improve the health of the operator by preventing muscle and joint contracture due to an incorrect posture, while also ensuring the utmost comfort for both the operator and hair stylist.

The Wen Lift wash unit also allows specific treatments for the hair and scalp to be performed. In the basic position, the operator can apply the treatments while sitting comfortably on the stool: its specific proportions and overall dimensions have been carefully researched to ensure the utmost efficiency and maximum ergonomics for the operator, thereby safeguarding his/her health.

Foot control for the lift function



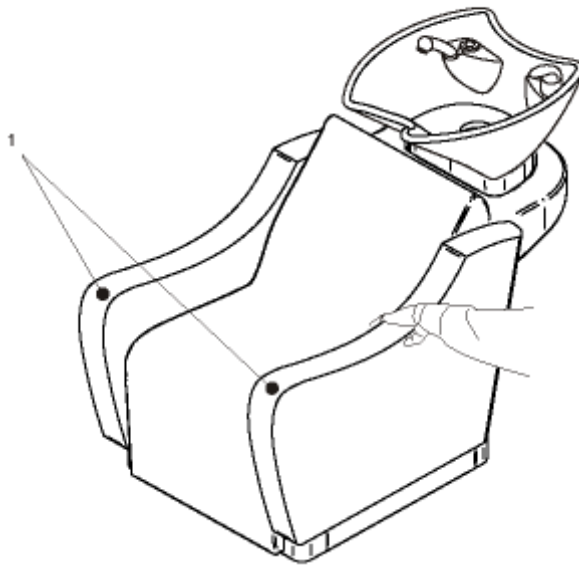
- DISCONNECTION FOR MAINTENANCE

Before proceeding with any maintenance work, always disconnect the wash unit from the electric power supply by means of the main switch or by disconnecting the power socket. Also shut off the water supply cock.

- ROUTINE MAINTENANCE

Armchair

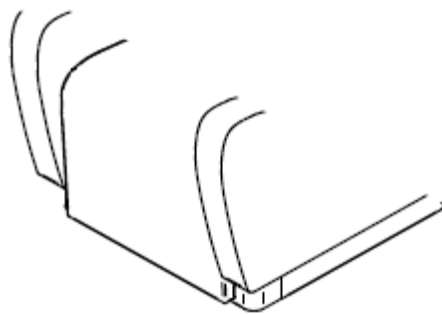
- Check the state of wear of the **armchair** each month.
- Check every six months to make sure that the **armrests (1)** are securely fixed and steady.



Leg-raiser and lift unit

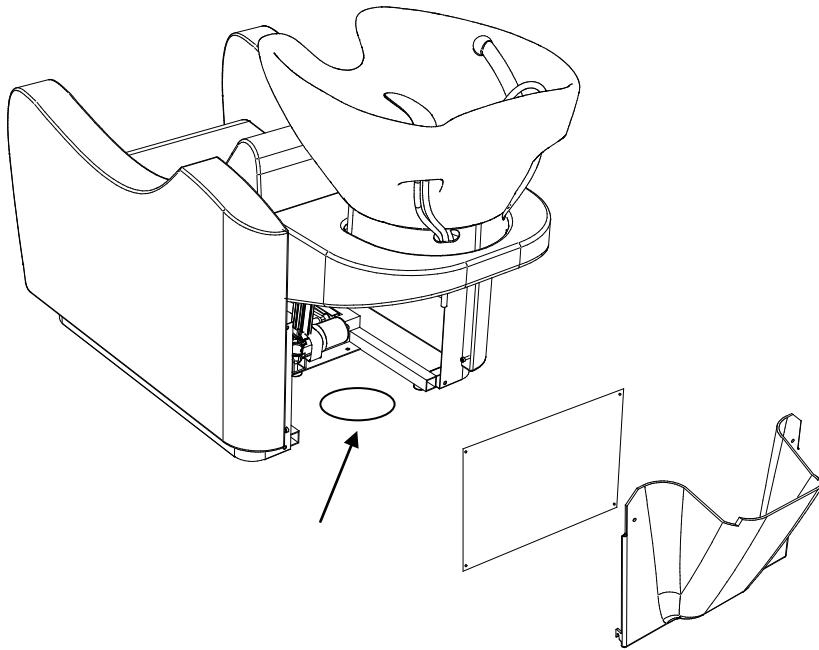
If the unit fails to function, check to make sure that:

- The electric power supply **plug** has been inserted properly

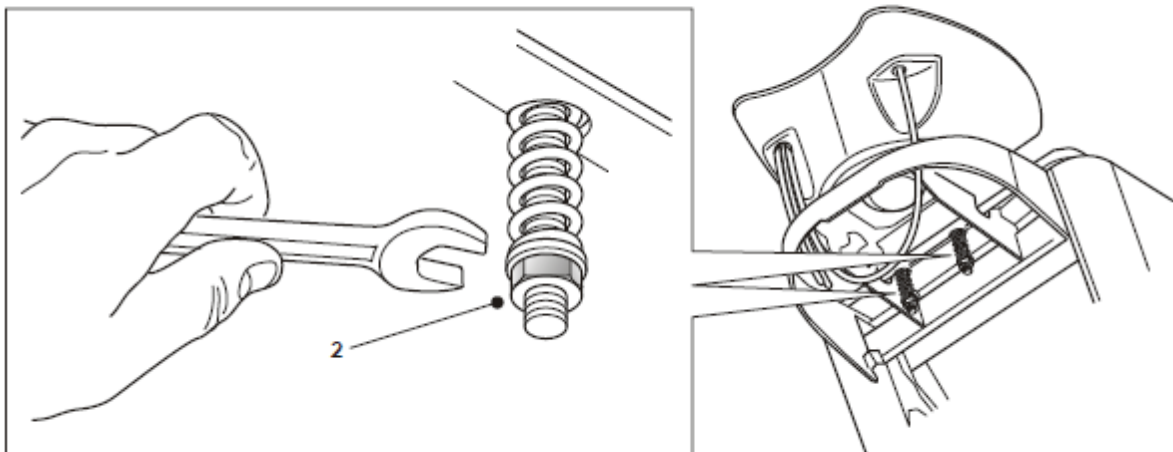


Wash basin unit

- Check once every two months to make sure that **water is not leaking** from under the wash basin as this could damage the base and wash unit installations. To do this, remove the stand casing so as to access the underside of the wash basin.

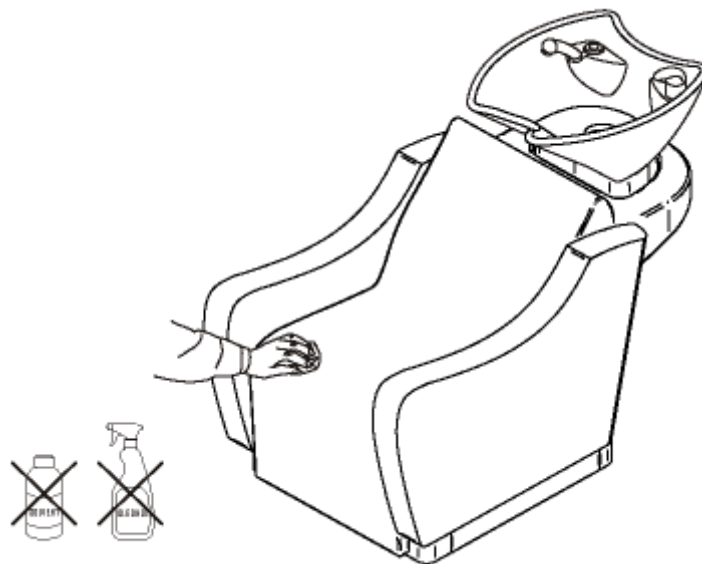


-Check every two months to make sure that the filling system has not worked loose, by tightening the two nuts **(2)** that adjust the stiffness of the wash basin's tilting movement.



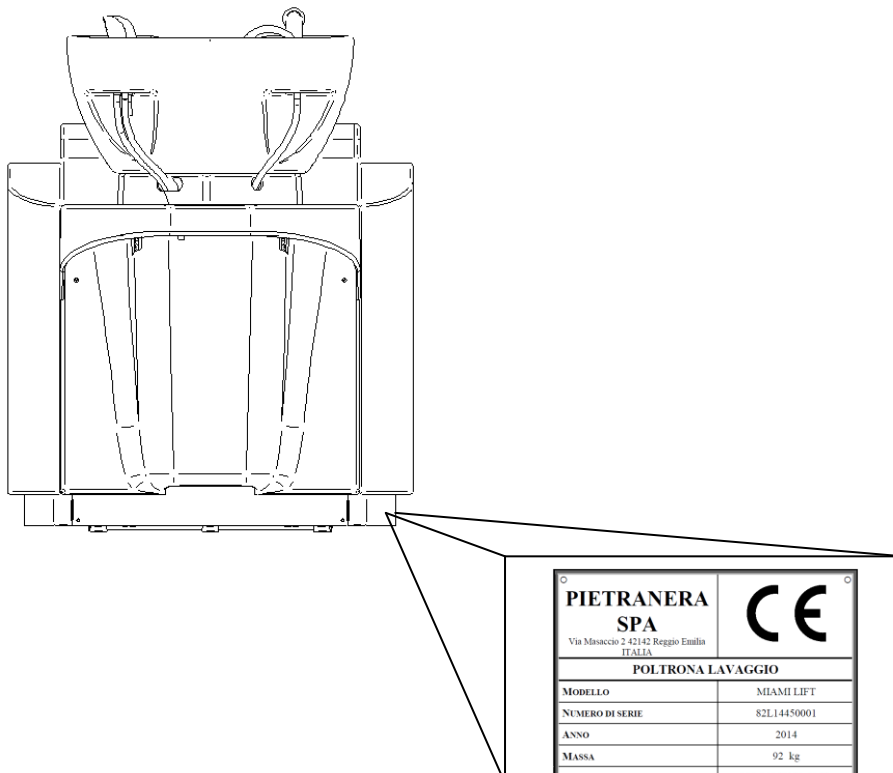
How to clean the surfaces

- Disconnect the wash basin from the electric power source before cleaning the unit or performing other operations.
- Do not use solvents to clean the metal parts, just a damp cloth.
- Only use sanitizing liquid to clean the plastic materials.
- The armchair upholstery must be cleaned with water and neutral soap.
- Do not use alcohol-based products.



- IDENTIFICATION OF THE APPLIANCE

Always state the serial number of the appliance in any communications with the manufacturer or assistance centers.



- INSTRUCTIONS FOR DISPOSAL

Disposal of the packaging

The packaging material is fully recyclable and is marked by the recyclable symbol. None of the packaging materials may be discarded in the environment. They must be disposed of in accordance with the regulations established by the local authorities.

Disposal of the appliance at the end of its life-cycle

In accordance with European Directive 2002/96/EC concerning e-waste from electrical and electronic devices and its relative implementation within the scope of the national laws, electrical appliances that have reached the end of their life-cycle must be collected separately and conveyed to an environmentally compatible recycling facility.

By ensuring that this product is disposed of properly, the user contributes towards preventing potentially negative consequences for the health and environment.

Contact the pertinent local office or waste collection service for further details about how to treat, recover and recycle this product.



PIETRANERA S.p.A.
VIA MASACCIO, 2 (Z.I. MANCASALE) - 42124 REGGIO EMILIA (ITALIA) -
TELEFONO +39 0522.516510 - FAX +39 0522.514669