

PIETRANERA S.r.l.
 Via Mancasale, 2 - Z.I. Mancasale - 42100 Reggio Emilia (Italy)
 Tel. +39.0522.516510 - Fax +39.0522.514669
 E-mail: info@pietranera.com

5'60 + PED + BRACC.

No.ordine / Order / Commande / Pedido:

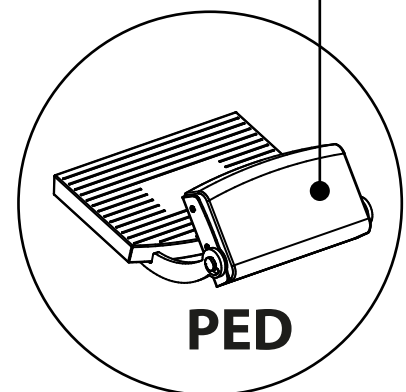
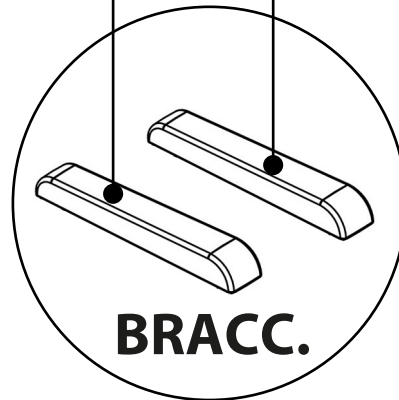
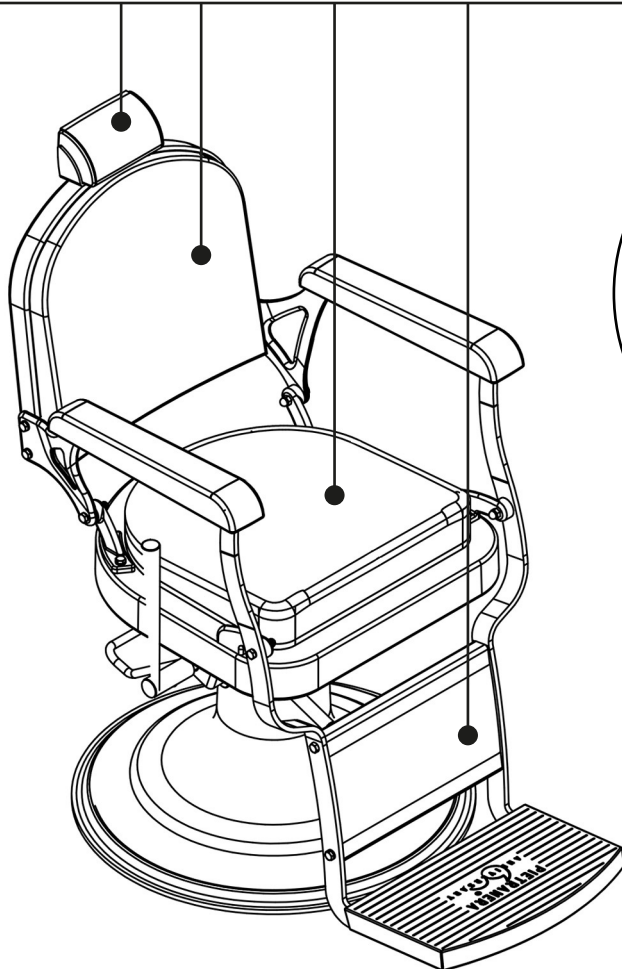
Data / Date / Date / Fecha:

No.articoli / No.article / Piece / Artículo:

Data consegna / Delivery / Livraison / Entrega:

Colore 1 / Colour 1 / Couleur 1 / Color 1

Cod:



Note / Note :