

ISTRUZIONI DI MONTAGGIO

(I)

Eseguire la tracciatura a la foratura del muro (A), quindi inserire i tasselli (B). Appoggiare il supporto e il poggiatesta al muro (C) fissarli tramite le apposite viti. Appendere il montante al supporto (D) e successivamente, applicare il biadesivo. Avvitare i due reggi mensola al montante (E). Montare lo specchio tramite la vite con due fori ciechi utilizzando la pinza Seeger (F). Montare la mensola tramite le due viti con fori ciechi (G). Applicare il marchio (H).

ASSEMBLY INSTRUCTIONS

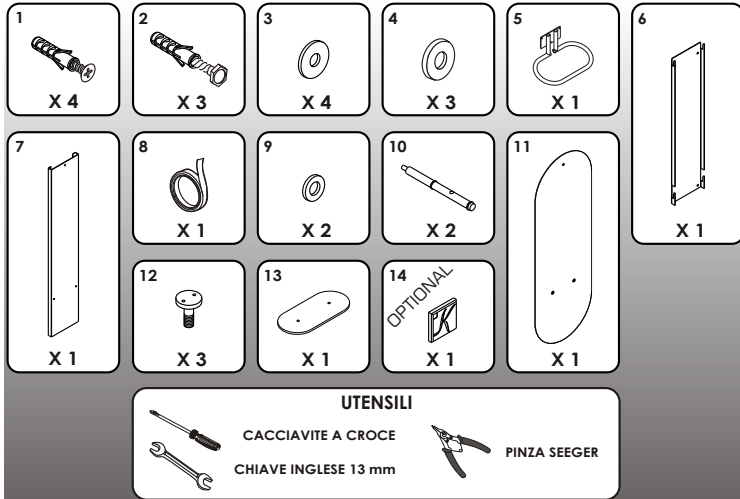
(GB)

Mark and drill the wall (A), then introduce the dowels (B). Fix the footrest and the support to the wall (C) and fasten it with the screws. Hanging the mounting to the support (D) and then fixing by bioadhesive. Screwing the resist consoles to the mounting (E). Assemble the mirror through the screws with two blind holes by the Seeger clamp (F). Fixing the console through the two screws with blind holes (G). Putting the trade mark (H).

INSTRUCTIONS DE MONTAGE

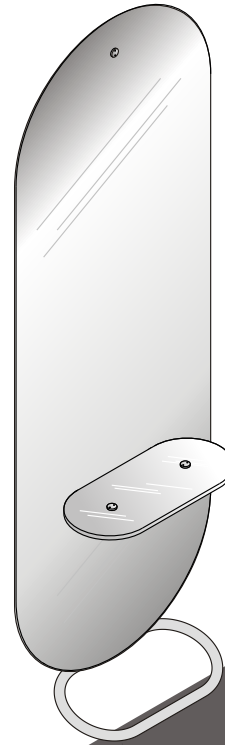
(F)

Faire le tracage et le percement du mur (A), puis mettre les tasseaux (B). Appuyer le support et repose-pied au mur (C) et les fixer par les vis appropriées. Accrocher le montant au support (D) et puis y mettre le bioadhesif. Visser les deux rayons console au montant (E). Fixer le miroir avec deux trous aveugles avec la pince Seeger (F). Fixer le console avec les deux trous aveugles (G). Mettre le marque (H).



Via G.Rossini, 6 - 40050 Villanova di Castenaso (BO) - Italy
Tel. +39-051.782.466 - Fax +39-051.781.704 - www.karismabeauty.com

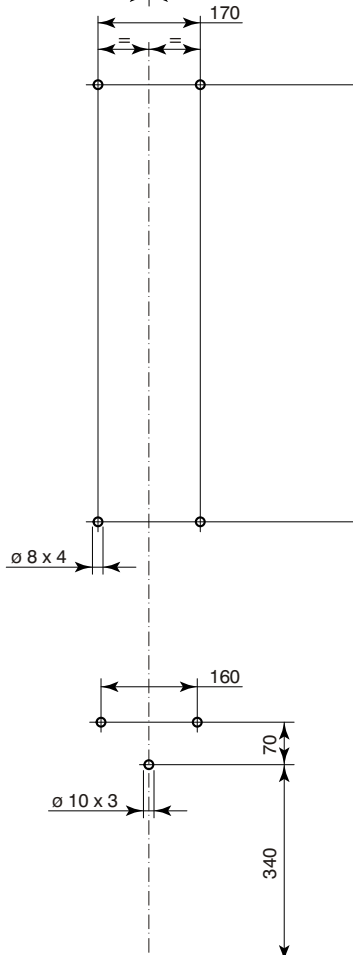
KARISMA
BEAUTY EQUIPMENT



EDGE
ROSS
ROUND

Interasse minimo consigliato

1400 1400



A

B

