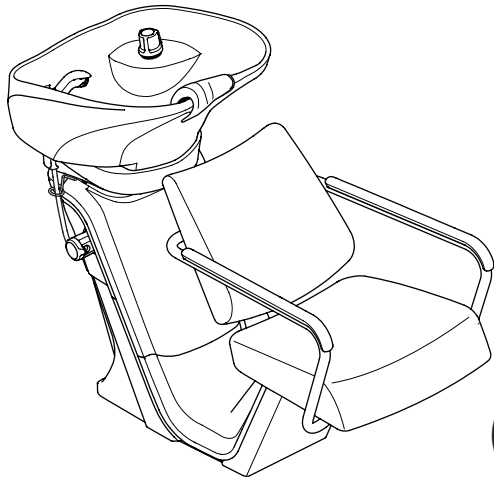
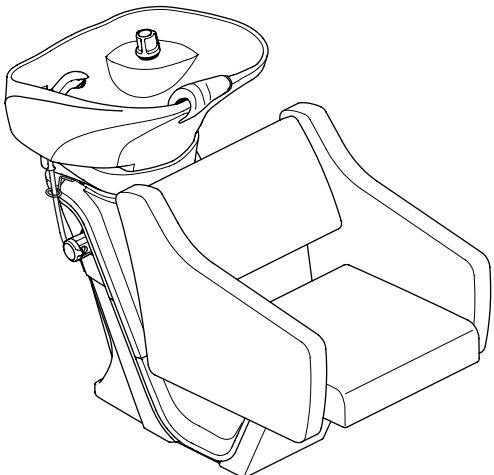


RS III Installation Instructions

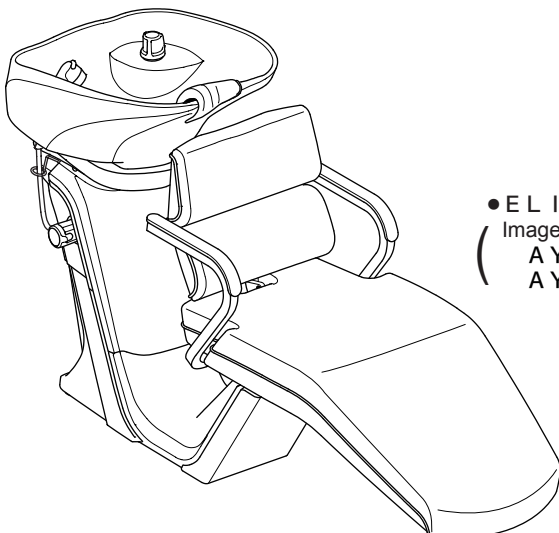
■ RS III



● PRIME
Image is of
(AY-S195X
AY-P069X)



● LUXIS
Image is of
(AY-LUX
AY-P069X)



● ELITE
Image is of
(AY-ELI
AY-P075X)

- AXIS
- PRIMO
- COMFORT
- LITE

Contents

Before installation	2
Usage conditions	3
Content of packaging	4
Carrying the main body	6
1. Installation of Shampoo Unit	7
2. Piping	9
3. Attach the seat	14
<AXIS·PRIMO·LITE·PRIME·LUXIS>	14
<COMFORT>	15
<ELITE>	16
4. Attach cover	16
Dimensions	17
After installation	24
Unit fixing position and Plumbing Layout	26
MEMO	27

To the installer

- The instructions should be thoroughly read and understood before installation to ensure that RSIII is installed correctly.
- After installation, give these instructions to the customer.

To the customers

- Customers must ask professional to install RSIII.
- Customers must not install RSIII by themselves.
- Customers must store these instructions in a safe place so as not to lose them.

* The actual shape of RSIII and the images and dimensions listed in these instructions may be modified and are subject to change without notice.

- The precautions listed here are to ensure that RSIII can be installed safely, and to prevent any danger or risk to the person installing RSIII or those around them. All of these precautions are important for safety. Takara Belmont is not responsible for any damage or risk to the person installing RSIII or those around them due to accidents if RSIII is installed without adhering to the precautions.

Caution

If RSIII is installed after ignoring this symbol, "there is the risk of light or moderate injury or physical damage".

Note : Plumbing should be performed by a qualified technician and should meet all national and local plumbing codes and ordinances. It is the responsibility of purchaser and/or plumber to conform to national and local codes and ordinances. Takara Belmont does not take any responsibility or liability for plumbing and installation.

Before installation

■ Installation of pipes

The following are important points to adhere during the installation of pipes.

Read through the details carefully and ensure that the pipes are installed correctly.

- When installing this product, ensure that installation of pipes adheres to the instructions outlined in "Precautions during installation of pipes". Installing pipes without reading through the precautions will mean water may not mix properly, and a set temperature will not be achieved.
- This product is designed for indoor installation. Always install this product indoors.

■ Precautions during installation of pipes

- Do not use pipes made of materials that may introduce rust for the water supply pipe.
 - In general, VP pipes or other materials specified by regulations in that particular region, are recommended for installation.
- In general, Type L deoxidized copper pipes are recommended for hot water pipes.
- In general, the same diameter and same pressure is recommended for hot water pipes and water supply pipes.
- Always use a reamer to deburr the ends of cut pipes.
- Avoid using inverted U-shaped pipes (siphon) as these can cause air to become trapped.
- Always connect hot water pipes and water supply pipes after removing all contaminants such as dirt, sand and oil as these can cause problems.
- After connecting the pipes and testing water flow, clean the filter and shower head.
- Ensure that the drain pipe is installed at a gradient of 1/50 for a diameter of ϕ 75 or less, or 1/100 for a diameter of ϕ 75 or more.
- Do not connect the hot water pipes and water supply pipes in reverse.
 - Connecting pipes in reverse will mean the temperature of water cannot be controlled properly by the water taps, which can cause problems including burns.
- Ensure that the hot water pipes from water boilers are only run over a short distance so as to minimize resistance.
 - Longer pipes can cause fluctuations in temperature and poor hot water delivery.
- Always wrap pipes with lagging material after installation is complete.
- Water boiler pipes
 - In general, the same diameter and same pressure is recommended for main hot water pipes and main water supply pipes.
 - Ask professional to install water boiler.
- Equipment comes with hair catchers installed.
- Avoid the anchor positions when installing the pipe risers.

■ Request measures to prevent water leakage under the floor and downstairs

Be sure to take the necessary precautions to prepare for and prevent possible water leaks.

- Use waterproof flooring materials.
- If the floor has an opening, cover the opening when completing the interior finishing (waterproofing).
- Install all pipe gaskets.

■ Floor surface

- Ensure that the material or finishing of the floor surface is waterproof or has a waterproof coating applied.
- Always ensure that the floor surface is horizontally level.
- Ensure that the floor surface is smooth and free from bumps around the attachment areas.

○Pipe risers

Hot water / water supply	Rc 1/2"; pipe risers from floor; rise dimensions: hot water 60 mm; water 60 mm
Drainage	VU40/VP40; pipe risers from floor; rise dimensions: 100 mm

○Changing the pipe form RS1

The pipe risers for hot water and the water supply and drainage for RS1 can be used without changing the pipe.

Hot water / water supply	Rc 1/2"; pipe risers from floor; rise dimensions: hot water 90 mm; water 90 mm
Drainage	VU40/VP40; pipe risers from floor; rise dimensions: 90 mm

○Changing the pipe form NRS

Adjust the rise so that the height of the NRS drainage will be 110 mm. The pipe risers for the hot water and the water supply can be used without changing the pipe.

Hot water / water supply	Rc 1/2"; pipe risers from floor; rise dimensions: hot water 80 mm; water 110 mm
Drainage	VU40/VP40; pipe risers from floor; rise dimensions: 110 mm

○If the floor surface is tiled, cracks may occur when fastening the bolts during installation of the RSIII main body.

If this looks likely to happen, use the main body attachment diagram and template as a reference and change the material of the attachment area that is in contact with the floor to another such as plywood or mortar.

○The following levels of strength are required for the floor surface.

Wooden floor	Plywood thickness of 30 mm or more (two 15 mm sheets joined together)
Mortar floor	Mortar thickness of 50 mm or more
Special floor (stone finish)	A foundation with levels of strength listed above around the installation areas is required.

Usage conditions

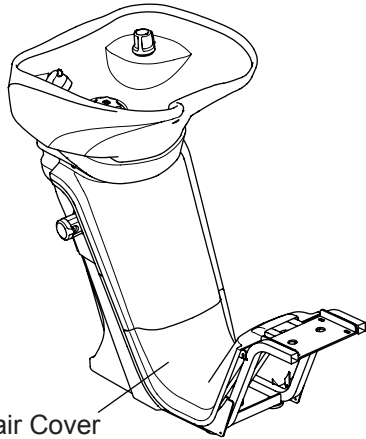
■ Hot water supply and water supply conditions

Water used	<ul style="list-style-type: none"> Public water supply (do not use non-drinkable well water or water that contains rust or sand.) If the water hardness is 80 ppm or higher, install a water softener to prevent the buildup of scale within the basin body. Aeration may be minimal when using shampoo even if drinkable well water is used, so a water softener should be installed.
Hot water supply, water supply pressure	<ul style="list-style-type: none"> Use a pressure between 0.1 and 0.4 MPa (1 to 4 kgf/cm²). If multiple RSIII are used, ensure that the pressure does not drop below 0.1 MPa (1 kgf/cm²). Set the water supply pressure \geq hot water supply pressure. Set the difference between the hot water supply pressure and water supply pressure to within 0.2 MPa (2 kgf/cm²).
Hot water temperature into the product	<ul style="list-style-type: none"> Set the hot water temperature to 80°C or less. Set the temperature 10°C or higher than the shower temperature used.
Water boiler	<ul style="list-style-type: none"> Do not use steam with the hot water supply.

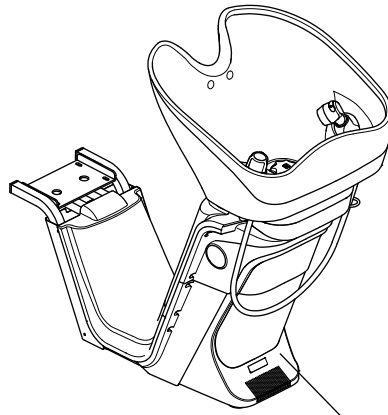
Content of packaging

● Shampoo Unit Side

Shampoo Unit

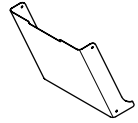


Lower Chair Cover



Maintenance Cover

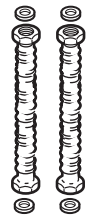
Lower-front Chair Cover



Neck cushion



Flexible pipe (2)
(※)



(L = 200 mm)

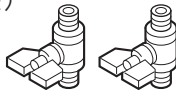
Drain cap



Hair catcher



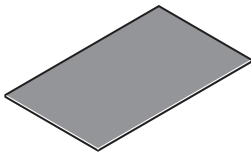
Water stop valve (2)
(※)



Drain hose packing
(※)



Pipe packing



Drain hose clamp
(※)



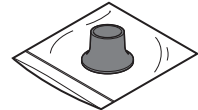
Wrench
(※)



Hexagonal Wrench



Trickle stopper rubbes



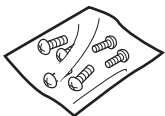
Check valve (2) (For North America only)

Flow Regulator (2) (For North America only)

Braid hose L=600mm (2) (For North America only)

Screw Set for Cover

M4 x 16 truss-head tapping screw 4 pcs.
M5 x 12 truss-head tapping screw (with PE packing) 2 pcs.



Shampoo Unit Floor Screw Set

M8 x 70 anchor bolt 6 pcs.
M8 x 65 hexagonal tapping bolt 6 pcs.
Plain washer 6 pcs.



Operation Instruction Manual

Installation Instruction Manual

Operation Instruction Manual for Trickle stopper rubber

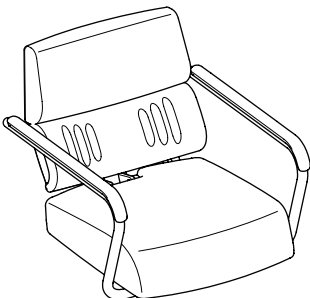
Shower Head Cleaning Manual (※)

Setting Sheet (※)

Note. For North America, the part marked "※" is not included.

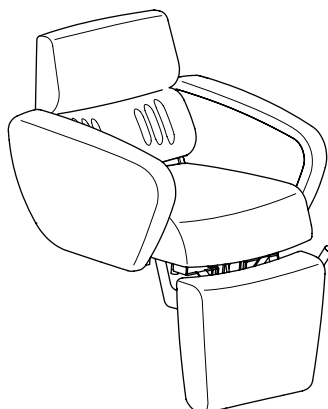
● Chair Side < A X I S · P R I M O >

● Chair Main Unit (A X I S)
(The illustration shows SU-AXLL.)



OR

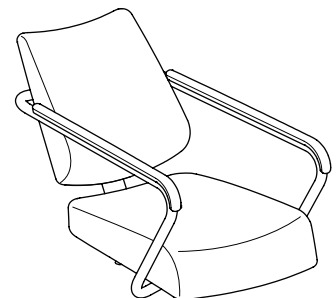
● Chair Main Unit (P R I M O)
(The illustration shows SU-PRLLL.)



● Chair Fixing Screws
M8 x 70 Hexagonal head bolt (with plain washer/spring washer) 4 pcs.

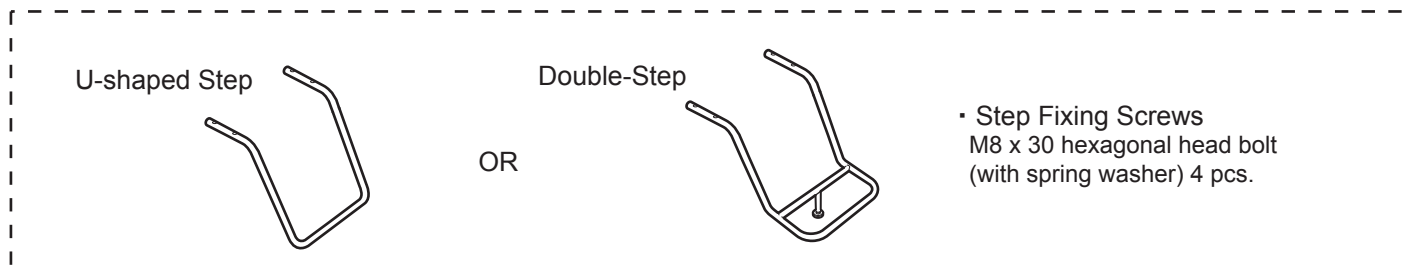
● Chair Side < L I T E >

● Chair Main Unit (L I T E)
(The illustration shows SU-LI.)



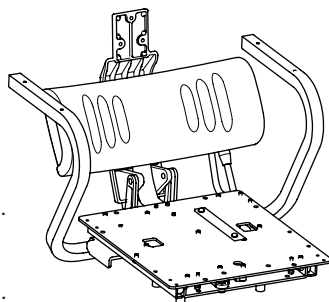
● Chair Fixing Screws
M8 x 90 Hexagonal head bolt (with plain washer/spring washer) 4 pcs.

●Step<A X I S · P R I M O · L I T E>



●Chair Side<C O M F O R T>

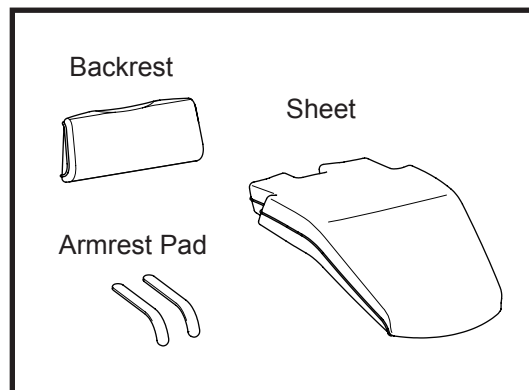
- Chair Main Unit (COMFORT)
(The illustration shows SC-COL.)



- Chair Fixing Screws
M8 x 70 Hexagonal head bolt
(with plain washer/spring washer) 4 pcs.
- Sheet Set Fixing Screws
M6 x 25 Pan-head machine screw 3 pcs.
M5 x 30 Truss-head screw 4 pcs.
M8 x 30 Pan-head machine screw 4 pcs.
M6 x 15 Pan-head machine screw 2 pcs.

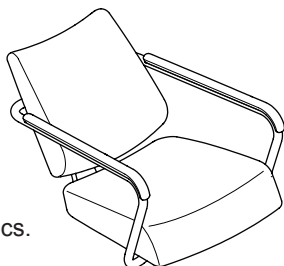
●Sheet Set <C O M F O R T>

(The illustration shows SU-COL.)



●Chair Side <P R I M E>

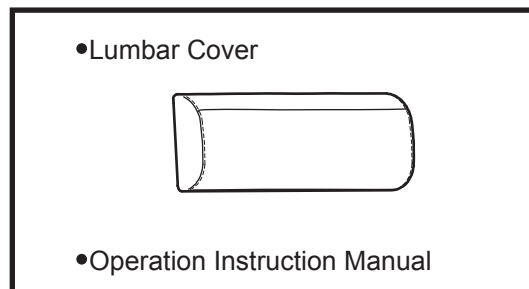
- Chair Main Unit (PRIME)
(The illustration shows AY-S195X.)



- Chair Fixing Screws
M8 x 50 Hexagonal head bolt
(with plain washer/spring washer) 4 pcs.

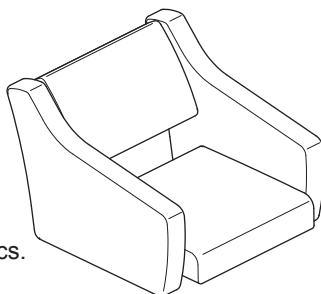
●Lumbar Cover Set

<A X I S · P R I M O · C O M F O R T>



●Chair Side <L U X I S>

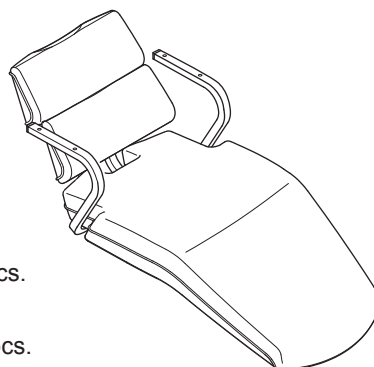
- Chair Main Unit (LUXIS)
(The illustration shows AY-LUX.)



- Chair Fixing Screws
M8 x 35 Hexagonal head bolt
(with plain washer/spring washer) 4 pcs.

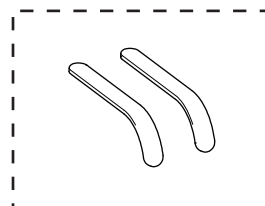
●Chair Side <E L I T E>

- Chair Main Unit (ELITE)
(The illustration shows AY-ELI.)



- Chair Fixing Screws
M8 x 55 Hexagonal head bolt
(with plain washer/spring washer) 4 pcs.
- Armrest Pad Fixing Screws
M5 x 30 Truss-head screw 4 pcs.

●Armrest Pad <E L I T E>



Carrying the main body

■ Carrying in the Shampoo Unit

- 1 Detach the lower chair cover and the maintenance cover from the shampoo unit.

⚠ Caution

Place the detached covers in a safe area.

- 2 Detach the shampoo unit from the skid.

○ While supporting the shampoo basin with the hands, remove the hexagonal head bolts (phillips head)(M8 x 50) from the shampoo unit base (four locations).

※ Return the skid to the company after installing the shampoo unit.
Do not remove the iron plate mounted on the skid.

⚠ Caution

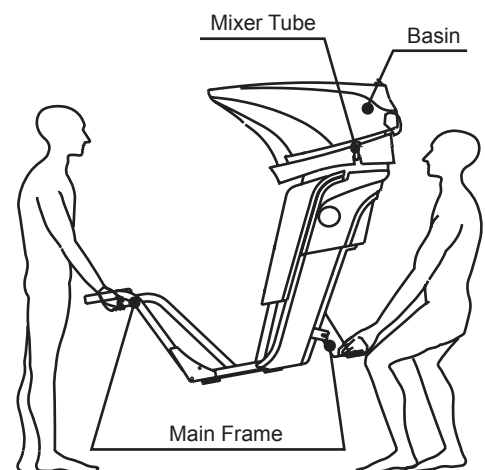
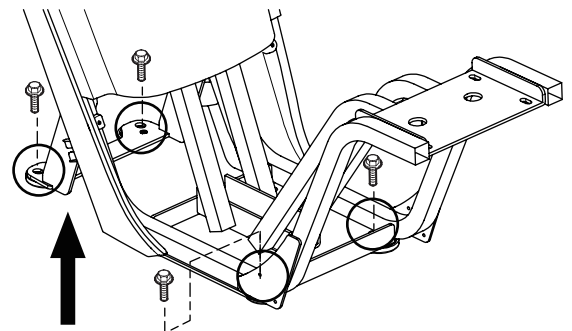
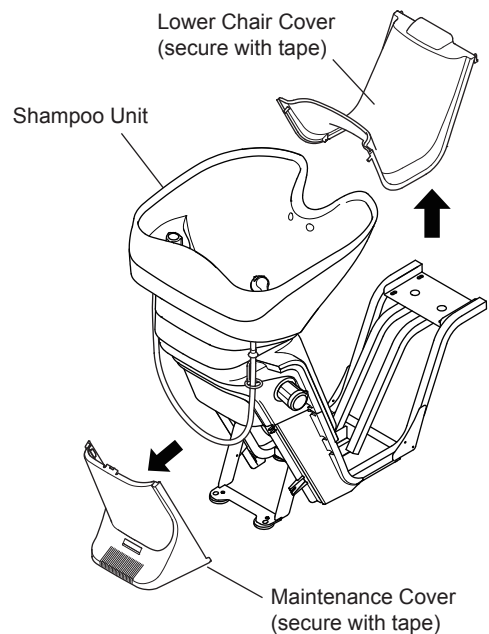
Always have at least two people to carry the main body and hold the basin when remove the bolt. Otherwise the basin is likely to fall.

- 3 Precaution for carrying the shampoo unit

○ When carrying the shampoo unit, be sure to hold it by the frame.
Do not hold it by the mixer tube located on the side of the basin.

⚠ Caution

- When carrying the basin unit, be careful not to hold it at the basin part. The basin may move depending on the product specifications. Be sure to carry it by holding it at the frame.
- Since the basin unit tends to tumble, be sure to carry the basin while maintaining balance.
- Do not carry the basin with the parts on it.
- Never hold the basin unit (ceramic work) at the band end. Failure to follow this instructions may result in breakage of the basin.
- Do not hold the main body cover.
- Doing so may cause damage to the main body cover.
- Take care when handling the basin as it is heavy and fragile.
- Do not drag the unit.
The foot part of the basin is made of steel, so dragging it may damage the floor surface or crack the basin itself.
- The basin may become damaged if scratched by metallic objects such as watches or belts.
Remove all metallic objects such as watches when carrying the basin.
- Take extra care to ensure not to damage the covers.
- Do not touch the basin body pipes.
Doing so may cause water leaks.
- The basin is unstable when it is not fixed to the floor.



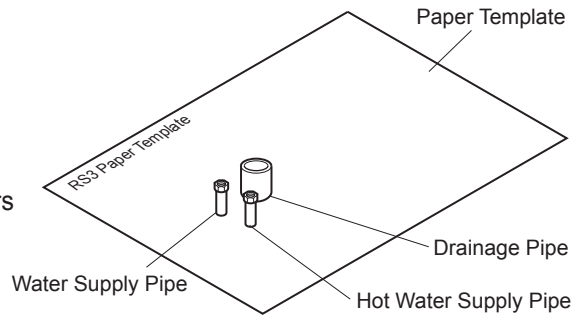
1 Installation of Shampoo Unit

1 Marking the bolt anchor points

- (1) Set the dedicated paper template on the floor, and align it with the water, hot water, and drainage pipe risers.
- (2) Mark the bolt anchor position of the basin main unit.
- (3) Drill holes at the bolt anchor position of the basin main unit.
- (4) Remove the paper template.

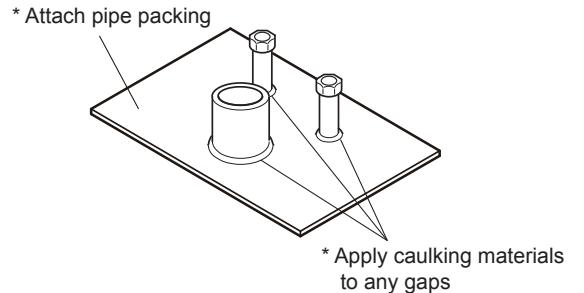
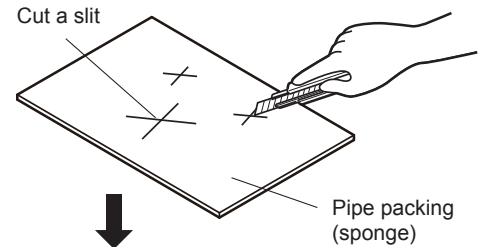
■ Request measures to prevent water leakage under the floor and downstairs. Be sure to take the necessary precautions to prepare for and prevent possible water leaks.

- Use waterproof flooring materials.
- If the floor has an opening, cover the opening when completing the interior finishing (waterproofing).
- Install all pipe gaskets.



2 Attach pipe packing

- (1) Cut a slit in the pipe packing to suit the position of the pipes to be installed.
- (2) Peel away the sheet from the adhesive surface of the pipe packing and stick to the floor surface.
- (3) Cut out a circle around the slit cut in the pipe packing to suit the pipe surface, and fill in any gaps with caulking materials.

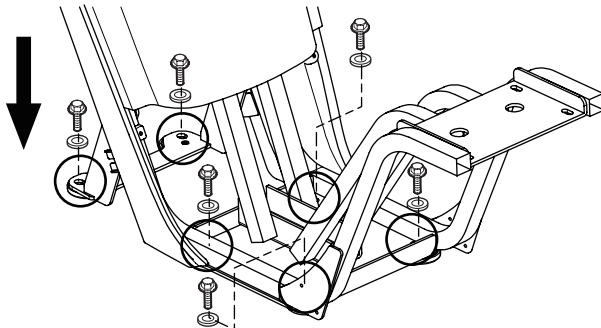


⚠ Caution

- Always attach pipe packing and apply caulking materials to the areas around the pipes so that there are no gaps, in order to prevent condensation within RSIII or water seeping on the floor in the event of water leaks.
- If pipe packing is not used, condensation may cause water to pool on the floor, structural parts may start degrading and malfunctions may occur.

3 Fixing the Shampoo Unit on the Floor

Align the shampoo unit with the marked positions on the floor and anchor the unit with the bolts (six locations).



Bolts to be used (supplied with the shampoo unit):

- Plywood Floor
Hexagonal head tapping bolt + plain washer
(8 mm x 65)
- Concrete Floor
Anchor bolt + plain washer
(M8 x 70, Pilot drill hole 8.5 mm)
(Use the wrench with the opposite side distance of 12 mm.)

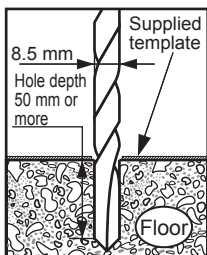
⚠ Caution

Be sure to use a plain washer when securing the bolt.

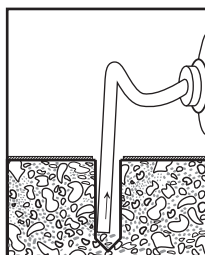
⚠ Caution

The strength of the anchor bolts will be reduced if they are hammered into the hole while touching the bottom. Open up a gap.

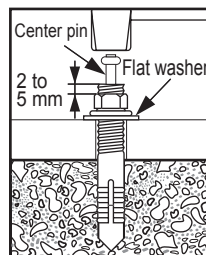
● Installation process for anchor bolts



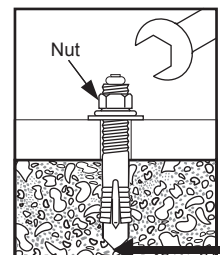
- (1) Drill open a hole of the specified diameter and depth.



- (2) Remove the dust from each anchor hole by cleaning with a vacuum cleaner.



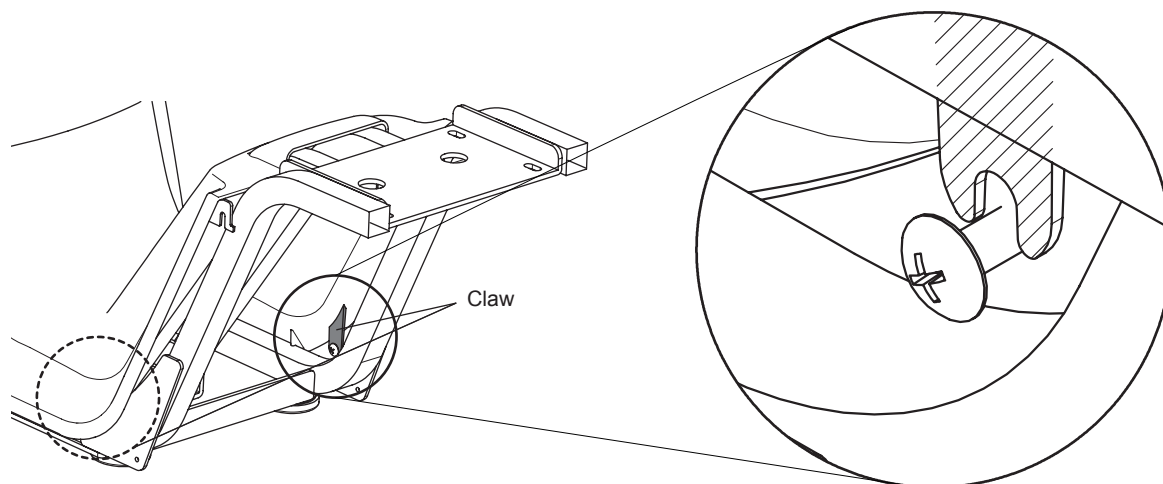
- (3) Insert the anchor bolt and tap it with a hammer until the center pin makes contact with the base plate.



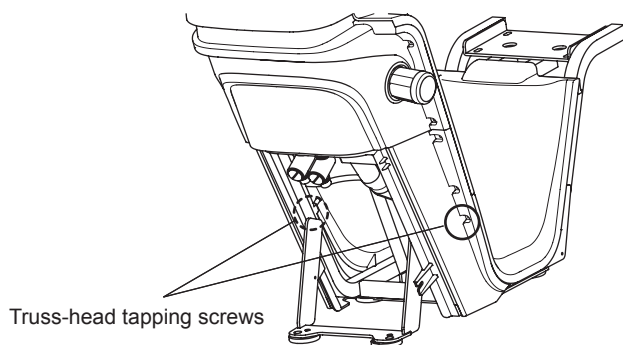
- (4) Adjust the fastening strength of the nut using a wrench.

4 Installing the Lower Chair Cover

(1) Set the lower chair cover so that the claw of the cover will hang on the tentatively fixed truss-head screw (M5 x 12).

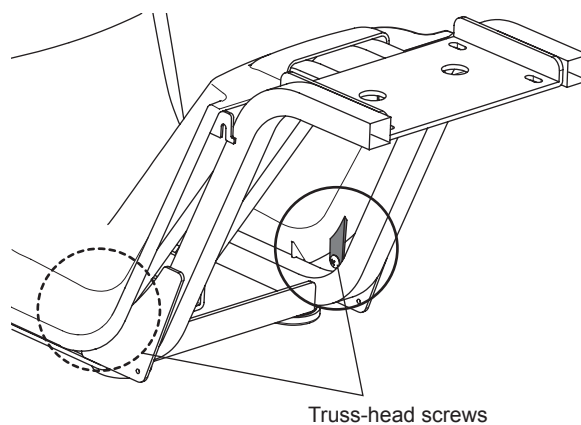


(2) Secure the cover with the truss-head tapping screws (two locations).



Screws to be used (supplied with the shampoo unit):
Truss-head tapping screw (M4 x 16)

(3) Fully tighten the truss-head screws (two locations).



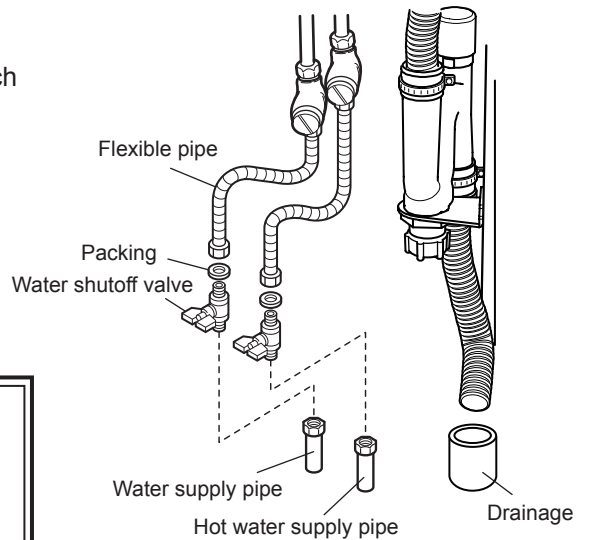
2 Piping

<excluding AY-P073X,AY-074X>

1 Installing the Flexible Pipe

Before connecting the pipes, remove any waste from the pipes, such as dust, dirt, sand, or oil. Connect the water shutoff valve to the hot water/water supply pipes. Then, apply the furnished packing to the flexible pipe and connect the pipe to the water shutoff valve.

- Be sure to use the furnished packing. Failure to use the packing may result in water leaks.
- Be careful to avoid connecting the pipes for hot water and water adversely.

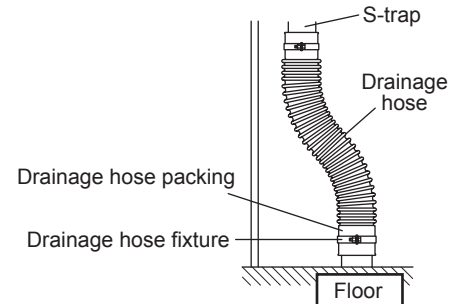


Caution < Changing the pipe form RS1/NRS>

A flexible pipe of L = 200 mm is supplied with the product. When changing the pipe, the length of the flexible pipe may not be correct. Prepare flexible pipe in the appropriate length for the work before implementing the replacement or change.

Caution

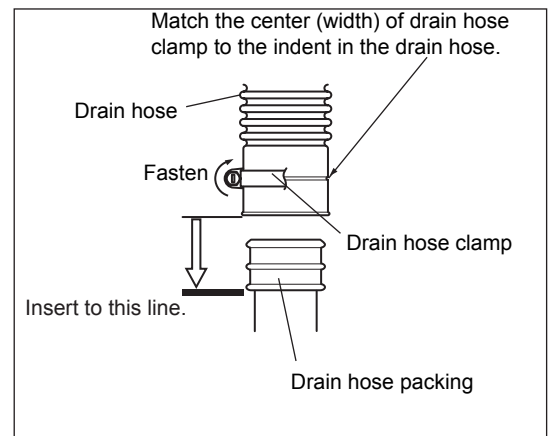
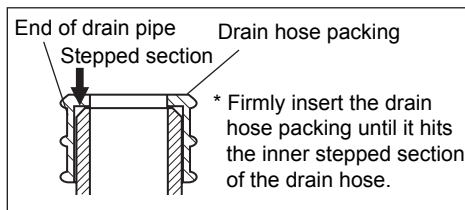
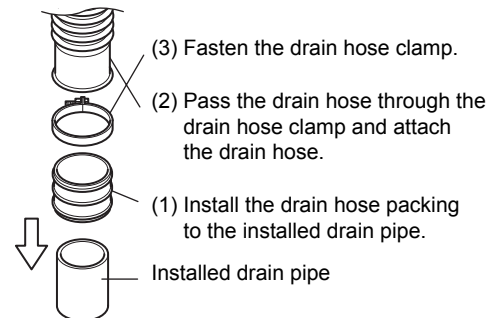
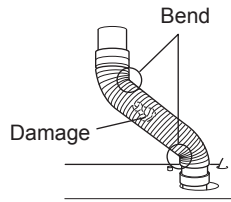
When changing the pipe from NRS, the height (rise) of the drainage pipe must be adjusted. Detach the joint connected to the drainage pipe and make the adjustment so that the height (rise) of the drainage pipe is 110 mm. When changing the pipe from RS1, the pipe can be used as is. (Height of drainage riser = 90 mm)



2 Attach drain hose to installed drain pipe

Caution

- Check that the drain hose is not bent or damaged. This may affect water flow or damage the drain hose.
- Check that the drain hose clamp is firmly fastened. If it is not fastened, water may leak or the drain hose may come loose.
- Check that the hose is not in the shape of an Double trap. An Double trap can adversely affect the flow of drainage water. If the drain pipe layout causes an Double trap to be formed, check the installation position of the basin body and piping dimensions, and make the necessary adjustments.



3 Test water flow

Caution

Always test the water flow to prevent accidents during use.

* Test the water flow and inspect the following items. The hot water may be slightly tainted at the start of the water flow test, however this does not indicate any problem.

* For safety reasons, the product's thermostat is designed so that the hot water does not exceed 53°C.

(if the supply pressure is the same, water is 20°C and hot water is 60°C)

(1) Is there no water leaking from the pipe joints?

The pipe joints may come loose during transportation, so check the joints within the basin thoroughly.

(2) Are the hot water supply and water supply pressures at the same, stable pressure?

If the pressure is not the same, see "How to adjust faulty temperature regulation" below.

(3) Can temperature be controlled properly?

(4) Check that the shower outlet flow is sufficient, by the following as a guide for flow rate.

Shower outlet flow rate

Hot water supply pressure, water supply pressure:	0.1 MPa each
Shower outlet temperature	: 40°C

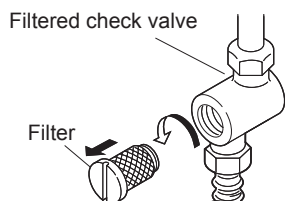
Aeration shower head	: Approximately 8 L/min
Spa shower head (Aeration)	: Approximately 8 L/min
(shower)	: Approximately 9 L/min

● Cleaning

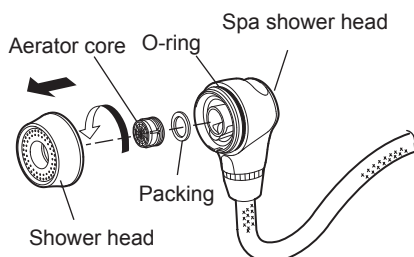
After the hot water becomes clear during the water flow test, always clean the filter (within the check valve) and shower head.

Failure to do so can result in insufficient flow rate and faulty temperature regulation.

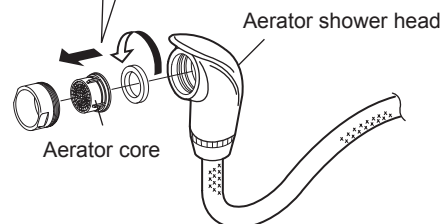
Remove and clean any dirt trapped within the filter pipe



Remove and clean any dirt trapped within the shower head



Detach the aerator core by using the furnished wrench.



— How to adjust faulty temperature regulation —

○ Contents of defect

- ① Something wrong with hot water (Temperature is unstable)
- ② Hot water (high temperature) does not come out
- ③ Water (low temperature) does not come out

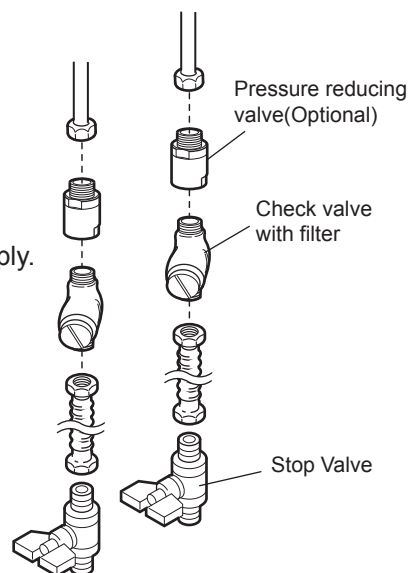
○ Presumed cause

- ① There is difference in the water supply or hot-water supply pressure, or the pressure of hot water supply is higher than the pressure of water supply.
the pressure of water supply \geq the pressure of hot water supply
[The difference should be in the range of 0.2Mpa]
- ② Pressure of water supply and hot water supply is high
[These two should be in the range between 0.1 and 0.4MPa]

○ How to react

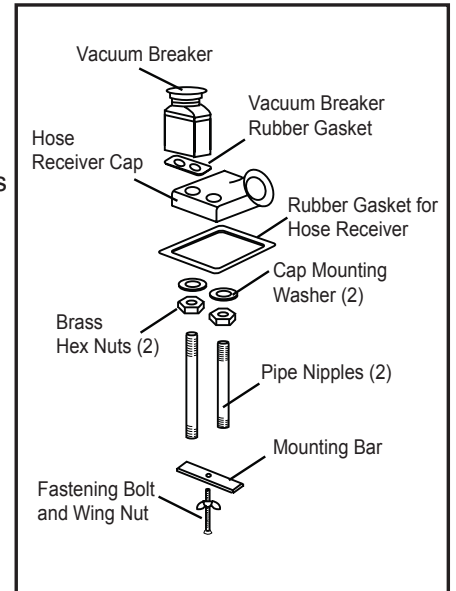
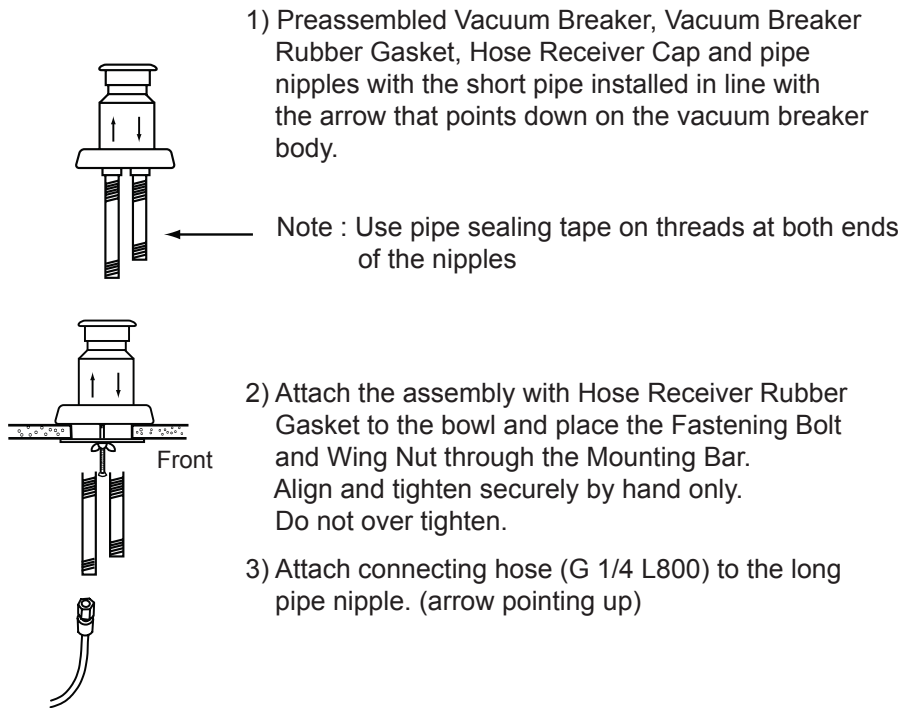
Connect a pressure reducing valve (Optional) on the upper side (mixer side) of the filtered check valve, then adjust the pressure.

(It is recommended that water supply pressure and hot water supply pressure become the same pressure)



<AY-P073X,AY-074X>

1. Attach the vacuum breaker



2. Attach the faucet

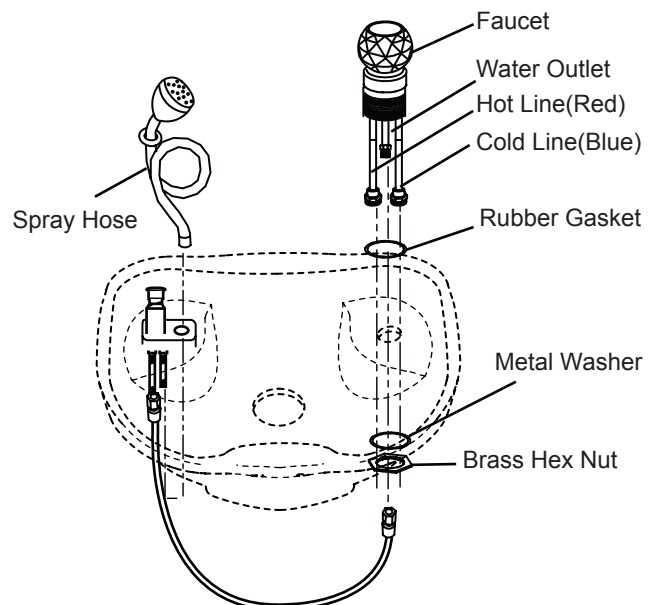
Note : Secure the flexible hose of Faucet prior to mounting bowl

Note : Flushing hot and cold lines before attaching Faucet recommended

Note : Use pipe sealing tape on threads

- 1) Insert #550 Faucet with Rubber Gasket into Bowl as shown.
- 2) Place Metal Washer over threaded body of Faucet and tighten securely with Brass Hex Nut. Make sure the pointed tip on handle is pointed to rear of the bowl.

Note : Apply clear silicone sealant as required around fittings for a water tight seal.



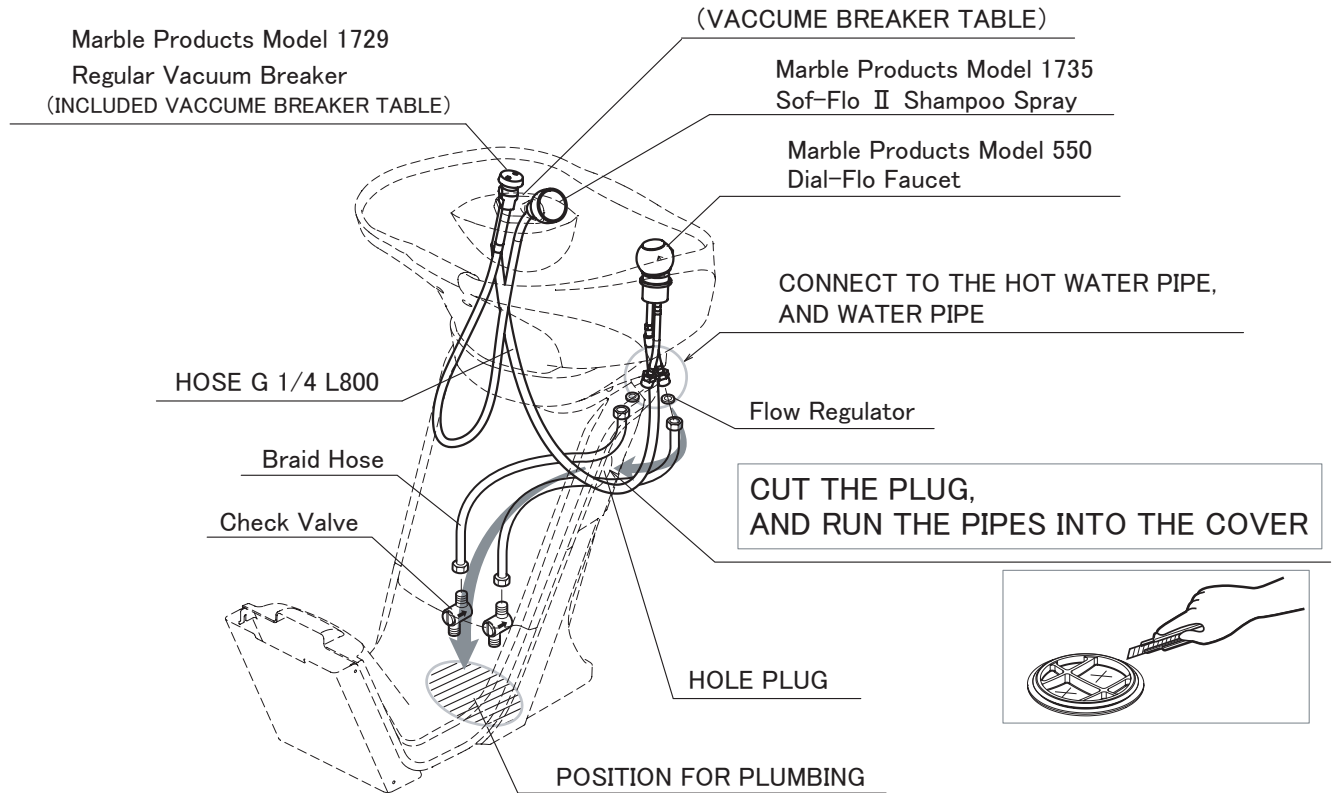
3. Connect the hoses

Insert spray hose through opening in hose receiver cap and attach to the outlet on the vacuum breaker (short pipe nipple, arrow pointing down). Connect G 1/4 L800 connecting hose to the inlet on the vacuum breaker (long pipe nipple, arrow pointing up) and the other end of outlet on the faucet.

4. Connect the hose and valves as below

Cut the plug and hide the hole, and run the pipes into the cover.

Connecting faucet, flow regulator, braid hose and checkvalves with water and hot water lines as shown.



<How to insert flow regulator>

As shown, insert the flow regulator, to face with the front side of flow regulator and the braid hoses.

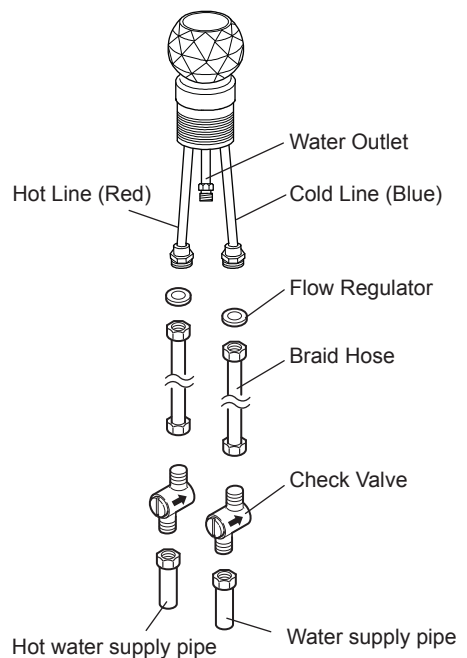
Caution

There are two sides to flow regulator. Insert it with care of the direction

Flow direction

Back side : Faucet

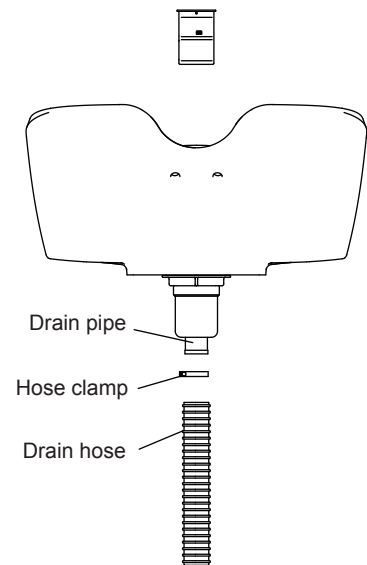
Front side : Braid Hose



5. Attach drain hose to drain pipe

Attach the drain hose using a hose clamp and apply silicon sealant as require around fitting for a water seal.
Check carefully for any leaks prior to putting the until into use.

Note : In case of installing the hair trap, Please follow the instruction included with the hair trap.

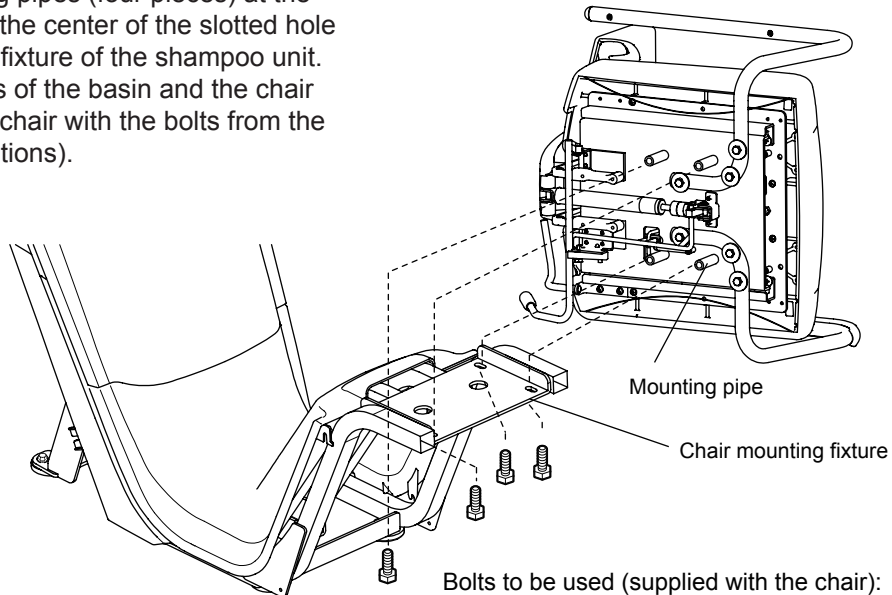


3 Attach the seat

< A X I S · P R I M O · L I T E · P R I M E · L U X I S >

1 Installing the Seat on the Shampoo Unit (Common)

- (1) Place the chair on the shampoo unit by aligning the center of the mounting pipes (four pieces) at the back of the chair and the center of the slotted hole of the chair mounting fixture of the shampoo unit.
- (2) Check that the centers of the basin and the chair align, and secure the chair with the bolts from the bottom side (four locations).



Bolts to be used (supplied with the chair):

Hexagonal head bolt (AXIS, PRIMO : M8 x 70)

(LITE : M8 x 90)

(PRIME : M8 x 50)

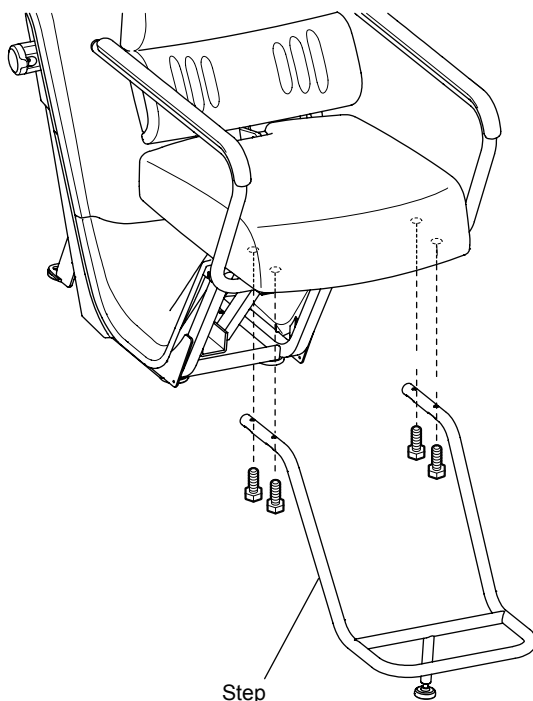
(LUXIS : M8 x 35)

(With spring washer and plain washer)

(Use the wrench with the opposite side distance of 12 mm.)

2 Mounting the Step (U-Step and Double Step Types) ※No fixtured step for PRIME, LUXIS

Using the holes provided at the base of the step, fix the step with bolts from the bottom side of the seat (4 locations).



Bolts to be used (supplied with the chair):

Hexagonal head bolt (M8 x 30)

(With a spring washer)

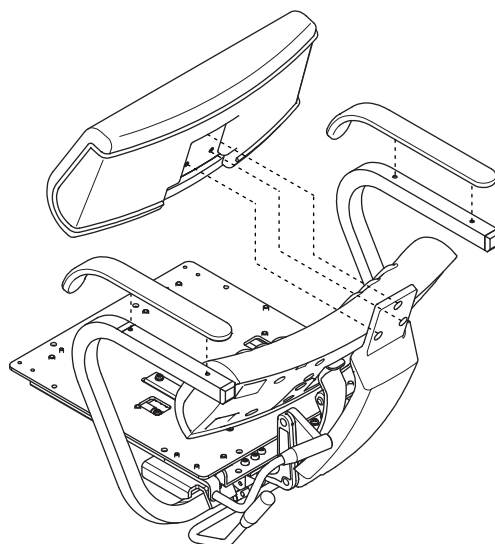
(Use the wrench having the opposite side distance of 12 mm.)

<COMFORT>

1 Mounting the Backrest and Armrest Pad

- (1) Mount the backrest with pan-head machine screws (three locations).
- (2) Mount the armrest pad with truss-head screws (four locations).

Screws to be used (supplied with the seat set):
 Pan-head machine screw (M6 x 25)
 Truss-head screw (M5 x 30)



2 Mounting of the Chair to the Shampoo Unit

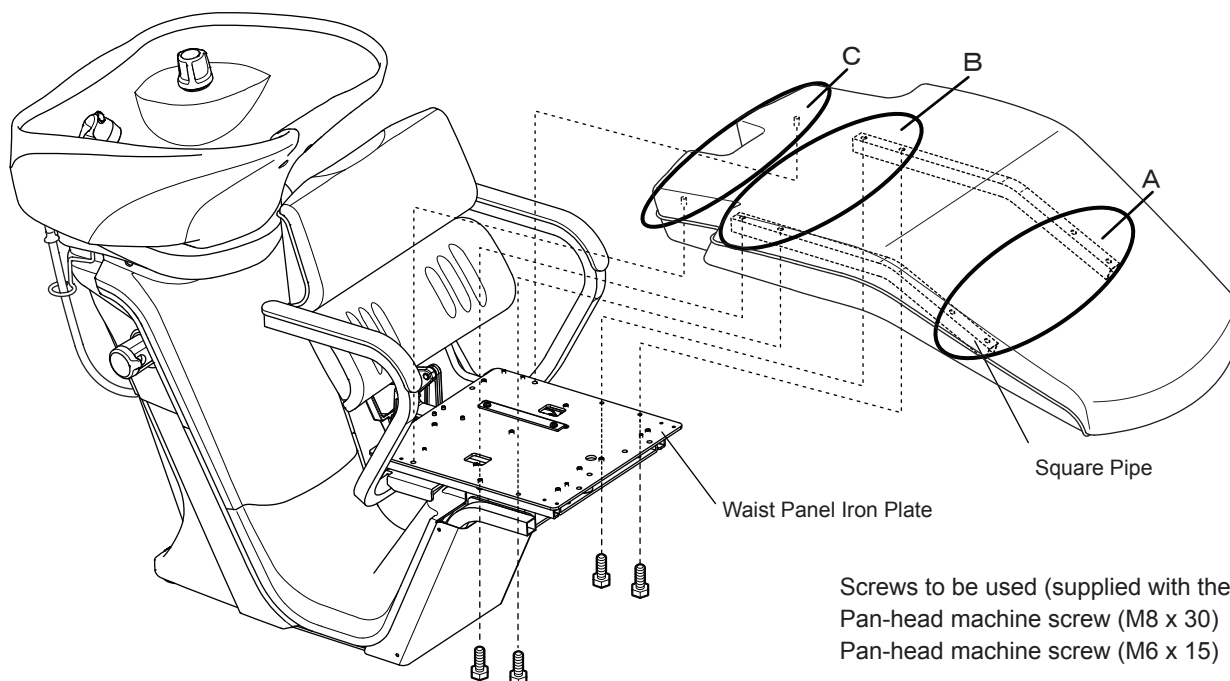
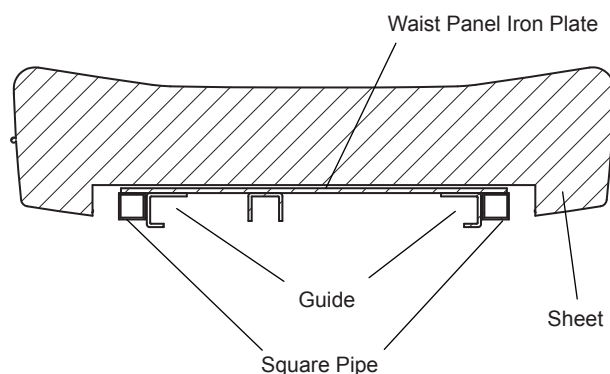
See Section [1] on page 11.

3 Mounting the Seat

- (1) Loosen the screws holding the square pipe (four locations). (A)
- (2) Push the seat in by sliding it so that the waist panel iron plate is sandwiched between the square pipes and the seat. (See the drawing on the right.)
- (3) Secure the square pipes and the waist panel iron plate with pan-head machine screws (M8 x 30) (four locations). (B)
- (4) Secure the sheet and the waist panel iron plate with pan-head machine screws (M6 x 15) (two locations). (C)
- (5) Tighten the screws for the square pipes which loosened first (four locations). (A)

Cross Section of the Installed Seat

※Pinch the guides of the waist panel iron plate with the two square pipes from the outer side.



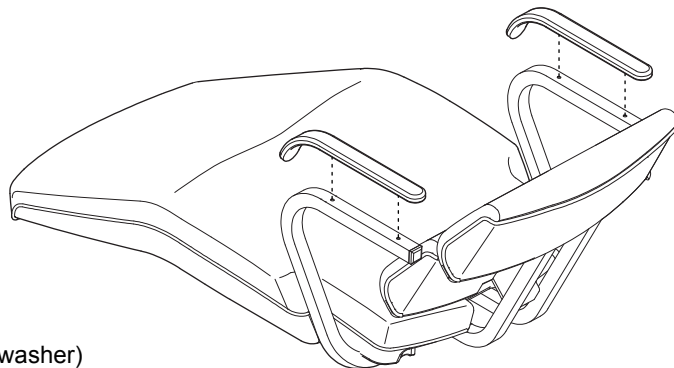
Screws to be used (supplied with the seat set):
 Pan-head machine screw (M8 x 30)
 Pan-head machine screw (M6 x 15)

<ELITE>

1 Mounting the Armrest Pad

Mount the armrest pad with truss-head screws (four locations).

Screws to be used (supplied with the seat set):
Truss-head screw (M5 x 30)



2 Mounting of the Chair to the Shampoo Unit

See Section [1] on page 13.

Bolts to be used (supplied with the chair):

Hexagonal head bolt (M8 x 55)(With spring washer and plain washer)

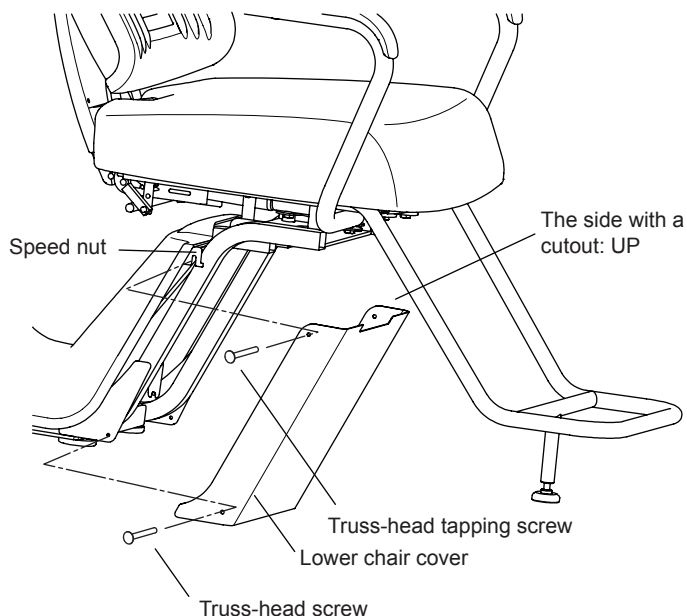
4 Attach cover

1 Mounting the Lower-front Chair Cover

(1) Mount the truss-head tapping screws to the upper part (speed nut portion) of the lower-front chair cover (two locations).

(2) Mount the lower-front chair cover to the shampoo unit with the truss-head screws (two locations).

Screws to be used (supplied with the shampoo unit):
Truss-head tapping screw (M4 x 16)
Truss-head screw (M5 x 12) (With PE gasket)



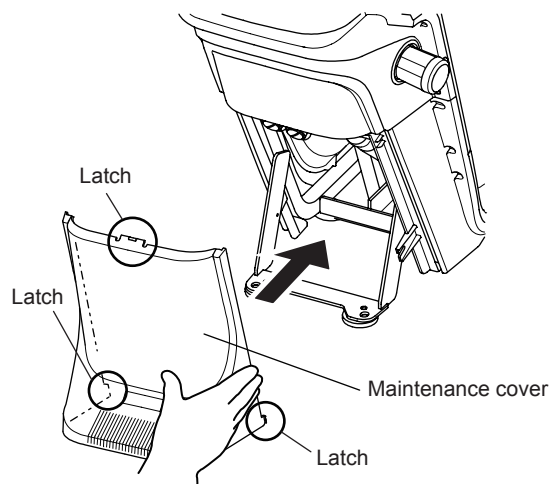
2 Mounting the Maintenance Cover

The maintenance cover can be mounted simply by hooking the three latches on the main unit.

First, hook the latch on the upper side, and then hook the two latches on the lower side.

Caution

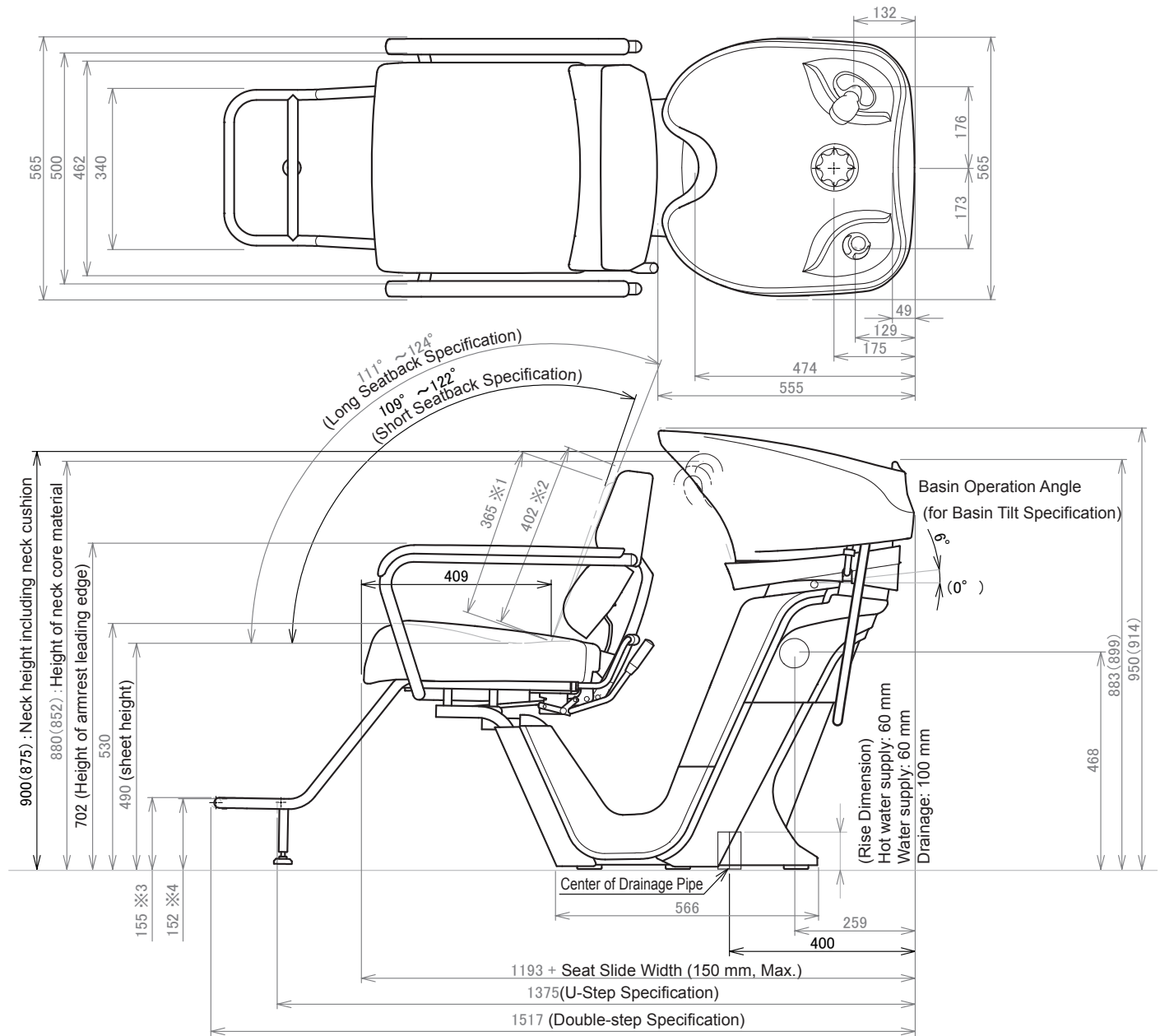
Check that the maintenance cover is attached securely by the three latches. If the cover is not attached securely, there is a possibility that water may enter the inside, resulting in a system failure.



Dimensions

(Unit:mm)

AXIS



Note:

- The dimensions in parentheses show the dimensions when the basin is tilted forward (only for the lock-tilt specification).

※1: Short Seatback Specification

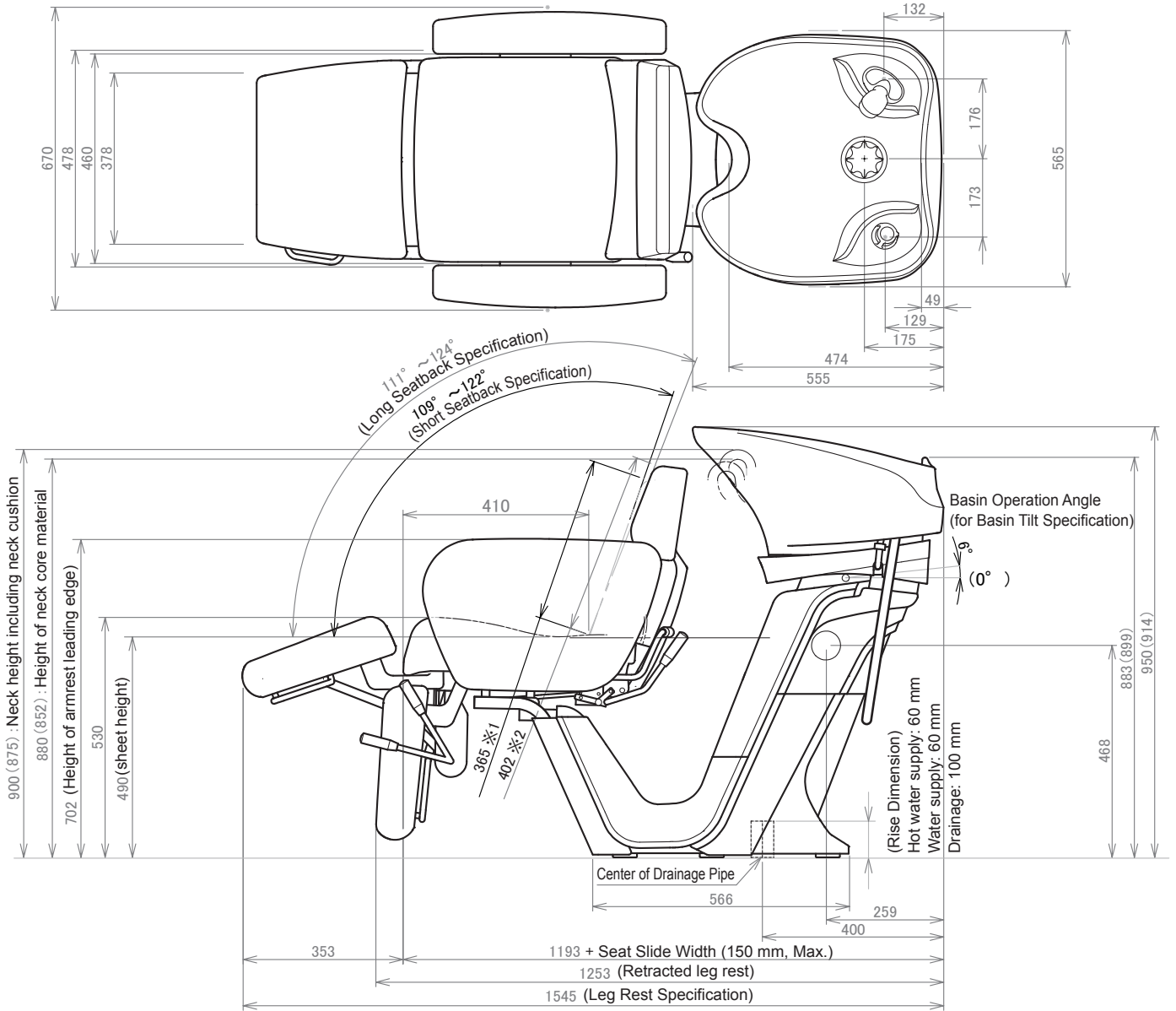
※2: Long Seatback Specification

※3: Double-step Specification

※4: U-Step Specification

(The drawing shows AY-AXLL / AY-RS3-1)

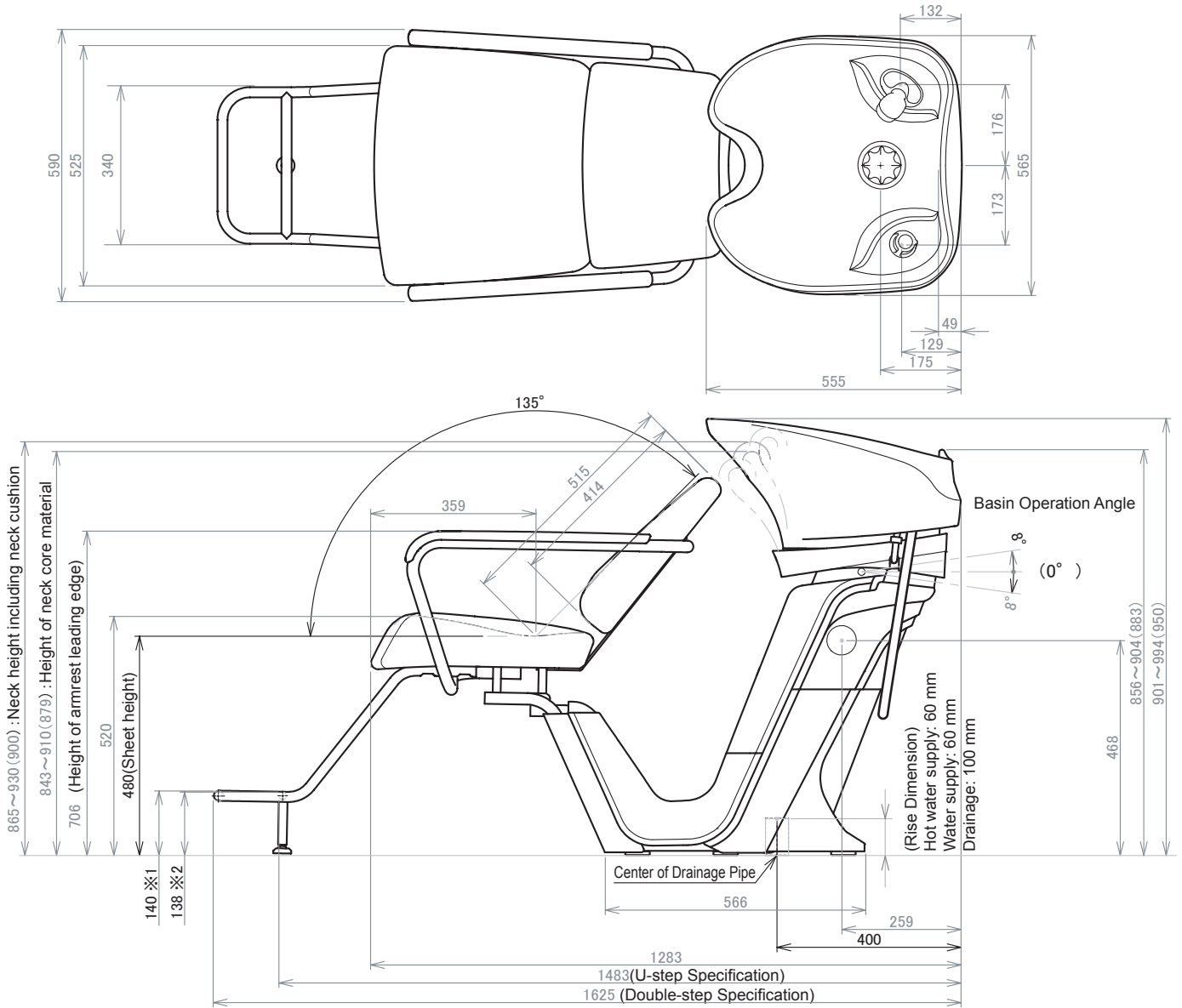
PRIMO



Note:
 - The dimensions in parentheses show the dimensions when the basin is tilted forward (only for the lock-tilt specification).
 - The product dimensions of the U-step and double-step specification are same as RS AXIS (Dwg. No.: 1S01CXA0).
 ※1: Short Seatback Specification
 ※2: Long Seatback Specification

(The drawing shows AY-PRLL / AY-RS3-1)

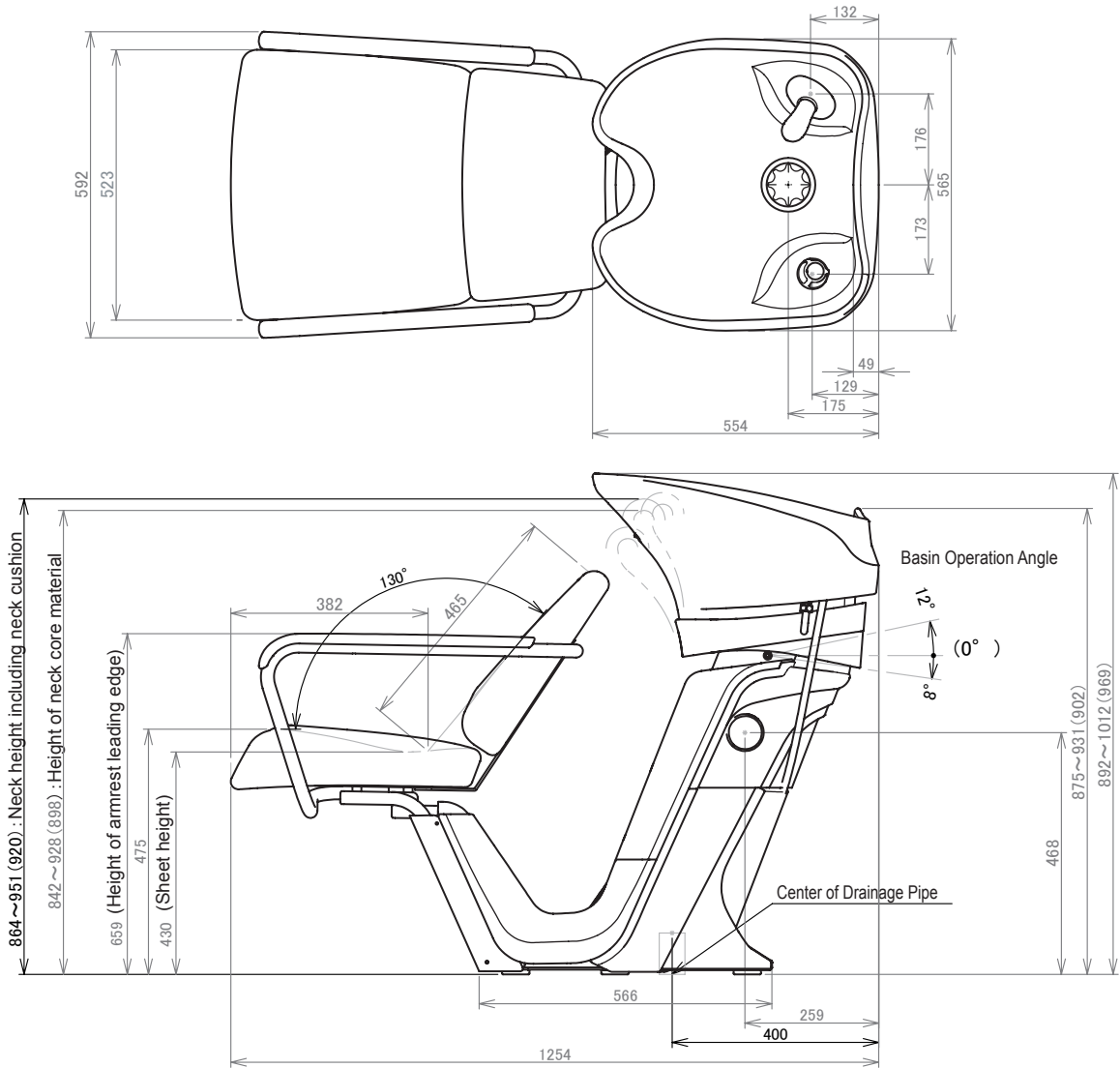
LITE



Note:
 - The dimensions in parentheses show the dimensions when the basin operation angle is 0 degrees.
 ※1: Double-step Specification
 ※2: U-step Specification

(The drawing shows AY-LI / AY-RS3-2)

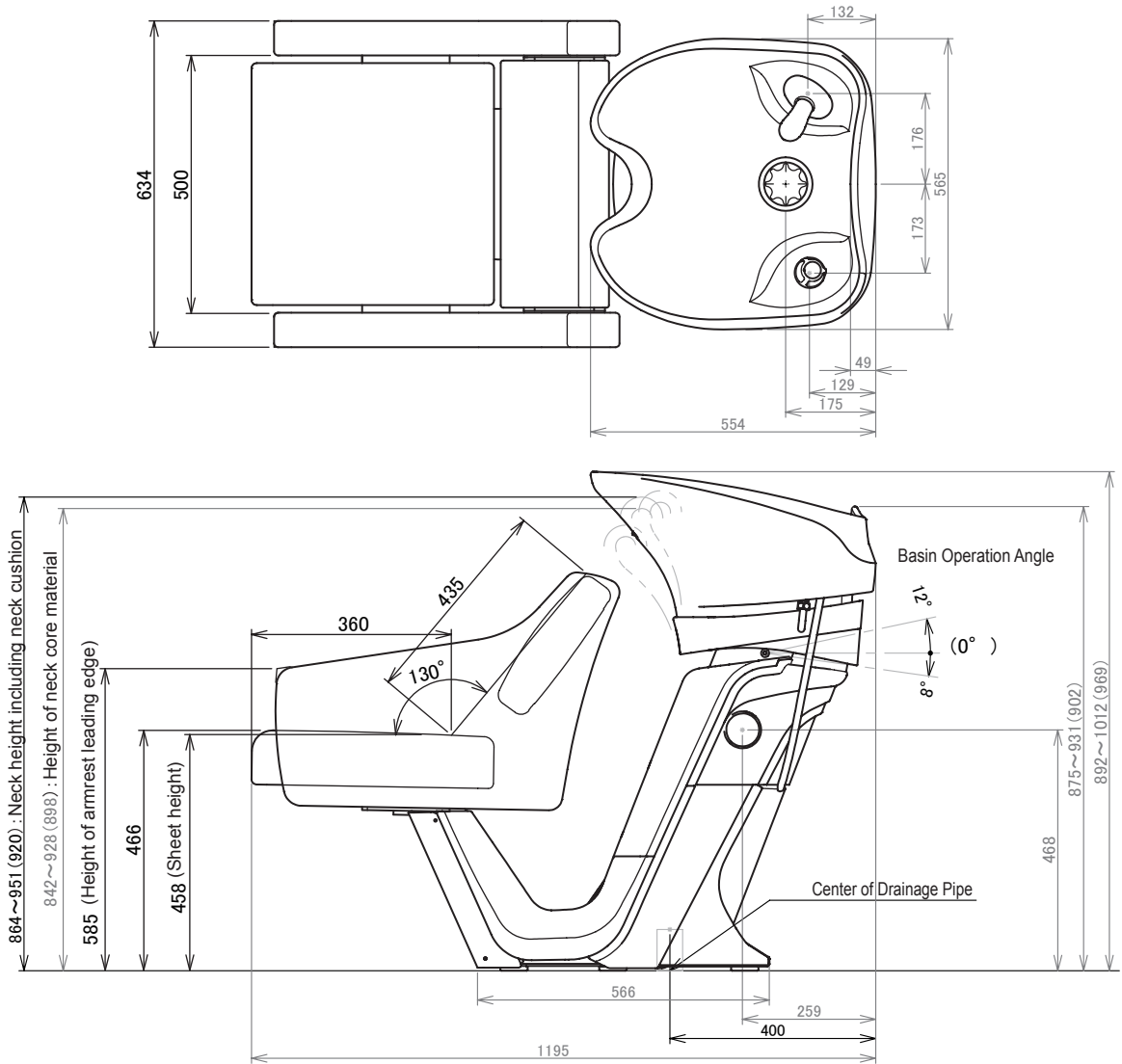
PRIME



Note:
 -The dimensions in parentheses show the dimensions when the basin operation is 0 degrees.

(The drawing shows AY-S195X / AY-P069X)

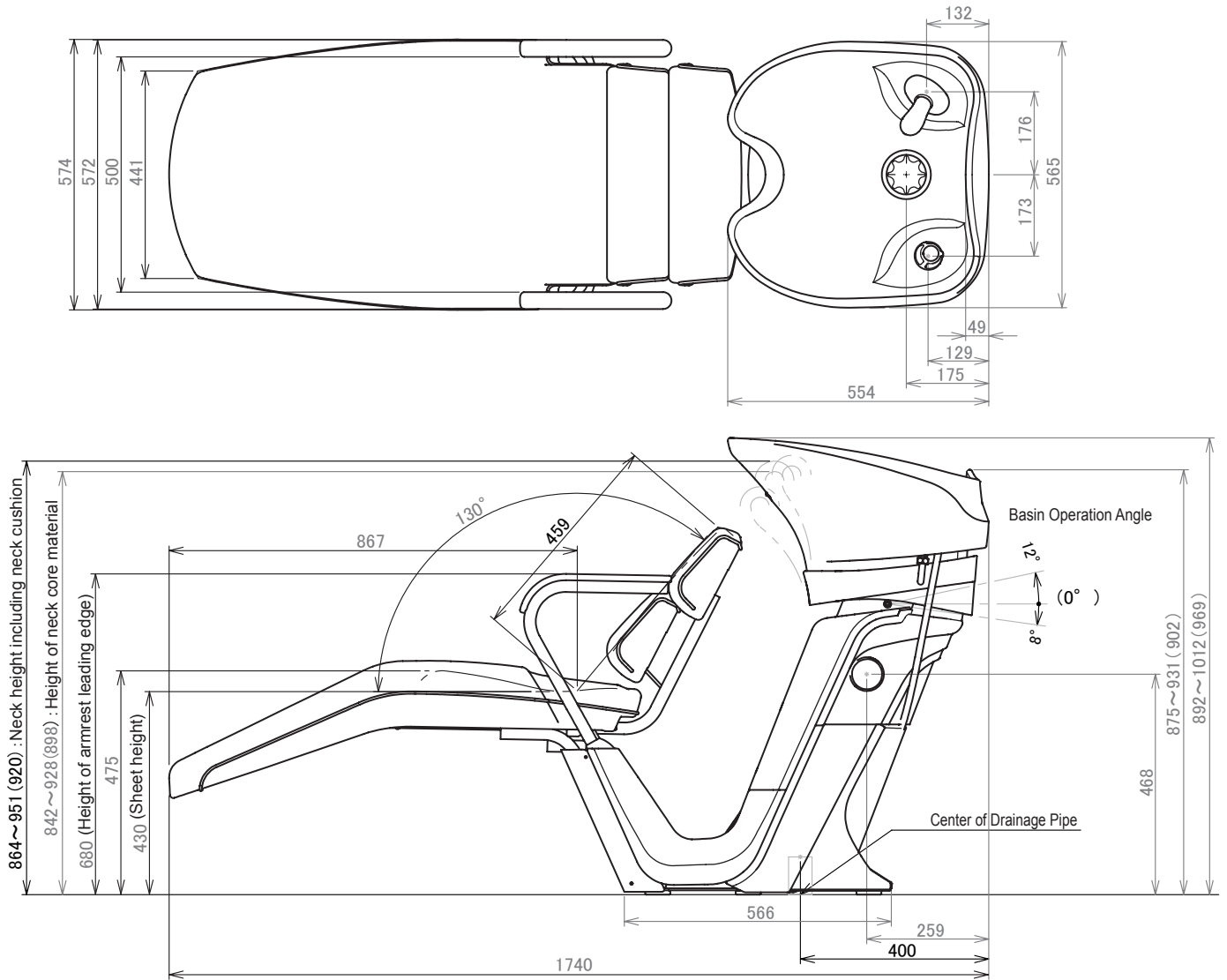
LUXIS



Note:
 -The dimensions in parentheses show the dimensions when the basin operation is 0 degrees.

(The drawing shows AY-LUXIS / AY-P069X)

ELITE



Note:

-The dimensions in parentheses show the dimensions when the basin operation is 0 degrees.

(The drawing shows AY-ELI / AY-P069X)

After installation

● Inspection

Inspect the following items.



Caution

Be sure to execute the inspection without fail to prevent accidents during operation.

- (1) Check that there are no missing screws or other parts.
- (2) Check that there are no loose parts on the shampoo unit or the chair. If any part of the shampoo unit or the chair is loose, check the bolts at the joints again.
- (3) Check that there are no cracks or contamination on the basin.
- (4) Check that there are no problems, such as flaws on the external appearance.
- (5) Check that there are no water leaks on the floor.

● Attach neck cushion on the basin

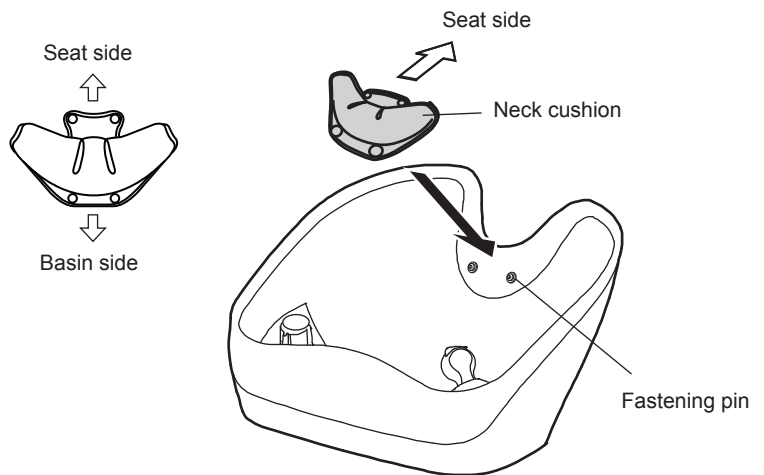
Execute the installation using the following procedures:

- (1) Set the neck cushion to the end of basin in the direction as shown in the image.



Caution

Be careful about the installation direction. If the cushion is installed in the wrong direction, it may contact the backseat.

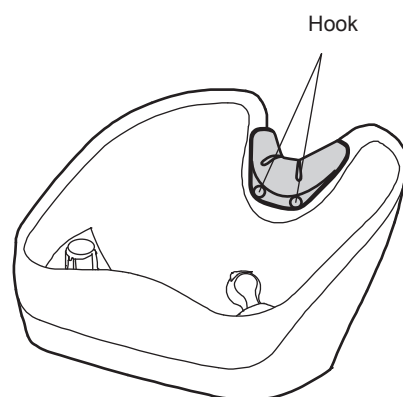


- (2) Attach the hooks of the neck cushion to the fastening pins inside of basin.

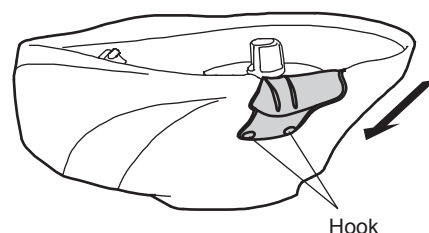


Caution

* Take care not to lose the fastening pins.

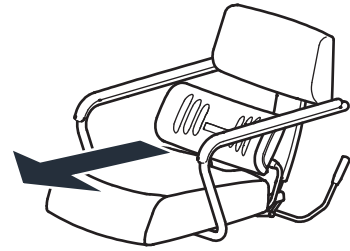


- (3) Adjust the shape of the neck cushion and attach the basin side hooks of the neck cushion to the fastening pins outside of basin.



● Installing the Lumbar Cover

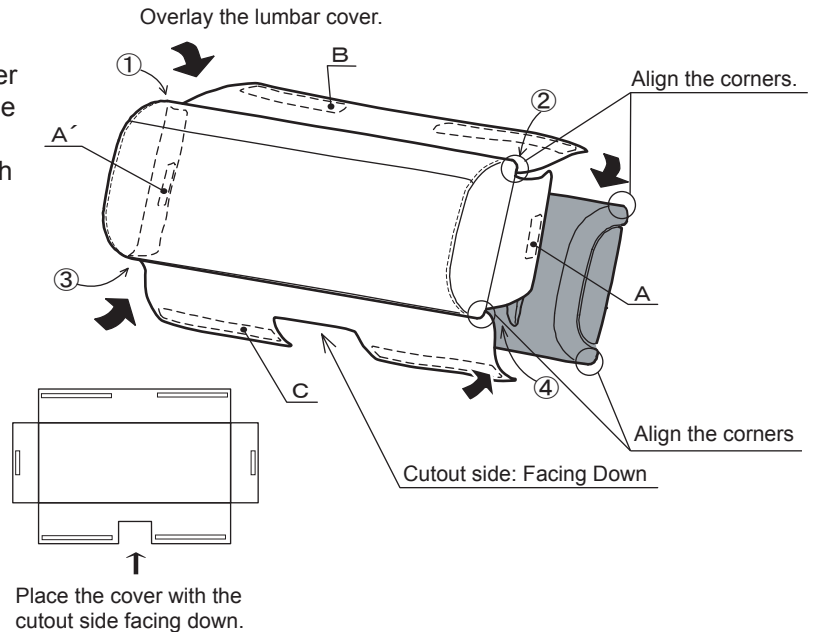
- 1 Slide the seat, pull the lumbar part forward, and lock it firmly to ensure easy installation.



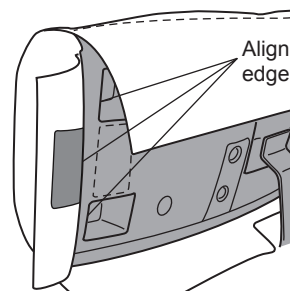
- 2 Place the lumbar cover with the cutout side facing down, and align the cover and the corner of the lumbar component. Fit the cover over the lumbar part in the sequence shown in the illustration on the right in a way that will smooth out any wrinkles.

⚠ Caution

Apply the cover gently. Failure to heed this instruction may result in breakage or wrinkles in the cover.

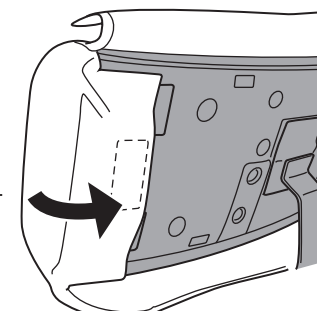


- 3 After check the condition the lumbar cover is fitted with the lumbar, peel off paper liner of the velcro fastener on the A and A'. Turn the end in the lumbar cover and put it on the lumbar.



Align the edge of the velcro to the edge of the square.

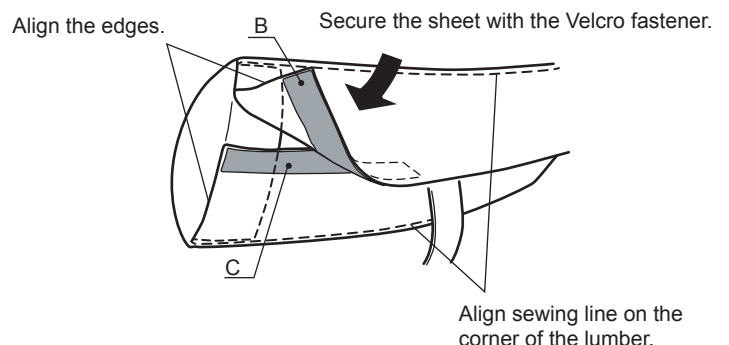
Turn the end in.



- 4 Overlay Part B onto Part C. Extend the cover slowly to prevent wrinkles on the front side, and apply the Velcro fastener to stick B and C.

⚠ Caution

Be careful not to pull the cover sheet too strongly. Failure to heed this precaution may result in breakage of the cover.



MEMO

NOTE



TAKARA BELMONT CORPORATION

1-1, 2-Chome, Higashi-shinsaibashi, Chuo-ku, Osaka, Japan

TEL : (06) 6213-5945

FAX : (06) 6212-3680

Printed in Japan

1E02VYA0