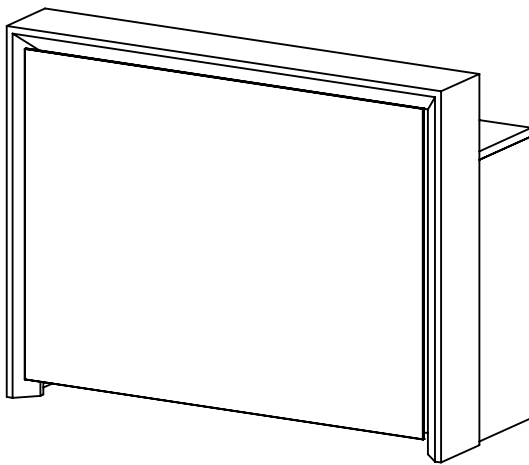


THEMIS series

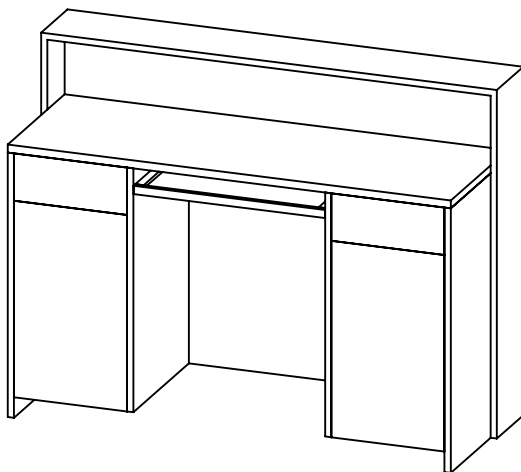
PANDORA

Operation/Installation Manual



Contents

General Safety Instructions	2
Preparation Before Installation	3
Parts Lists/Accessory Parts	4
Installation Procedure	5
Care and Maintenance	6
Specification Drawings	6



- **PANDORA**
GF-PAN

Thank you for purchasing our product.

Please read through this manual carefully before installing or using.






After reading, keep this operation manual in a safe place for your future reference.






General Safety Instructions

■ Before use







Please read through the "General Safety Instructions" to ensure you use this product correctly. This instruction manual contains important information to help avoid personal injury, or property damages to you or your customers. All instructions are important for safe operation. Please be sure to observe them.

■ Definition of markings

 WARNING	This mark warns the user that "improper use may cause death or severe personal injury".
 CAUTION	This mark warns the user that "improper use may cause personal injury or material damages".
	This mark indicates that the user need to be ALERT to a possible danger.
	This mark indicates what the user MUST DO to prevent accidents.
	This mark indicates what the user SHOULD NOT DO.

 WARNING	
 <p>Do NOT attempt to repair the unit by yourself. Do not attempt to disassemble or repair the equipment on your own. To do so might cause break down or collapse accident. Please contact us for repair or servicing instruction.</p>	 <p>Be alert to the corner of the glass portion. Be alert to the corner of the mirror so as not to hit it. If hit, you may get injured.</p>
 <p>Do NOT apply water to the equipment. The equipment is not waterproofed. Wetting may cause a fire, electric shock, or insulation failure.</p>	 <p>Do NOT alter or modify the equipment. This may cause electric shock, falling, burnout damage, or discoloration.</p>
 <p>Follow the direction of caution labels. If a caution label is attached to the equipment, follow the directions of the label. Failure to follow the directions may cause a fire, electric shock, falling, injury, or breakdown.</p>	

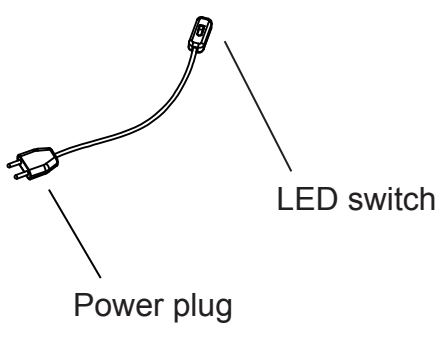
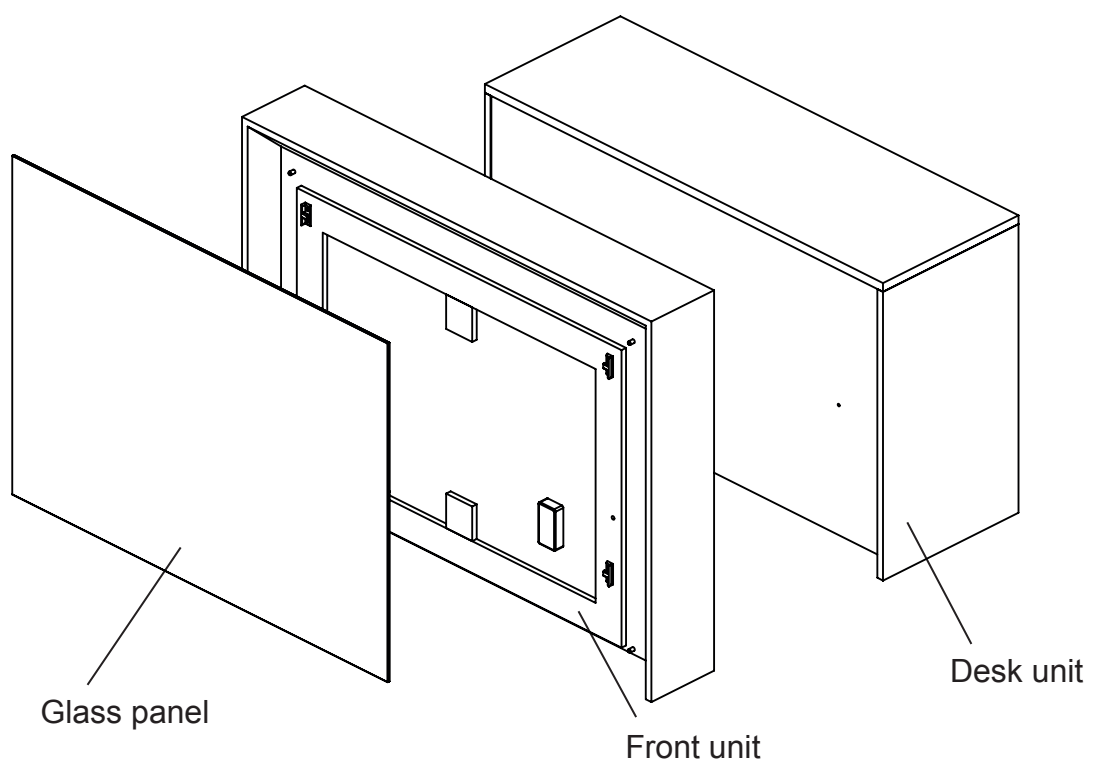
CAUTION

 <p>Remove chemical immediately after attached. If chemical such as hair dye, comes in contact with the equipment, wipe it off immediately. This may cause discoloration or deterioration.</p>	 <p>Do NOT use the equipment outdoors. This equipment is neither design for nor approved for outside installation. If installed outdoors, there may be a danger of a fire, electric shock, or failure.</p>
 <p>Do NOT apply weight or Do NOT hit a thing on the equipment. Avoid leaning on the glass, hard wiping of the glass when cleaning. This may cause deformation, breakage or falling accident of the product.</p>	 <p>Use this equipment at an ambient temperature from 5°C to 35°C, and humidity from 45% to 85%. When used at high temperature and high humidity, there may be a risk of burnout damage, failure deformation discoloration.</p>
 <p>Confirm the rated voltage and the power supply voltage of the equipment. If overvoltage is applied, a fire may start. Applying overvoltage will shorten the life of the lamp.</p>	 <p>Hold the glass carefully when moving the glass. When attaching or detaching the glass, hold the glass securely. If not, failing accident may occur.</p>

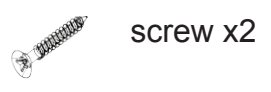
Preparation before Installation

- Prior to installation, determine the installation position of the product referring to the specification drawings.
- Provide a power supply (AC 230V) on the wall or floor.
- Ask a licensed electrician to perform electrical work.
- Perform Class D grounding (previous Class 3 grounding) with the ground wire.
- Confirm the installation directions (up, down, right, left) of the equipment.

Parts List/Accessory Parts

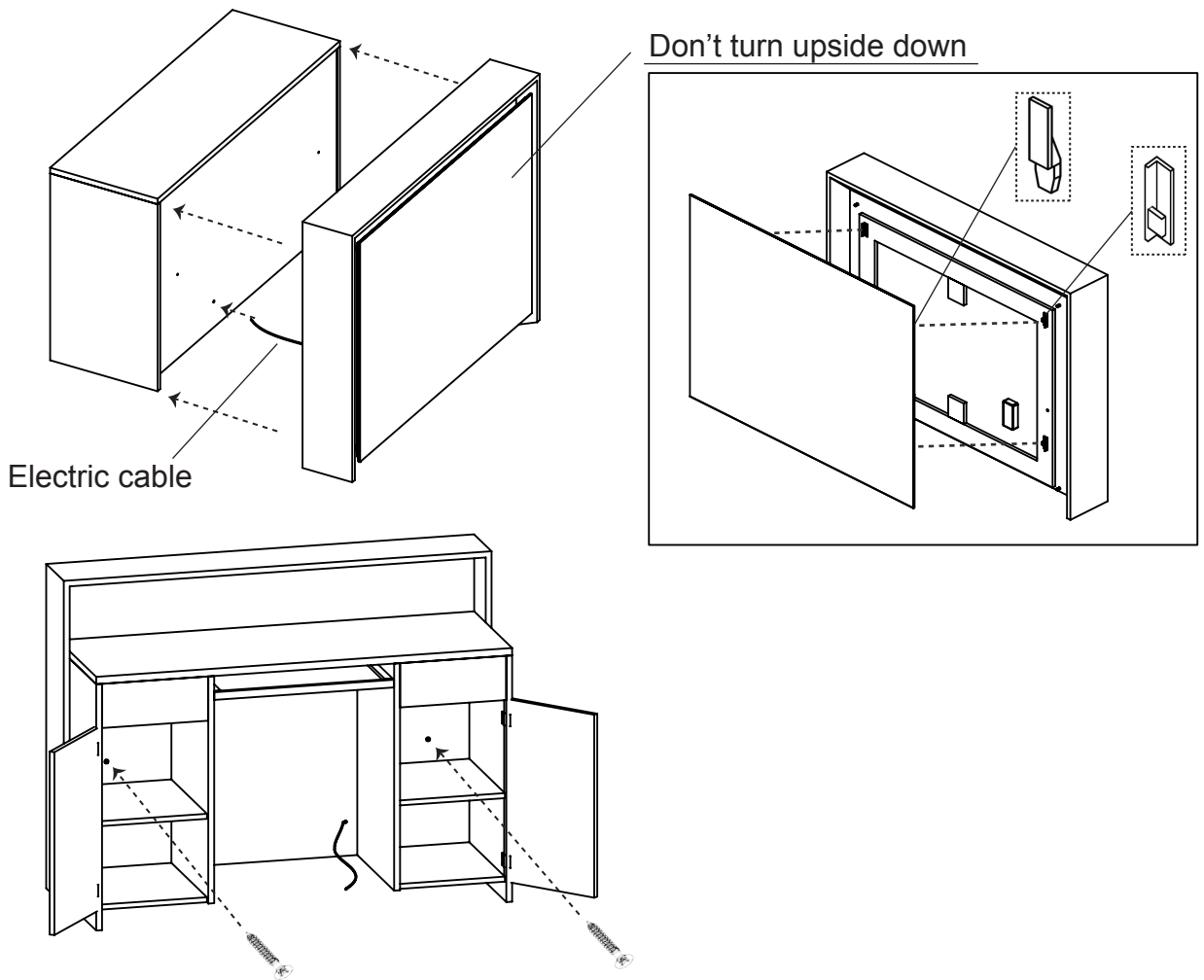


[Accessory parts]

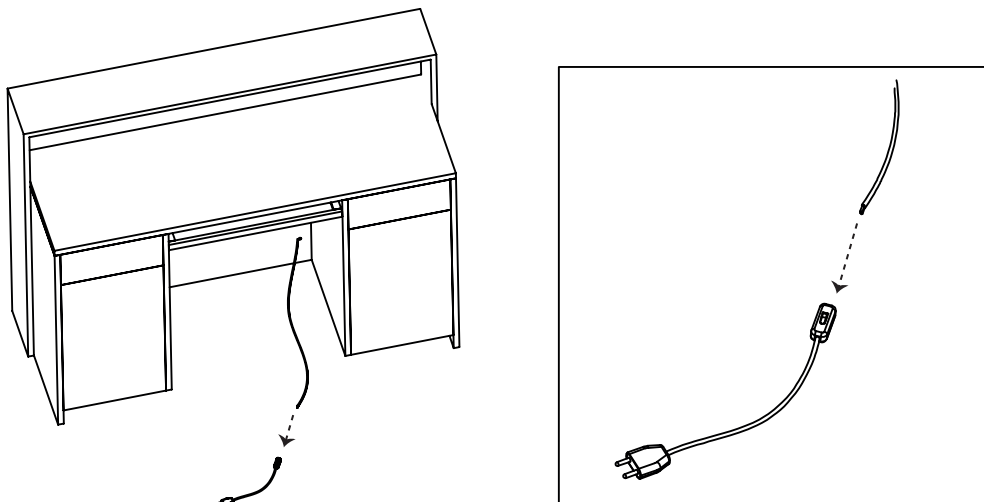


Installation Procedure

- 1 Position Desk unit in the desired location.
- 2 Attach Front unit to Desk unit. (Glass panel is hooked on Front unit and included in same package. Caution should be taken not to be turned upside down.) Then fix it with 2 screws from inside of doors. When attaching Front unit to Desk unit, pass Electric cable through the hole at the bottom of Desk unit.



- 3 Wire the LED switch to Electric cable.

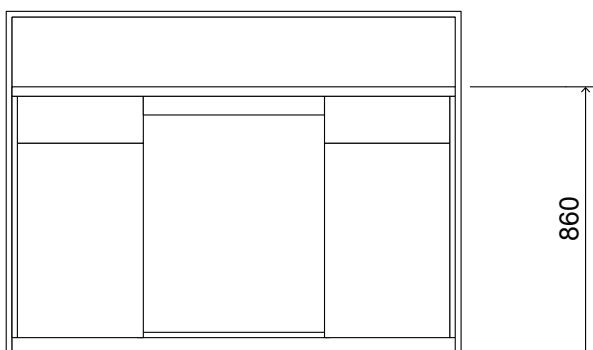
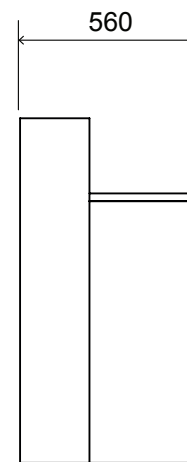
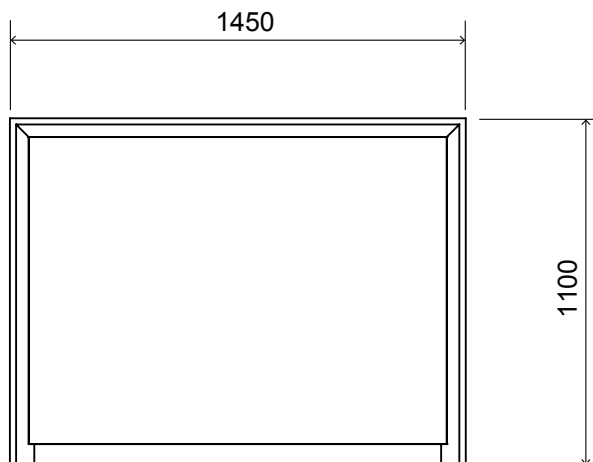


Care and Maintenance

- Dust the surface and remove stain.
- Wipe the surface with soft and dry cloth. If the stain is hard to remove or oil is spotted, wipe with cloth soaked in diluted neutral detergent and wringed. Then wipe it with dry cloth.
- Do not use volatile chemical such as thinner, alcohol, gasoline, kerosene, or abrasive, wax, abrasive sponges and scrubbing brushes, etc.

Specification Drawings

[mm]



- Rated voltage 230V
- Rated frequency 50/60 Hz
- Mass 145 kg

**TAKARA
BELMONT**
TAKARA BELMONT (UK) LTD.
BELMONT HOUSE, ONE ST. ANDREWS WAY, BOW LONDON
E3 3PA, UK
[http:// www.takarahairdressing.co.uk](http://www.takarahairdressing.co.uk)
TEL: +44(0)20 7515 0333