

# MICRO MIST

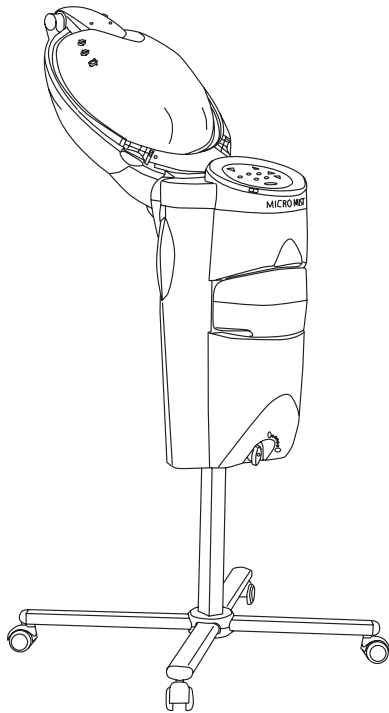
HAIR TREATMENT PROCESSOR  
SD200NIW



REINVENT YOURSELF.

**TAKARA  
BELMONT**

# MICRO MIST

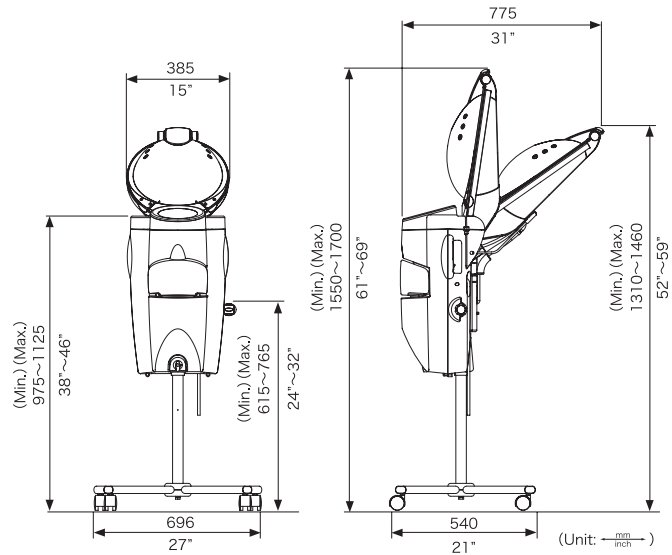


## SD200NIW

Hair treatment processor, stand type, white.

Ultrasonic mist generation system with purifier for deep conditioning.

115v, 60Hz, 490W (approx. 4.5A)



### Takara Belmont USA, INC. Showrooms and Design Centers:

- New York, NY (212) 541-6661
- Boston, MA (800) 283-3222
- Chicago, IL (800) 825-2725
- Aurora, CO Office Only (866) 693-6136
- Tampa, FL (877) 972-4777
- Union, NJ (908) 964-7510
- Philadelphia, PA (800) 405-2745
- Columbus, OH (888) 201-2241
- Laguna Hills, CA (800) 348-0307
- Lanham, MD (301) 577-0212
- Long Island, NY (800) 545-3777
- Charlotte, NC (888) 492-7292
- Dallas, TX (800) 478-6368
- Aloha, OR (503) 642-3338
- Monroe, CT (800) 972-9592 ext. 138
- Minneapolis, MN (800) 854-0358
- St. Louis, MO (800) 325-7373



[www.takarabelmont.com](http://www.takarabelmont.com)

101 Belmont Dr.  
Somerset, NJ 08873  
732-469-5000

**Toll free (866) 4 TAKARA (866-482-5272)**