

Installation Guide

LOOP TABLE LAMP

Thoughtful lighting, responsibly designed in London.

Thank you for making the switch to Tala.
Discover the full Tala family at us.tala.co.uk

BEFORE STARTING

Please read instructions thoroughly before installation and keep them for future reference. Please take extreme care when dealing with electrical equipment.

IMPORTANT

Bulb must be installed in fixture before turning on.

WARNING

Ensure power is turned OFF before inserting plug.

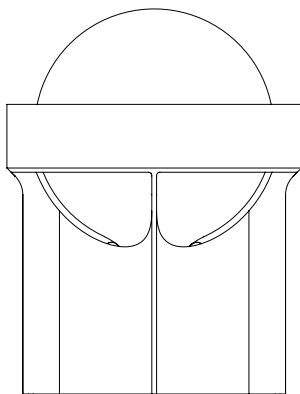
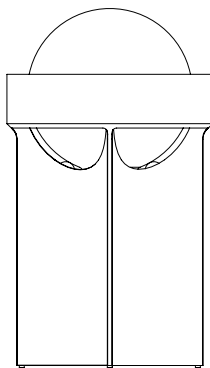
CARE AND CLEANING

We recommend cleaning with a soft dry cloth. Do not use abrasive materials as these will damage the finish of the product. Do not use alcohol or other solvents.

WARRANTY AND AFTER-CARE

This product has a two-year warranty. If there appears to be a functional defect with the product during this time, please contact our team at customerservice@tala.co.uk.

Please note, the flexible cable attached to this luminaire cannot be replaced; if the cable is damaged, recycle the luminaire and seek a replacement.



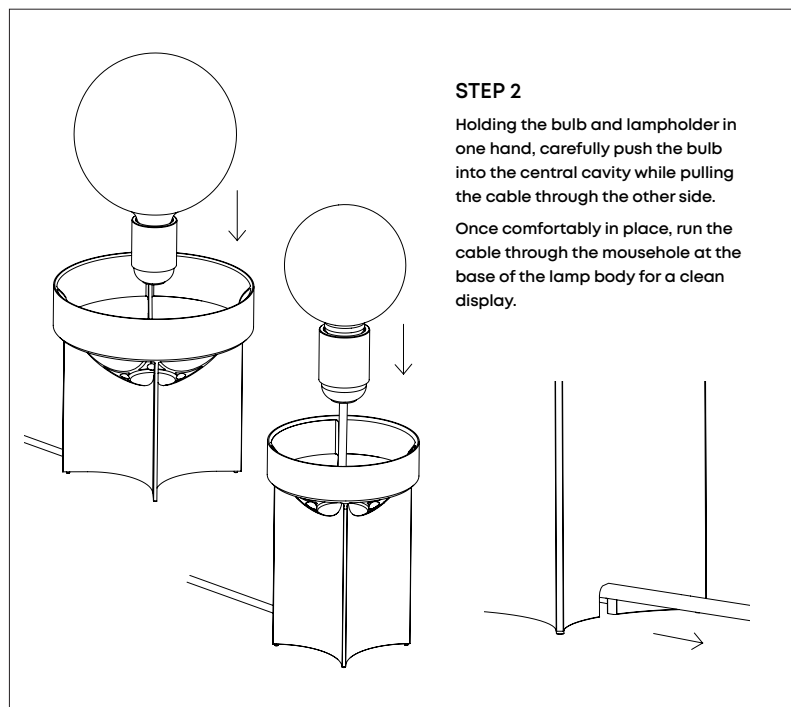
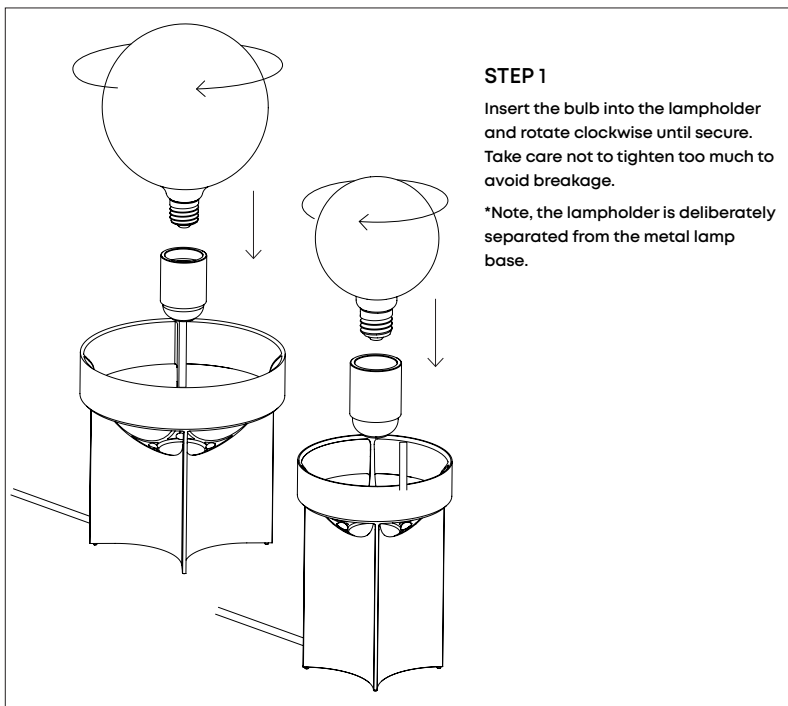
FOR INDOOR USE ONLY

SKU - LOOP-SPHR-III-GD-TBL-01-US
SKU - LOOP-SPHR-III-SL-TBL-01-US
SKU - LOOP-SPHR-III-DG-TBL-01-US

SKU - LOOP-SPHR-IV-GD-TBL-01-US
SKU - LOOP-SPHR-IV-SL-TBL-01-US
SKU - LOOP-SPHR-IV-DG-TBL-01-US

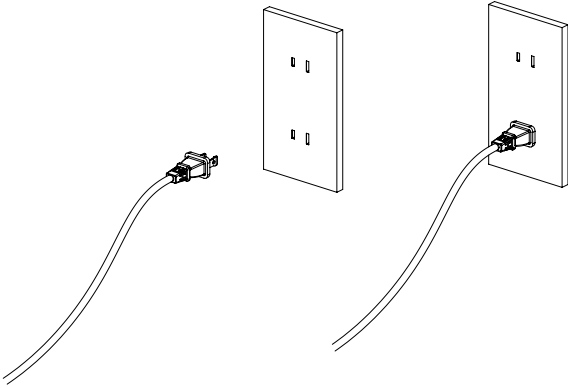
110-120V





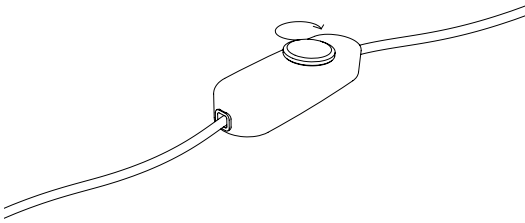
STEP 3

Insert the lamp plug into your chosen wall socket, making sure the power is switched off.



STEP 4

Switch the power on and rotate the dial on your dimmer until the bulb lights up. Adjust the dimmer for your desired light output.



CARE AND CLEANING

We recommend cleaning with a soft dry cloth.

Do not use abrasive materials as these will damage the finish of the product. Do not use alcohol or other solvents.

WARRANTY AND AFTER-CARE

This product has a two-year warranty. If there appears to be a functional defect with the product during this time, please contact our team at customerservice@tala.co.uk.

IMPORTANT SAFETY INSTRUCTIONS

This portable lamp has a polarized plug (one blade is wider than the other) as a safety feature to reduce the risk of electric shock. This plug will fit in a polarized outlet only one way. If the plug does not fit fully in the outlet, reverse the plug. If it still does not fit, contact a qualified electrician. Never use with an extension cord unless plug can be fully inserted. Do not alter the plug.

INSTRUCTIONS DE SÉCURITÉ IMPORTANTES

Cette lampe portative a une fiche polarisée (une lame est plus large que l'autre) comme fonction de sécurité afin de réduire le risque de choc électrique. Cette fiche entrera dans une prise de courant polarisée dans une seule direction. Si la fiche n'entre pas complètement dans la prise, inversez la fiche. Si cela ne fonctionne toujours pas, contactez un électricien agréé. N'utilisez jamais de rallonge à moins que la fiche ne soit insérée entièrement. Ne modifiez pas la fiche.

Join the Community

Instagram: @tala | Facebook: talaHQ | Pinterest: TalaLED | Tag: lighttoliveby

Tala Studios, 25B Vyner Street, London E2 9DG | hello@tala.co.uk

Tala North America Inc. 909 Rose Avenue, Suite 660

North Bethesda, MD 20852, United States