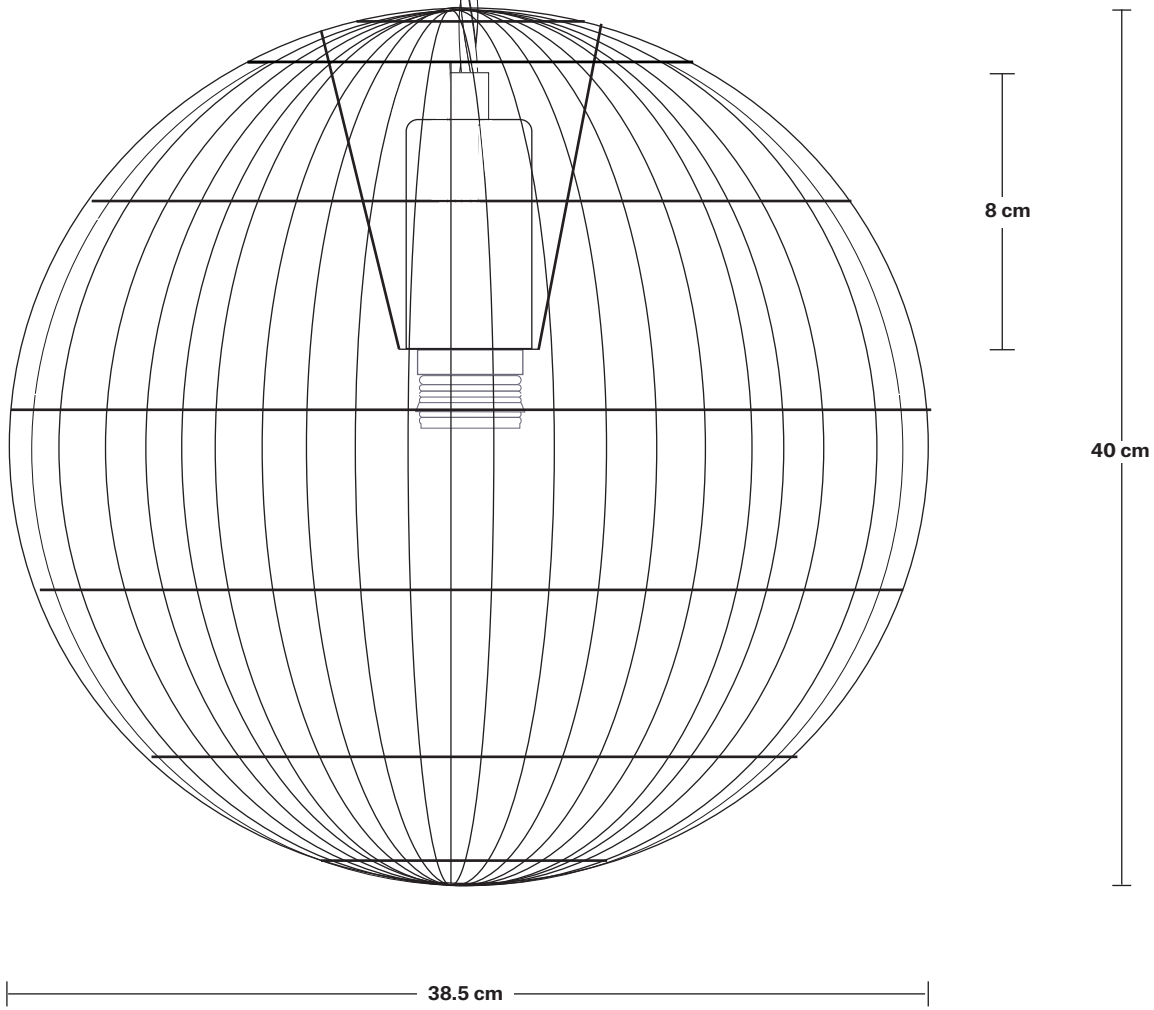


HANDCRAFTED



Handcrafted Wire Cage Pendant Light - 16 Inch

SPECIFICATIONS

We meet all UK and EU lighting and safety regulations.

Our products are hand finished to ensure an authentic vintage look and therefore they may vary slightly from those shown in the images.

Bulb Required: Standard screw (E27) fitting, max 40W.

Shade Weight: 2.1 kg

Holder Weight: 0.25 kg

Maximum Weight: 2.4 kg

INFORMATION

Product Code: HC-WCP16-GL

Finishes: Brass, Pewter.

Ready to be installed, installation required.

Wall mount screws not included.

Flex: 1m Black Twisted Fabric Flex.

DIMENSIONS

H: 40 cm x **W:** 38.5 cm x **D:** 38.5 cm

Shade Diameter: 38.5 cm / 15.2"

Shade Height: 40 cm / 15.7"

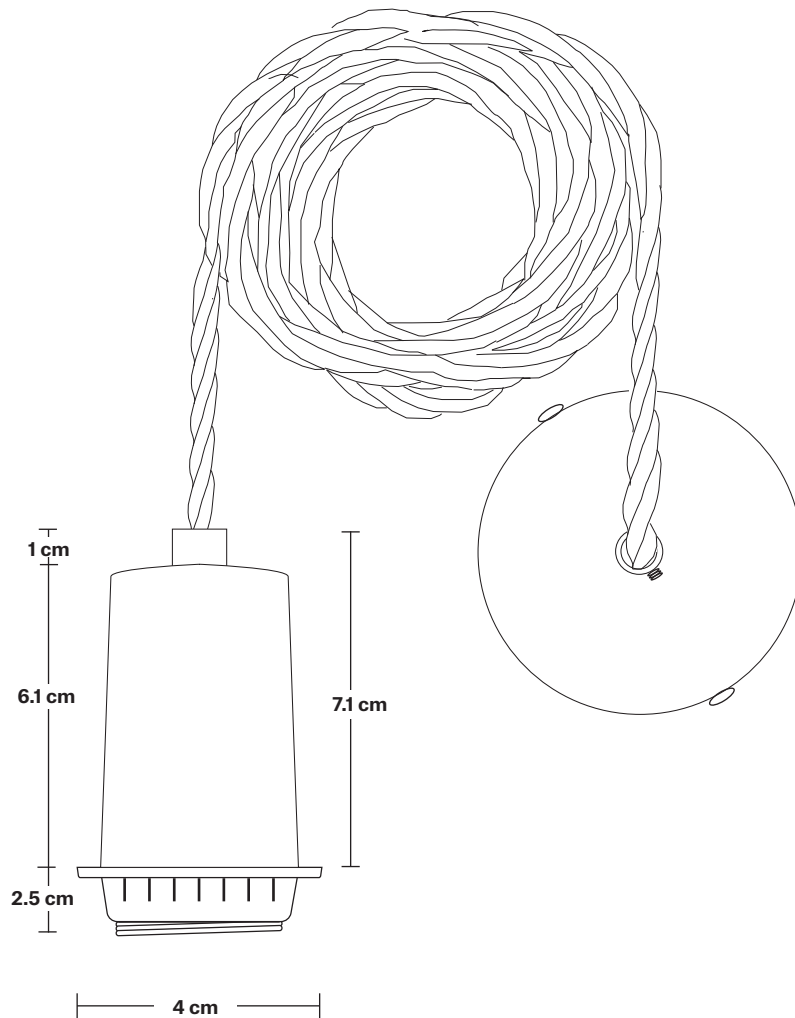
Holder Diameter: 8.5 cm / 3.3"

Holder Height: 8 cm / 3.1"

Ceiling Rose Diameter: 8 cm / 3.1"

Ceiling Rose Height: 2 cm / 0.8"

INDUSTVILLE



Sleek Edison Cord Set ES E27 Bulb Holder

SPECIFICATIONS

We meet all UK and EU lighting and safety regulations.

Our products are hand finished to ensure an authentic vintage look and therefore they may vary slightly from those shown in the images.

Bulb required: Standard screw (E27) fitting, max 40W.

Weight: 0.3 kg

INFORMATION

Product Code: SL-EBH

Finishes: Brass, Pewter, Copper, Black.

Ready to be installed, installation required.

Wall mount screws not included.

Flex: 1m Black Twisted Fabric Flex.

DIMENSIONS

H: 9.6 cm x **W:** 4 cm x **D:** 4 cm

Holder Diameter: 4 cm / 1.6"

Holder Height: 9.6 cm / 3.8"

Ceiling Rose Diameter: 8 cm / 3.2"

Ceiling Rose Height: 2 cm / 0.8"