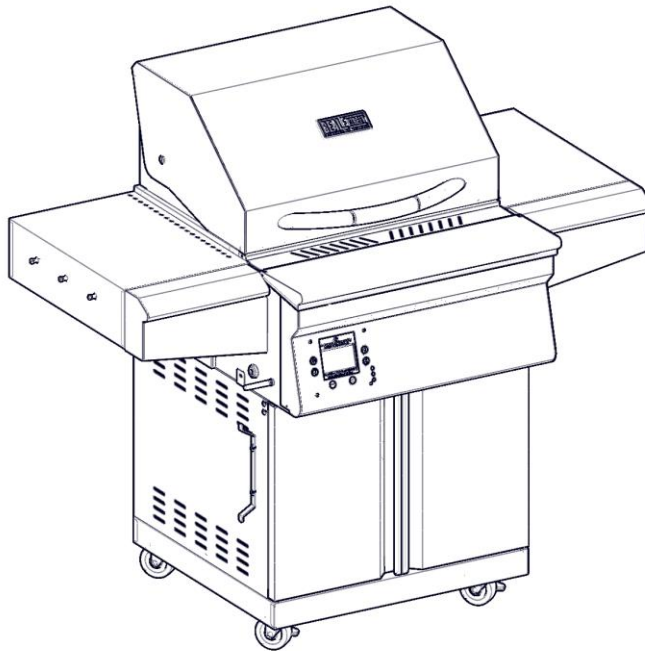


**BEALE STREET**  
POWERED BY MEMPHIS



MODEL NUMBER: BGSS26

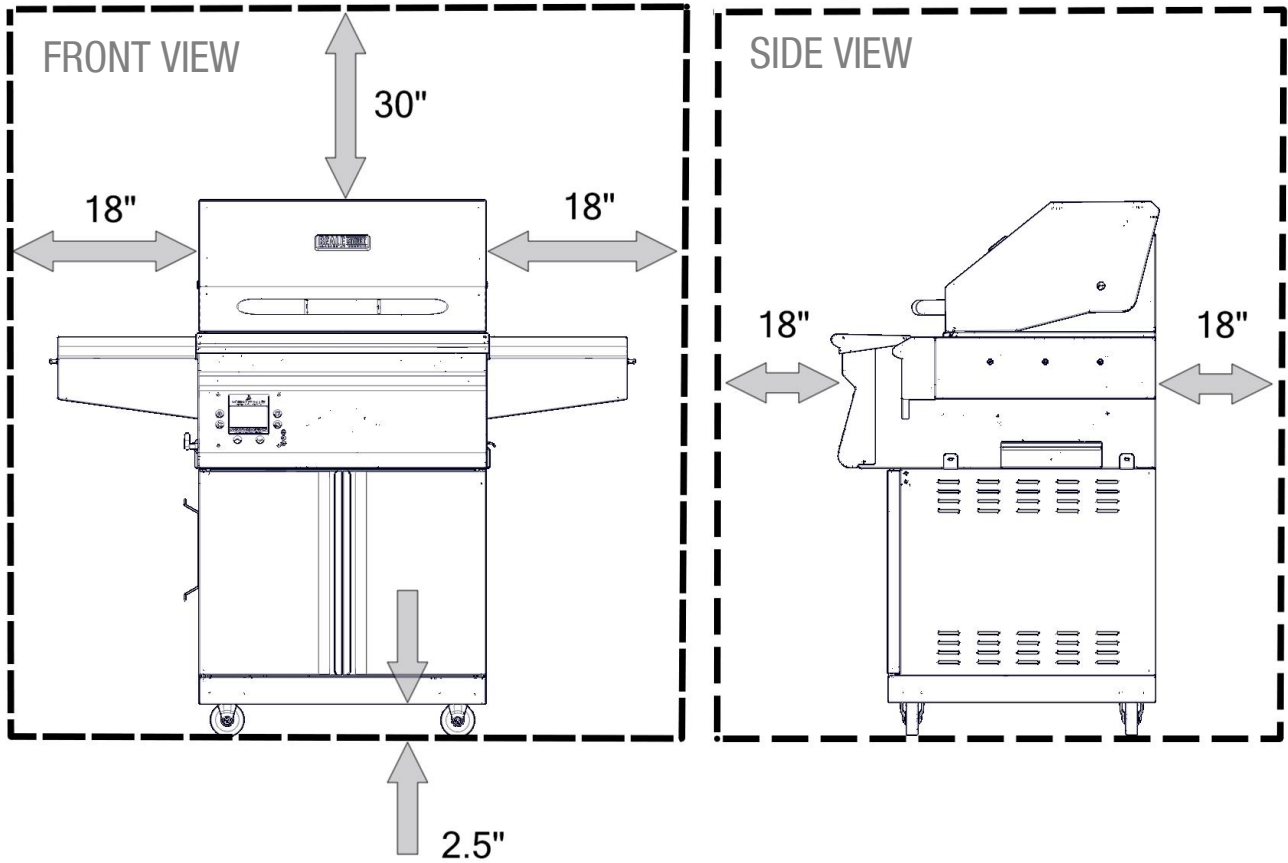
| Contents                           | Page  |
|------------------------------------|-------|
| Clearance to Combustible Materials | 2     |
| Physical Setup Instructions        | 3-8   |
| Wi-Fi Setup Instructions           | 9     |
| Wiring Diagram                     | 10-12 |

**READ ALL INSTRUCTIONS BEFORE INSTALLING AND USING THIS APPLIANCE  
SAVE THESE INSTRUCTIONS FOR FUTURE REFERENCE**



## CLEARANCE TO COMBUSTIBLE MATERIALS

YOUR BEALE STREET GRILL MUST MAINTAIN THE SPECIFIED CLEARANCE TO COMBUSTIBLE MATERIALS WHILE OPERATING THE GRILL OR WHILE THE GRILL IS HOT!



Below are some guidelines to ensure safe operation of your Beale Street Grill

- The grill is to be supported by the casters provided.
- Grill casters are to be locked while the grill is in use or while the grill is hot.
- It is recommended that the grill be placed on a non-combustible surface.
- Operating the grill under a combustible ceiling or overhang is **NOT** recommended.
- Maintain the minimum clearance to combustible materials specified below.

A MAJOR CAUSE OF FIRES IS FAILURE TO MAINTAIN REQUIRED CLEARANCES (AIR SPACES) TO COMBUSTIBLE MATERIALS. IT IS OF THE UTMOST IMPORTANCE THAT THIS PRODUCT BE INSTALLED ONLY IN ACCORDANCE WITH THESE INSTRUCTIONS

**Required Tools : Phillips Screw Driver and Cut Resistant Gloves**

**USE CAUTION DURING ASSEMBLY. METAL EDGES MAY BE SHARP.**

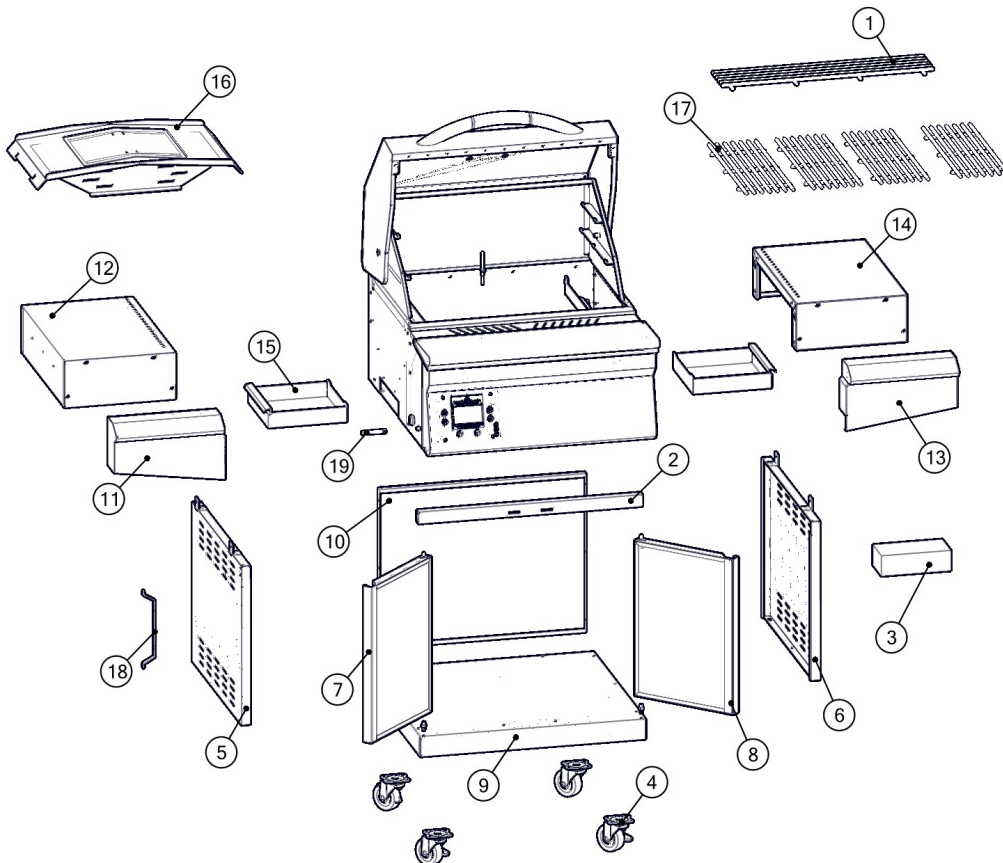
## Bill of Materials

| BOM # | Part Name               | Qty. |
|-------|-------------------------|------|
| 1     | Upper Grate             | 1    |
| 2     | Cabinet Front Bracket   | 1    |
| 3     | Caster and Hardware Kit | 1    |
| 4     | Casters                 | 4    |
| 5     | Cabinet Left Side       | 1    |
| 6     | Cabinet Right Side      | 1    |
| 7     | Cabinet Door Left       | 1    |
| 8     | Cabinet Door Right      | 1    |
| 9     | Cabinet Bottom          | 1    |
| 10    | Cabinet Back            | 1    |
| 11    | Shelf Front Left        | 1    |
| 12    | Shelf Body Left         | 1    |
| 13    | Shelf Front Right       | 1    |

| BOM # | Part Name        | Qty. |
|-------|------------------|------|
| 14    | Shelf Body Right | 1    |
| 15    | Grease Tray      | 2    |
| 16    | Savorizer        | 1    |
| 17    | Main Grates      | 4    |
| 18    | Power Cord Wrap  | 1    |
| 19    | WiFi Antenna     | 1    |

## Hardware Kit

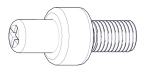
| BOM # | Part Name              | Qty. |
|-------|------------------------|------|
| H1    | M5 x 12 Phillips Screw | 14   |
| H2    | M6 x 15 Phillips Screw | 46   |
| H3    | Tool Holder            | 6    |
| H4    | Door Bottom Pivot      | 2    |
| H5    | Split Lock Washer      | 16   |



**H1** 

**H2** 

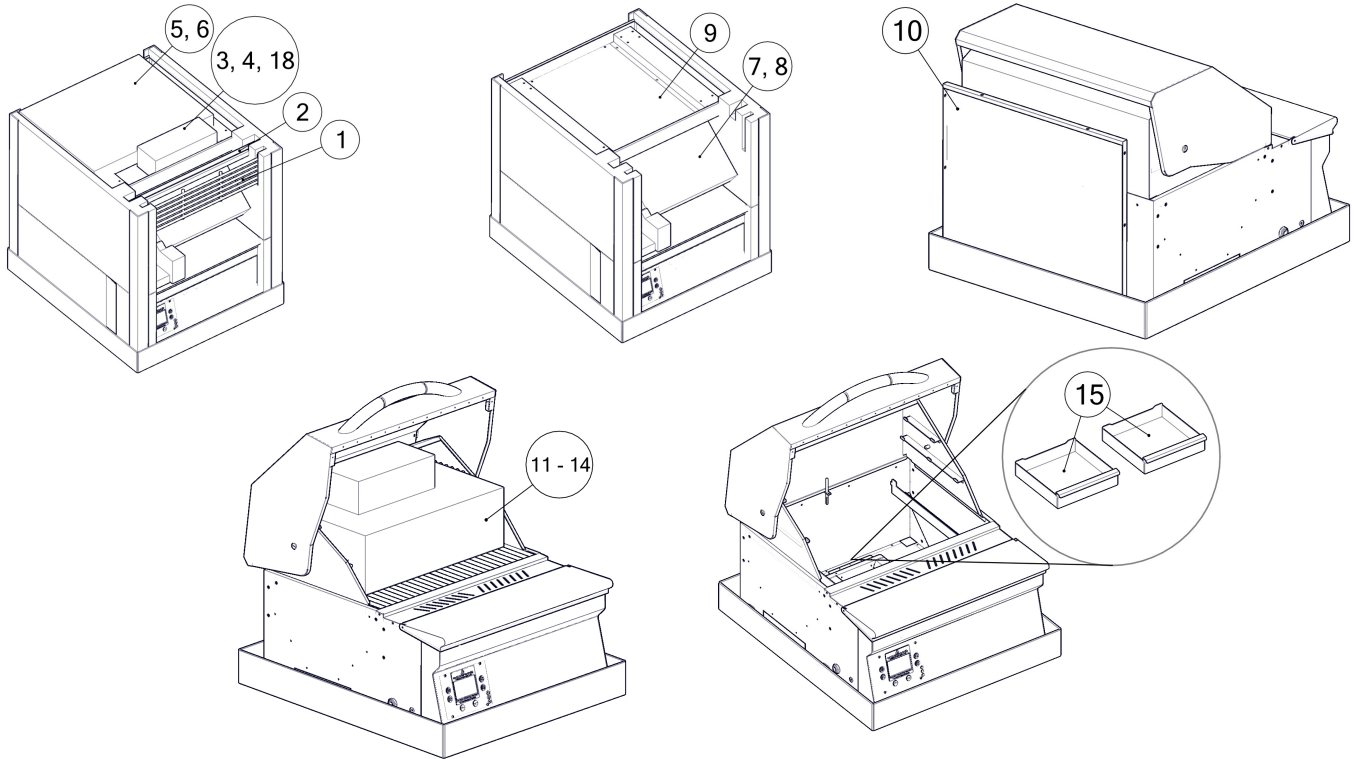
**H3** 

**H4** 

**H5** 

# Unboxing

Remove packaging materials and set aside BOM items for use later.



**! Remove plastic protective film from all parts before continuing. !**

After grill is used, this film will melt and is impossible to remove cleanly.

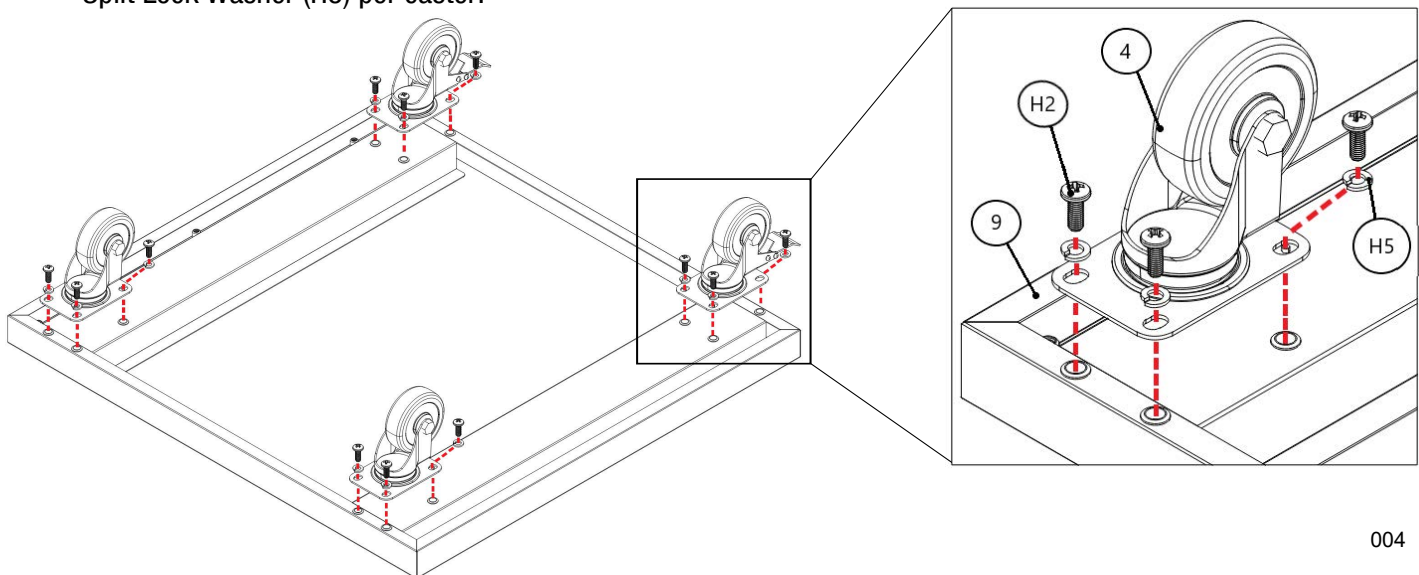


## Cabinet Assembly

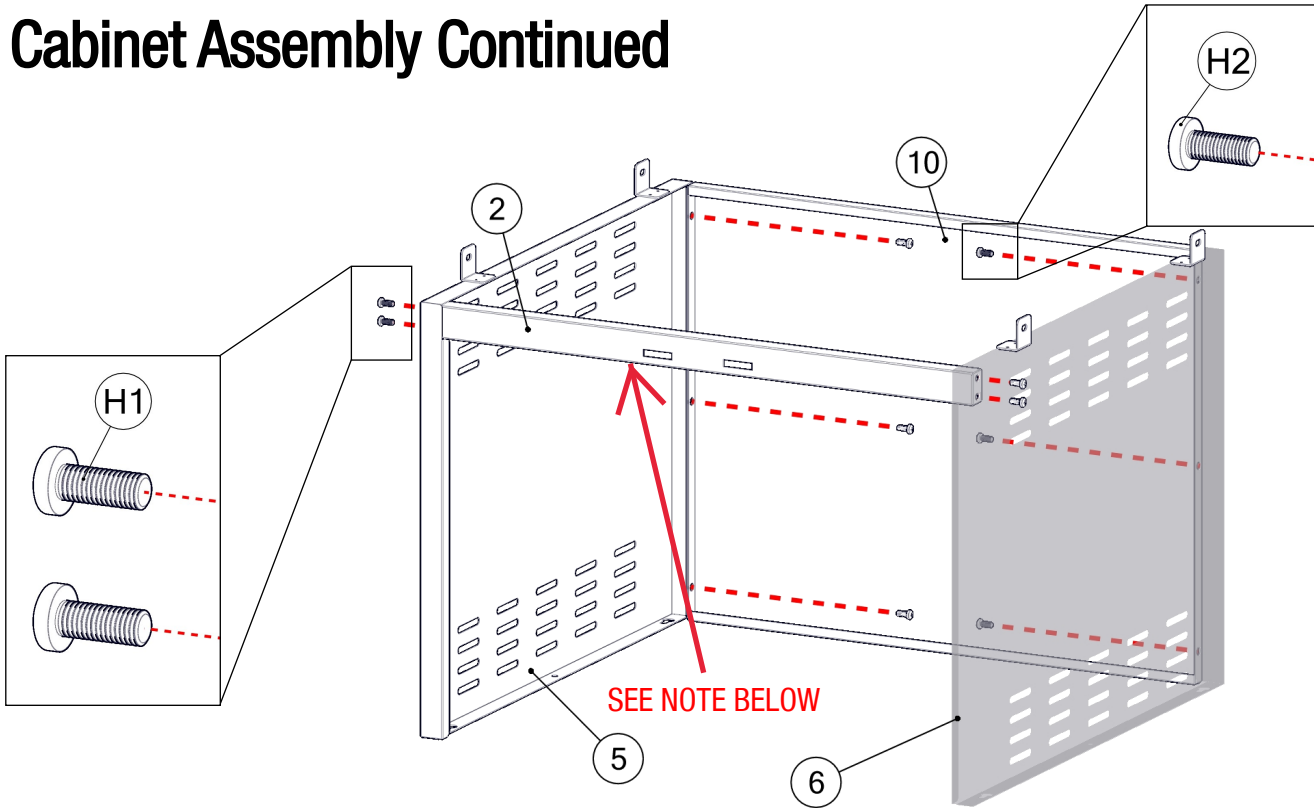
Open caster and hardware box (#3). Set aside power cord wrap (#18) for later use.

Attach 4x casters (#4) to cabinet bottom (#9) using 4x M6 Phillips Screws (H2) and 4x

Split Lock Washer (H5) per caster.



# Cabinet Assembly Continued

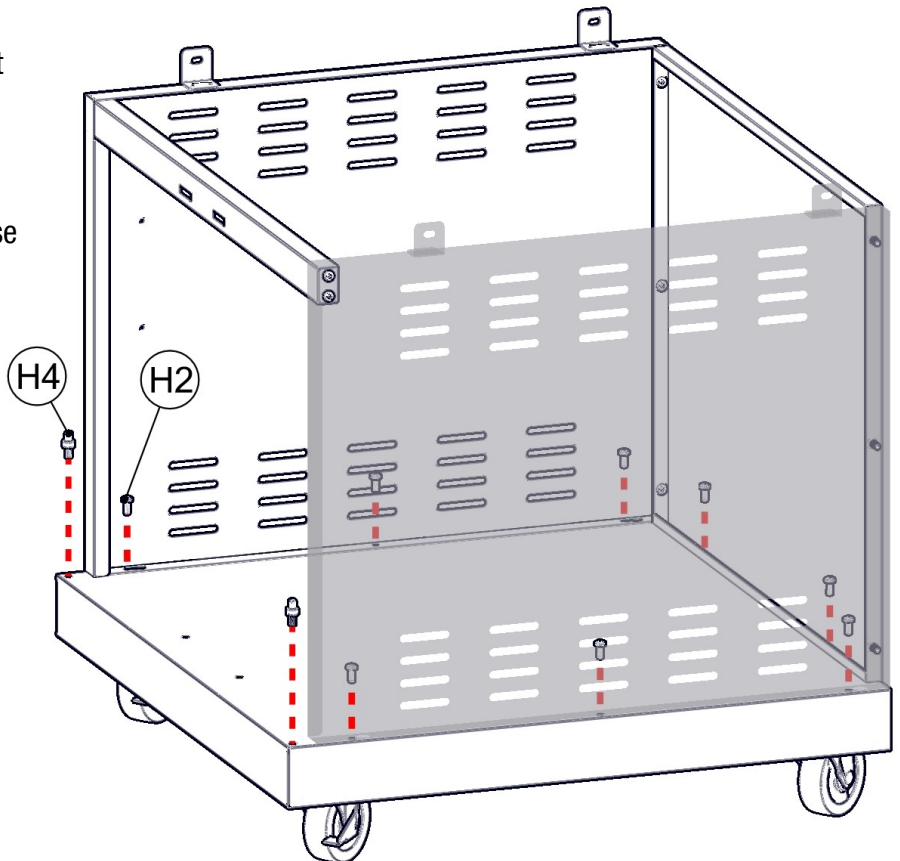


Assemble cabinet sides and back using 6x M6 Phillips Screws (H2). Attach cabinet front bracket to sides using 4x M5 Phillips Screws (H1). **NOTE:** The cabinet front bracket should be oriented with the magnetic catches towards the cabinet bottom.

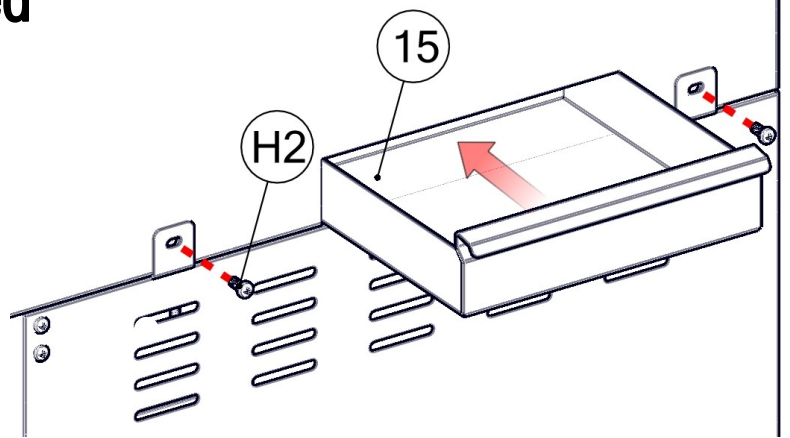
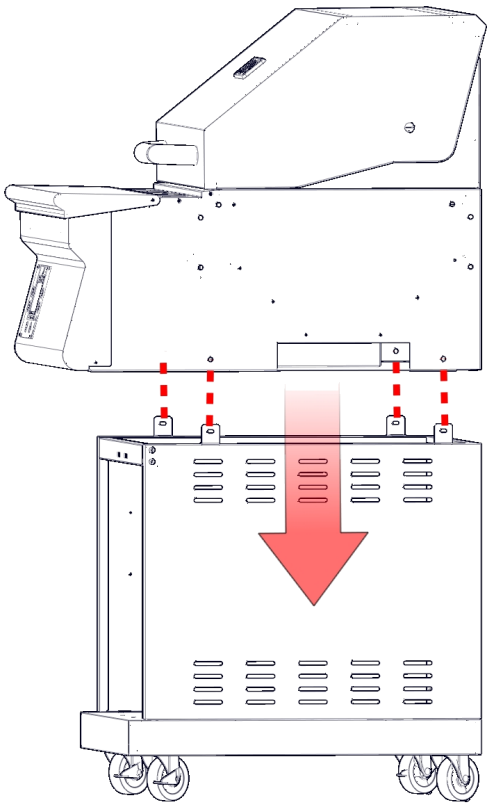


Screw Door Bottom Pivots (H4) into cabinet bottom (#9), unthreaded side up.

Secure the cabinet walls to the cabinet base using 8x M6 Phillips Screws (H2).



# Cabinet Assembly Continued



Align mounting holes of grilling chamber with cabinet slots.

Attach cabinet and grill head using 2x M6 Phillips Screws (H2) per side.

Tilt, then slide 2x Grease Trays (#15) into place.

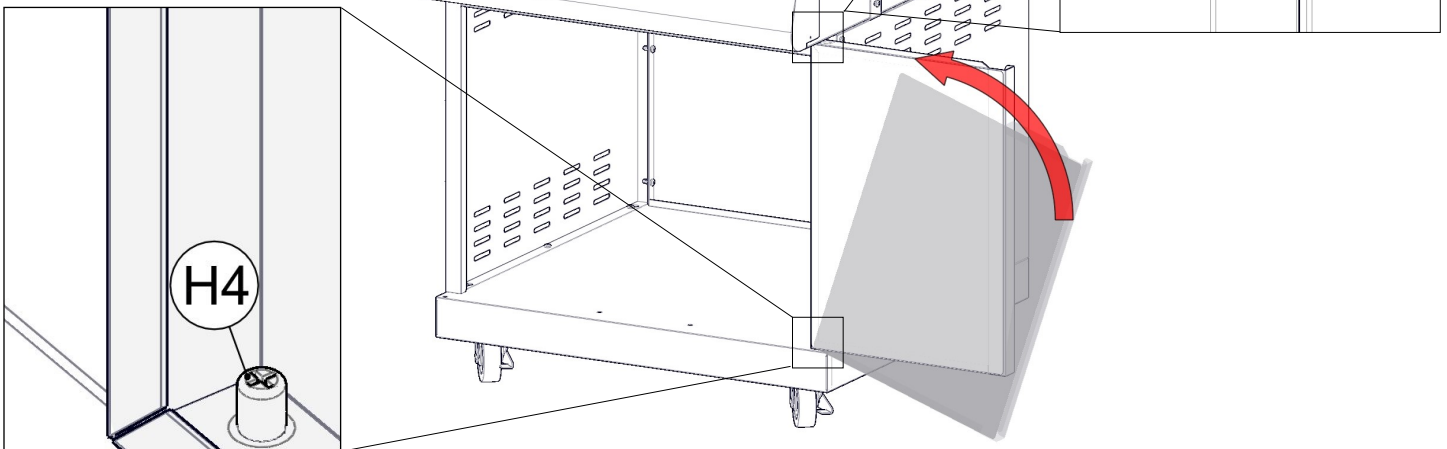
Repeat for opposite side.



Tilt door into Door Bottom Pivot (H4), then push down spring loaded upper pivot on door while rotating door underneath the grill head.

Align upper pivot with hole in grill body as shown.

Repeat for other door.

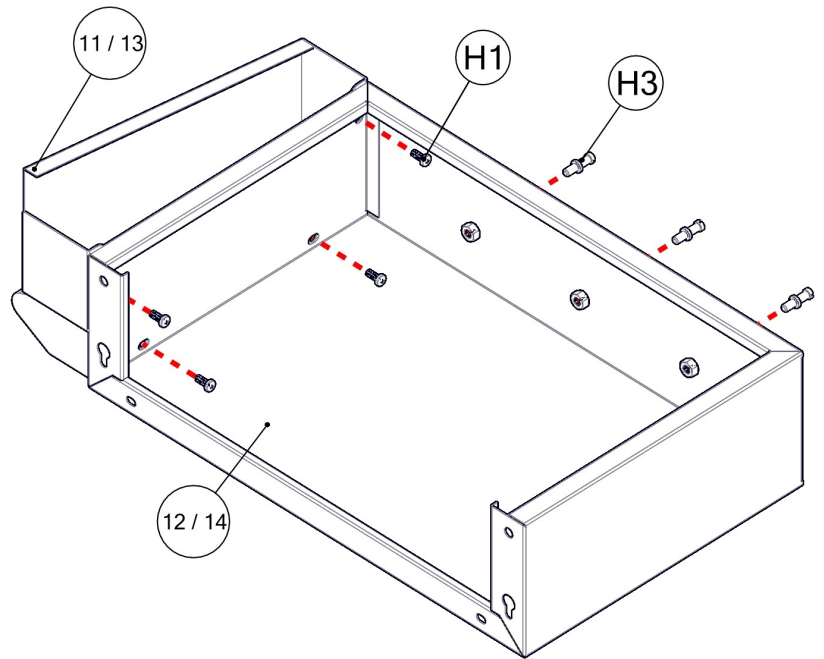


# Shelf Assembly

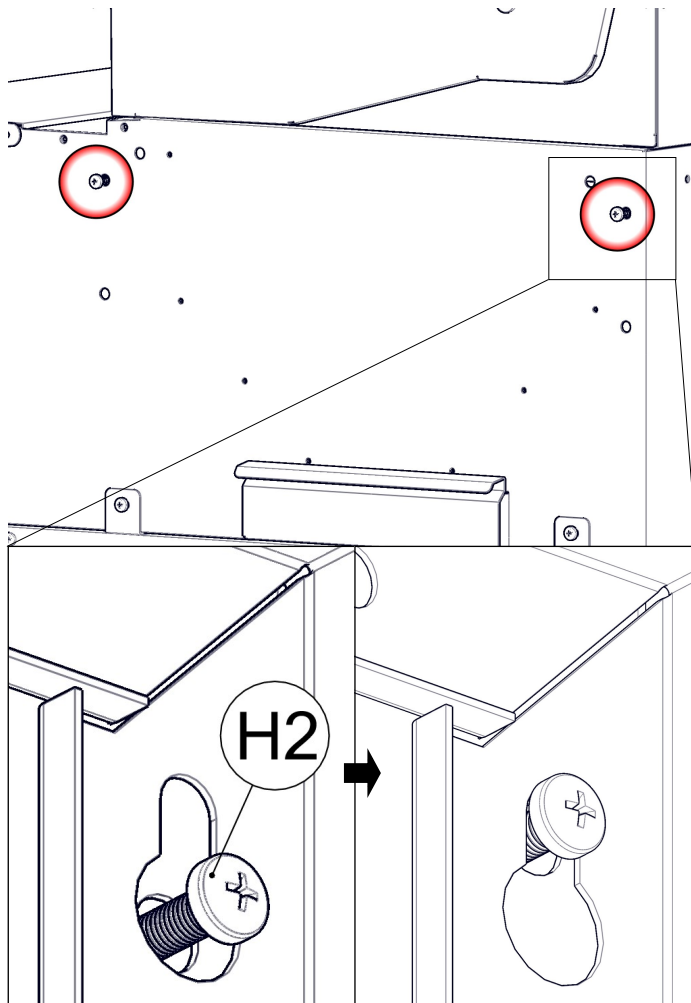
Tighten 3x Tool Holders (H3) per shelf into place as shown.

Use 4x M5 Phillips Screws (H1) per shelf to attach shelf front to shelf body.

Repeat for other side shelf.

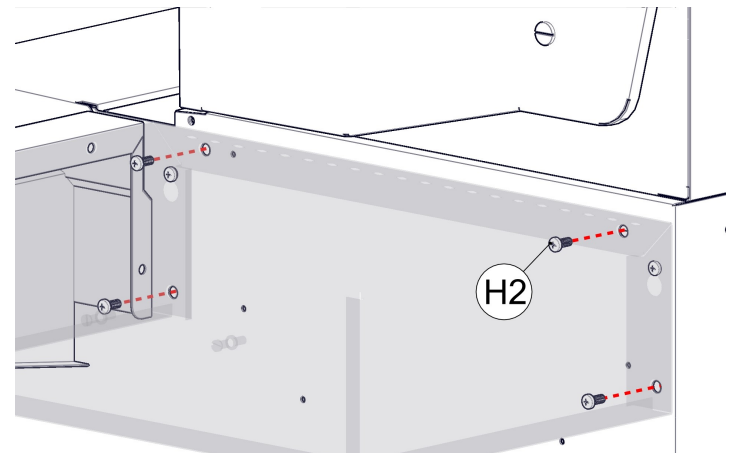


**! Tighten screws carefully to avoid stripping out thread or Phillips drive !**



Thread 2x M6 Phillips Screws (H2) into the outer top shelf mounting holes as shown. Leave loose so that shelf keyholes can fit over.

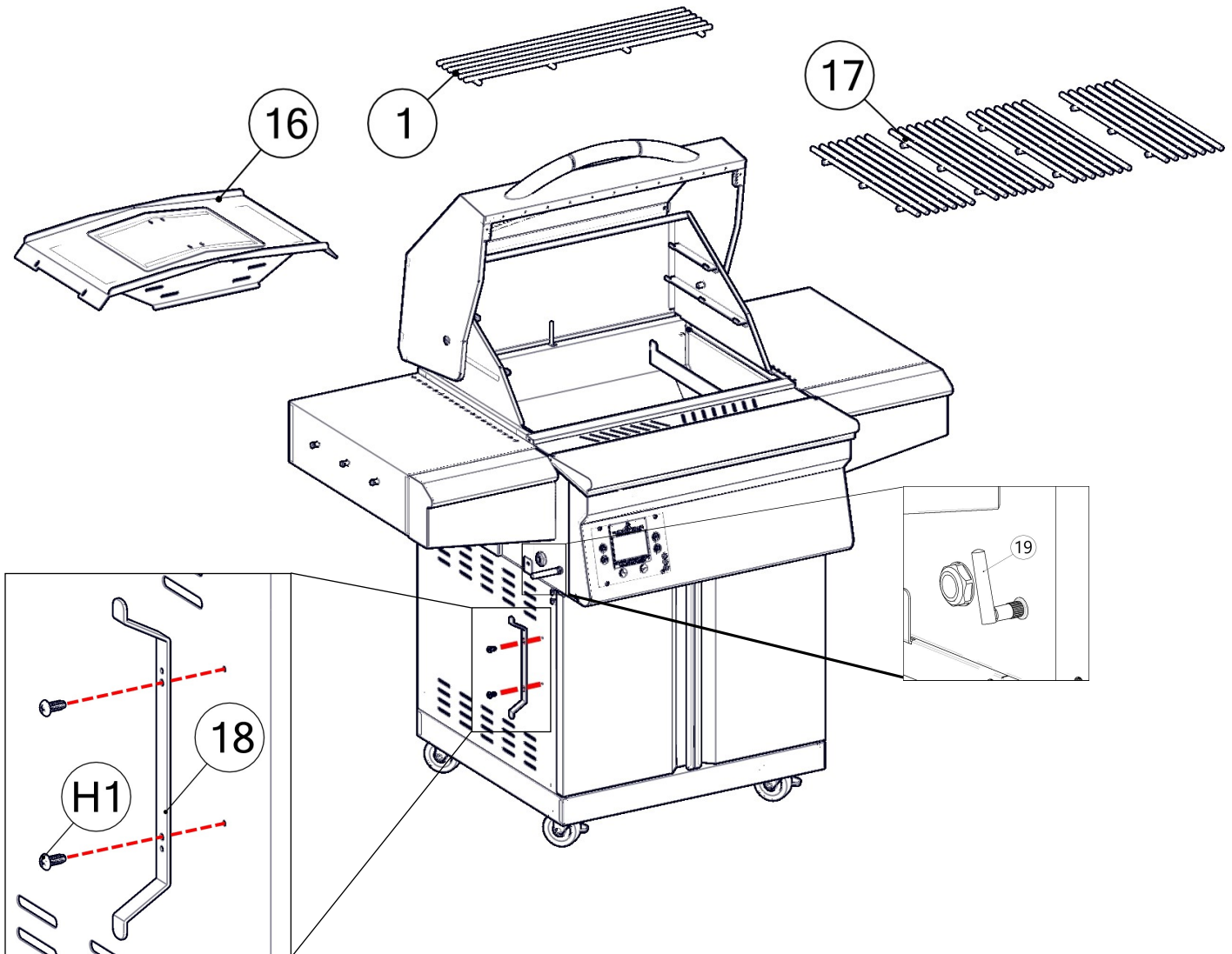
Slide shelf onto the two outer top screws using keyholes on shelf.



Secure shelf using 4x M6 Phillips Screws (H2) through the shelf body into the grill body. A screwdriver works best in this tight space.

Repeat for opposite side.

# Final Assembly



Place Savorizer (#16) back into original packaged position.

Place 4x Main Grates (#17) back into grill.

Place upper grates (#1) onto either of the upper grate holders


Secure the tool holder to the left side panel using 2x M5 Phillips screws (H1)

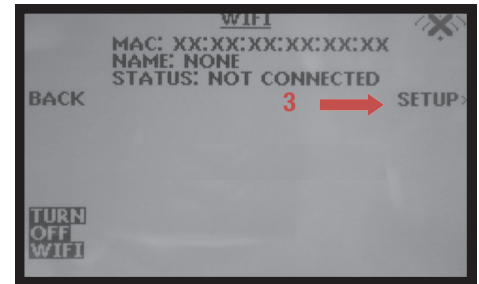
Secure WiFi Antenna (#19) onto WiFi connector



# MEMPHIS WI-FI SET UP GUIDE

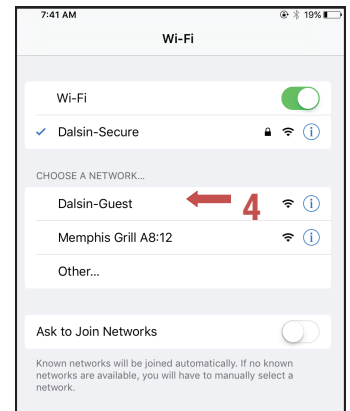
## ON YOUR GRILL CONTROLLER:

- 1) A Wi-Fi connection can be set up in minutes on your Memphis Wood Fire Grill. First power the grill on pressing the upper left button  on the controller, and from the home screen press the lower left button “MENU”, then the bottom right button “DOWN ARROW”, and then the upper right button “WIFI”.
- 2) The “WIFI” screen on your grill contains everything needed to connect your grill to a Wi-Fi network. First, you will notice that Wi-Fi is OFF, this is enabled by default for users not wishing to use Wi-Fi. To turn Wi-Fi ON, simply press the lower left button “TURN ON WIFI”.
- 3) Next, press and release the upper right button “SETUP” and the grill will start broadcasting the Memphis Grill network. Once the status field displays “CONNECTING” the grill is ready to be connected to your network via any Wi-Fi compatible device.



## ON YOUR PHONE OR TABLET: (UNDER WIFI SETTINGS)

- 4) Simply go to available Wi-Fi networks on your phone or tablet and select the network “Memphis Grill xx:xx”  
**NOTE: The xx:xx characters will be your own unique combination of letters and numbers, and will match the last 4 digits shown on the grill controller next to MAC.**
- 5) Once selected, the grills network will automatically bring you to the provisioning page where you will connect your grill to your desired Wi-Fi network. Find all connectible networks in the grills range by hitting the button labeled "Search". Once displayed you can click and release the desired network name and it will auto populate the “SSID” with your selection. Now you can enter your desired networks password. If the network does not require a password, leave the password field blank.

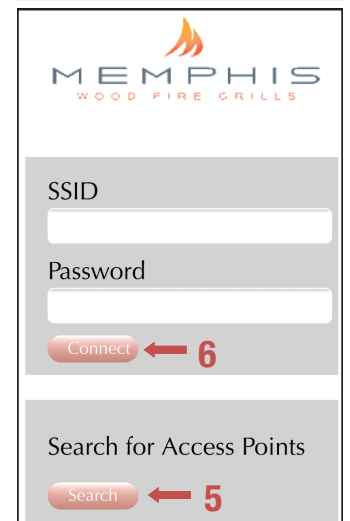


**NOTE: 5.0 GHz networks will not show in the list of available networks as the grill cannot connect to them.**

The network name and password cannot contain any non-alphanumeric characters ie. #, !, ?, -.

The Wi-Fi signal strength at the grill is indicated in the box to the far right of the network name. This will be a negative number ranging from 0 to -100. 0 being the best and -100 being the worst.

Some devices will not bring up the provisioning page automatically. Once your device is connected to the grills network, go into your phones web browser and visit [www.wificonfig.com](http://www.wificonfig.com) to manually bring up the provisioning page.



- 6) Click "Connect" and the page will automatically close.  
**NOTE: Your device may momentarily display an error message. This indicates that the grill has disconnected from your phone and is attempting to connect to your desired network.**
- 7) The Wi-Fi setup is now complete. The status on the controller should now read “WIFI CONNECTED”. The time period from hitting “CONNECT” to “WIFI CONNECTED” can take up to 3 minutes based on connection strength. If the grill does not connect please refer to [www.memphisgrills.com/wi-fi-setup](http://www.memphisgrills.com/wi-fi-setup) for troubleshooting.

| SSID           | MAC            | Signal Strength |
|----------------|----------------|-----------------|
| Home network 1 | XX:XX:XX:F8:A7 | -61             |
| Home 2         | XX:XX:XX:F8:A7 | -61             |
| Home network 3 | XX:XX:XX:F8:A7 | -62             |

# MEMPHIS WI-FI SET UP GUIDE CONTINUED

- 8) Download our app MEMPHIS GRILLS from the IOS App Store or Google Play Store
- 9) Enter a valid email into the "CUSTOMER ID" field, and create a password that you will use to login to the app. Then click "Create an Account" this will bring up our cloud providers Terms of Service, click "Accept". You will then receive an email confirmation link at the email used to sign up from Grovestreams who is our cloud provider.

**NOTE: The email address you used to confirm your Memphis Grills account will become your Customer ID when logging into the app. This email can take up to 15 minutes to appear in your inbox, and may appear in your junk or spam folders.**

- 10) Once the confirmation link is followed from your email, return to the app.
- 11) Once confirmed, login to the app again and you will be able to add your grill. Enter the exact MAC Address and Nickname shown on the grill controller including the colons.

**Example: MAC: F8:F0:05:F4:A8:12**

**NOTE: There are only numerical zeros, fives, and ones in the MAC Address.**

**Nickname is not case sensitive.**

- 12) If this is the first time adding the grill and the nickname shows Memphis on the grill it will ask for a new grill nickname. If the nickname on the grill is anything other than Memphis put that in as the grill nickname.

**NOTE: The grill nickname can only contain numbers and letters, NO spaces.**

9

MEMPHIS  
WOOD FIRE GRILLS

Customer ID

Password

Remember Me

LOGIN

Create An Account

Add Grill 11

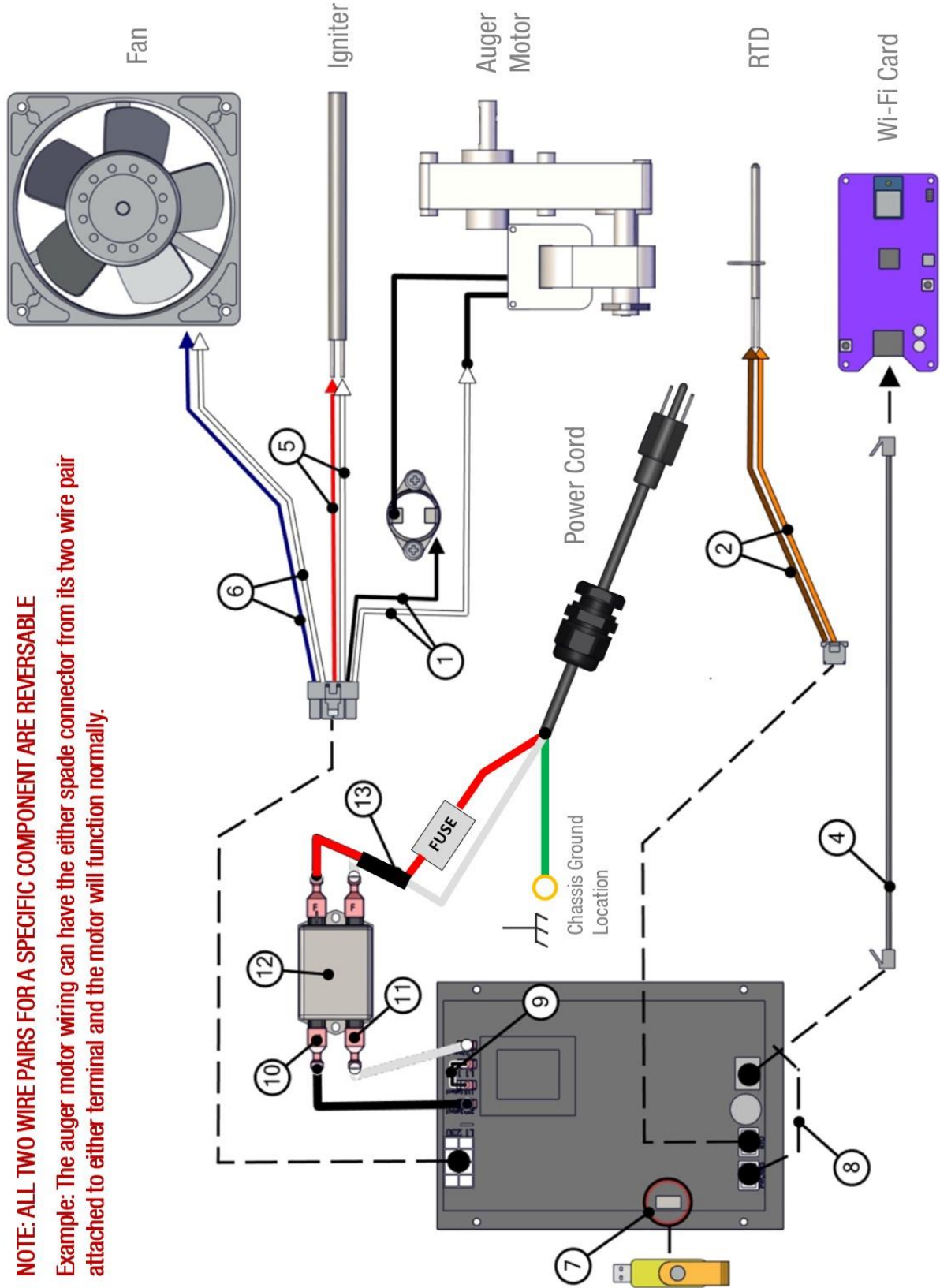
Enter Grill MAC Address and a Grill Nickname.

Grill MAC Address  
F8:F0:05:F4:A8:12

Grill Nickname  
memphis

New Grill Nickname  
newgrill

DONE CANCEL



**NOTE: ALL TWO WIRE PAIRS FOR A SPECIFIC COMPONENT ARE REVERSABLE**

**Example:** The auger motor wiring can have the either spade connector from its two wire pair attached to either terminal and the motor will function normally.



| <u>Item #</u> | <u>NAME</u>                               | <u>Wire Identification</u>   | <u>DESCRIPTION / INSTRUCTION</u>   |
|---------------|---|--|--|
| 1             | Auger Motor Wiring                        | 1x Black Wire, 1x White Wire<br>Snap Disk<br>Leads Extending from Auger Motor  | Attach the white wire shown to one of the leads extending from the auger motor. Attach the black wire to the snap disk as shown. The 2 <sup>nd</sup> lead extending from the auger motor attaches to the opposite side of the snap disk as shown. The snap disk is a thermal switch which will cut power to the auger motor in the event that its critical temperature is reached. |
| 2             | RTD Wiring                                | 1x Orange Wire, 1x Brown Wire  | Attach both spade connectors to the leads extending from the RTD as shown above.   |
| 3             | Grounding Wire                            | Green Wire   | The connection point for the ground is located on the auger motor gearbox body as shown.   |
| 4             | Ethernet Cable                            | Black Cable with Ethernet End  | Attach the Ethernet cable to the terminal on the Wi-Fi card as shown. Ensure that the wiring does not interfere with the auger motor's moving components.  |
| 5             | Igniter Wiring                            | 1x Red Wire, 1x White Wire   | Attach both spade connectors to the leads extending from the igniter. These leads will extend from next to the fan.  |
| 6             | Fan Wiring                                | 1x Blue Wire w/ 2 spade ends,<br>1x White Wire w/ 2 spade ends   | Attach the connections on this jumper to the two tabs located on the side of the fan housing.  |
| 7             | USB Port                                  | N/A  | Used to update your grill, see the "Updating Controller Software" section of the main manual for information.  |
| 8             | Meat Probe Wiring                         | 1x Red Wire 1x Black Wire,<br>Wires twisted around each other  | This terminal is used to connect the meat probes to the controller   |
| 9             | 120/240 Select Jumper                     | 1x Black Wire  | Used when changing the input voltage to the controller, see "120v to 240v Conversion" section of the main manual for information.  |
| 10            | AC Load Wire from Filter to Controller    | 1x Black Wire  | Carries AC voltage from the filter to the control board, load wire.  |
| 11            | AC Neutral Wire from Filter to Controller | 1x White Wire  | Carries AC voltage from the filter to the control board, neutral wire.   |
| 12            | Filter                                    | N/A  | Reduces electrical feedback. Line = Outlet Side, Load = Grill Side. L1 = Load L2= Neutral  |
| 13            | MOV + Fuse Holder                         | 1x Red Wire 1x White Wire,<br>Pair is joined in the middle with black shrink wrap. Fuse holder is cylindrical and white plastic. | A two wire component which has a ferrite choke to eliminate input electrical disturbances from the grid. Load and Neutral wires. Fuse holder that accepts  |

CONTACT YOUR DEALER OR MEMPHIS GRILLS TECHNICAL SERVICE WITH ANY QUESTIONS.

TECHNICAL SERVICE NUMBER: 1-888-883-2260