



SINGLE SERVE COFFEE MAKER WITH 40 OZ WATER TANK

Instruction Manual and Recipe Guide

CAFETERA DE MONODOSIS CON TANQUE DE AGUA DE 40 OZ

Manual de instrucciones y guía de recetas

WWW.BELLAHOUSEWARES.COM

Register your product and get support • Registrar y obtener asistencia de su producto



THANK YOU

for your purchase

REGISTER
AND SIGN UP



for special announcements and trendy recipes!

TELL US WHAT
YOU THINK!



Rate, review or ask us a question.

GO TO: bellahousewares.com

#myBELLAlife



BellaLifestyle



BellaLife





Table of Contents

Important Safeguards.....	2
Additional Important Safeguards.....	3
Notes on the Plug.....	3
Notes on the Cord.....	3
Electric Power.....	3
Getting to Know Your Dualbrew Single Serve Coffee Maker.....	4
Introduction.....	5
Before Using for the First Time.....	5
Brewing Instructions.....	5
Adjusting the drip tray.....	6
Setting up your Dualbrew Single Serve Coffee Maker using the capsule adaptor.....	6
Setting up your Dualbrew Single Serve Coffee Maker using the ground coffee adaptor.....	7
Setting up your Dualbrew Single Serve Coffee Maker to boil water.....	7
Setting Up your Single-Serve Coffee Maker for Iced Beverages Using a Capsule.....	8
Using Ground Coffee.....	8
Brewing Another Cup.....	8
User Maintenance Instructions.....	8
Care & Cleaning Instructions.....	8
Descaling Instructions.....	9
Storing Instructions.....	9
Warranty.....	10

Índice

Medidas de seguridad importantes.....	11-12
Otras medidas de seguridad importantes.....	12
Notas sobre el enchufe.....	13
Notas sobre el cable.....	13
Corriente eléctrica.....	13
Descripción de la cafetera de monodosis.....	14
Instrucciones de elaboración.....	16
Introducción.....	15
Antes de utilizar por primera vez.....	15
Instrucciones de elaboración.....	16
Ajuste de la bandeja de goteo.....	16
Configuración de la cafetera de monodosis con el adaptador de cápsulas.....	16-17
Configuración de la cafetera de monodosis con el adaptador de café molido.....	17
Configuración de la cafetera de monodosis para que hierva agua.....	18
Configuración de la cafetera de una sola taza para bebidas con hielo.....	18
Usando una cápsula.....	18
Usando café molido.....	18
Elaboración de tazas adicionales.....	18
Instrucciones de mantenimiento para el usuario.....	18
Instrucciones de cuidado y limpieza.....	19
Instrucciones para la desincrustación.....	19
Instrucciones de almacenamiento.....	19
Garantía.....	20



IMPORTANT SAFEGUARDS

When using electrical appliances, basic safety precautions should always be followed including the following:

1. **READ ALL INSTRUCTIONS.**
2. Do not touch hot surface. Use handles or knobs only.
3. This appliance is not intended for use by persons (including children) with reduced physical, sensory or mental capabilities, or lack of experience and knowledge, unless they have been given supervision or instruction concerning use of the appliance by a person responsible for their safety.
4. Close supervision is necessary when any appliance is used by or near children.
5. In order to minimize the risk of property damage, never place the Coffee Maker under cabinets. Make sure the area several feet above the Coffee Maker is clear from all furniture or cabinetry.
6. Do not open top cover while coffee is brewing. Scalding may occur if the cover is lifted or removed during the brewing cycle.
7. Do not use outdoors.
8. Unplug unit from outlet when either the appliance or display clock is not in use, and before cleaning. Allow unit to cool before putting on or taking off parts, and before cleaning.
9. To protect against fire, electrical shock and injury to persons do not immerse cord, plugs, or appliance in water or other liquids.
10. Do not operate any appliance with a damaged cord or plug, or after the appliance malfunctions, or has been damaged in any manner. Return appliance to the nearest authorized service facility for examination, repair or adjustment. **NOTE: DO NOT ATTEMPT TO REPAIR THE UNIT YOURSELF. THIS WILL VOID THE WARRANTY.**
11. The use of accessory attachments not recommended by the appliance manufacturer may result in fire, electric shock or injury to persons.
12. Never move the appliance by pulling the cord. Do not let the cord hang over the edge of a table or counter or touch hot surfaces.
13. Stand the appliance on a table or flat surface.
14. To interrupt the brew cycle, press either the 6oz, 10oz, or 15oz button, whichever one was originally pressed to start the brewing cycle.
15. To disconnect, remove plug from wall outlet
16. Never use your Coffee Maker without water in it.
17. Do not place appliance on or near a hot gas or electric burner or in a heated oven.
18. Unplug the power cord from the electrical outlet when the appliance is not in use, left unattended.
19. Do not use this appliance for other than its intended use.
20. Scalding may occur if the lid is removed during the brewing cycles.
21. To reduce the risk of fire, do not mount unit over or near any portion of a heating or cooking appliance.
22. To reduce the risk of electric shock, do not mount over a sink.

23. To reduce the risk of fire, do not store anything directly on top of the appliance surface when the appliance is in operation.

CAUTION: There are two sharp needles that puncture the capsules. One is located inside the capsule adaptor and the other is located on the top underside of the adaptor compartment. To avoid risk of injury do not place fingers inside either parts. Also exercise caution when cleaning the parts.

CAUTION: There is boiling water in the front tab lid section during the brew process. Do not open the lid at any time for risk of injury.

FOR HOUSEHOLD USE ONLY SAVE THESE INSTRUCTIONS ADDITIONAL IMPORTANT SAFEGUARDS

WARNING: This appliance generates heat and escaping steam during use. Proper precautions must be taken to prevent the risk of burns, fires, or other injury to persons or damage to property.

1. All users of this appliance must read and understand this Instruction Manual before operating or cleaning this appliance.
2. The cord to this appliance should be plugged into a 120V AC electrical outlet only.
3. Use water only in this appliance! Do not put any other liquids or food products in this appliance. Do not mix or add anything to the water placed in this appliance, except as instructed in the User Maintenance Instructions to clean the appliance.
4. DO NOT attempt to move an appliance containing hot liquids. Allow appliance to cool completely before moving.
5. Keep appliance at least 4 inches away from walls or other objects during operation. Do not place any objects on top of appliance while it is operating. Place the appliance on a surface that is resistant to heat.
6. If this appliance begins to malfunction during use, immediately unplug the cord. Do not use or attempt to repair the malfunctioning appliance.
7. If this appliance falls or accidentally becomes immersed in water or any other liquid, unplug it immediately. Do not reach into the water! Do not use this appliance after it has fallen into or has become immersed in water.
8. The appliance must be left to cool down sufficiently before adding more water to avoid exposure to steam.
9. Always use fresh, cool water in your appliance. Warm water or other liquids, except as listed in cleaning section, may cause damage to the appliance.

NOTES ON THE PLUG

This appliance has a polarized plug (one blade is wider than the other). To reduce the risk of electric shock, this plug will fit in a polarized outlet only one way. If the plug does not fit fully into the outlet, reverse the plug. If it still does not fit, contact a qualified electrician. Do not modify the plug in any way.

NOTES ON THE CORD

a) A short power-supply cord (or detachable power-supply cord) is to be provided to reduce risks resulting from becoming entangled in or tripping over a longer cord.

b) Longer detachable power-supply cords or extension cords are available and may be used if care is exercised in their use.

c) If a long detachable power-supply cord or extension cord is used:

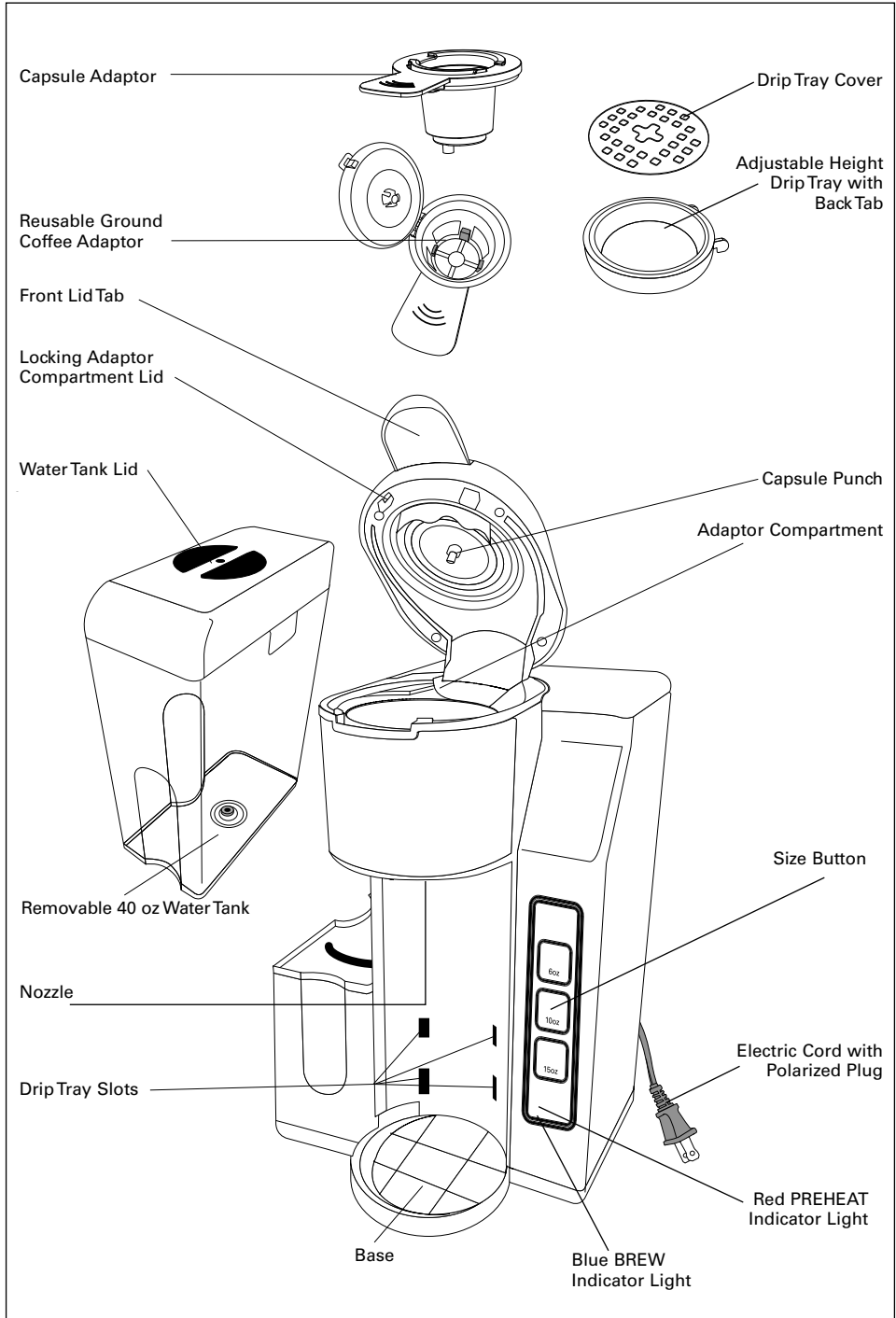
- 1) The marked electrical rating of the detachable power-supply cord or extension cord should be at least as great as the electrical rating of the appliance;
- 2) If the appliance is of the grounded type, the extension cord should be a grounding- type 3-wire cord; and
- 3) The longer cord should be arranged so that it will not drape over the counter top or table top where it can be pulled on by children or tripped over.

ELECTRIC POWER

If the electrical circuit is overloaded with other appliances, your appliance may not operate properly. It should be operated on a separate electrical circuit from other appliances.

Getting To Know Your Single Serve Coffee Maker

Product may vary slightly from illustration



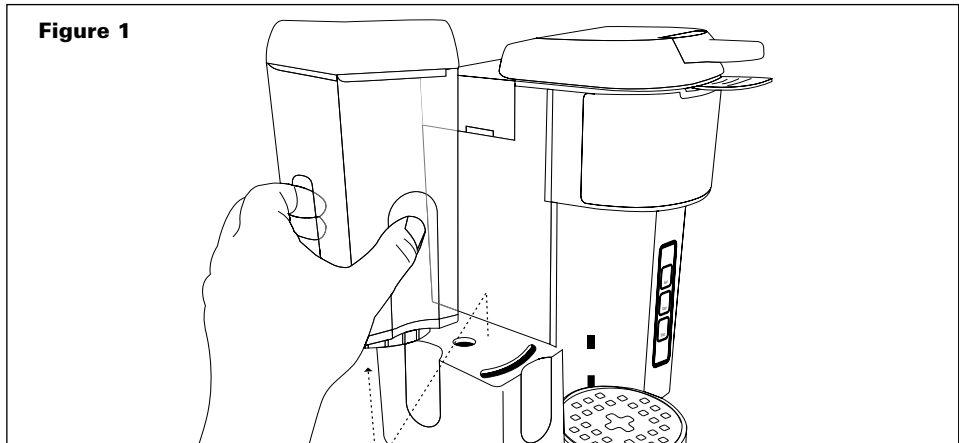
Introduction

- This single-serve Coffee Maker uses a pressurized system to brew a perfect single hot beverage.
- The adjustable drip tray accommodates most cup sizes, mugs, tall travel mugs or tumblers.
- Use the ground coffee adaptor (included) to create special blends of your favorite coffee. For added personalization, add a dash of your favorite spice, from cinnamon, orange peel, cardamom or vanilla bean to name a few.
- Using the reusable ground coffee adaptor is an environmentally-friendly choice that will also save you money!

Before Using for the First Time

CAUTION: To protect against electrical shock, do not immerse the Coffee Maker or allow the power cord to come into contact with water or other liquids.

1. Remove all packing material and labels from the inside and outside of the Coffee Maker. Place the unit on a flat, clean surface. Make sure to remove both adaptors from the inner packaging.
2. Before use, thoroughly clean both adaptors with warm soapy water.
3. To clean the inside of the unit, it is recommended to brew a full tank of water, which corresponds to brew 3 to 4 tall cups.
4. Grasp the removal water tank using the designated grips. Lift the water tank up and remove it from the base of the unit. (See Figure 1)
5. Remove the lid and fill the water tank to the MAX indicator line with cold water.



NOTE: Never fill the water tank past the MAX indicator line and ensure water level is above the MIN indicator line.

6. Put the lid back and put the water tank back into place. Place down firmly to make sure it is securely in place.
7. Select the desired height for the drip tray, depending on the size of the cup, mug, or tumbler being used.
8. Place the empty cup, mug, or tumbler in position on the drip tray cover.
NOTE: Do not add any adaptor for this initial cleaning.
9. To select the brew size press either the 6-oz, 10-oz or 15-oz button.
10. The light on the selected button size will begin to flash as the Coffee Maker begins heating the water.
11. When the water has reached the optimum temperature, the light on the button will illuminate solid. Water will begin to stream through the nozzle. At the end of the cycle, the Coffee Maker and indicator light will automatically TURN OFF.

IMPORTANT: Repeat this process twice to thoroughly clean the machine before using for the first time.

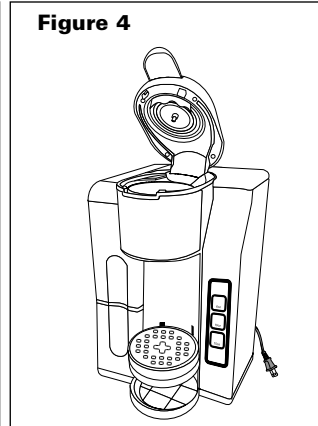
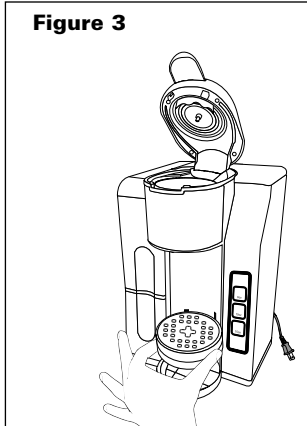
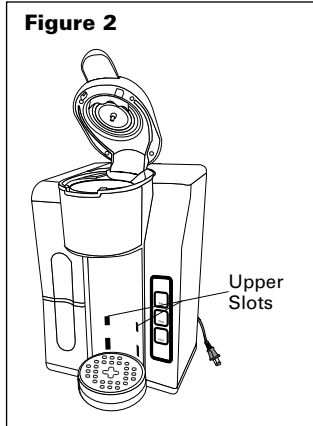
12. Unplug the Coffee Maker when not in use.

Brewing Instructions

The drip tray adjusts to two heights to accommodate shorter cups or mugs to taller travel mugs/tumblers. For taller travel mugs and tumblers, make sure the drip tray and cover are properly placed in the lower position. (See Figure 2.) When brewing a smaller cup, raise the drip tray to the upper level to avoid splatter. (See Figure 4.)

Adjusting the Drip Tray

1. Grasp the drip tray and cover from the base. (See Figure 2.)
2. Holding on to both pieces, slightly tilt upwards and slide out from the unit. (See Figure 3.)
3. Using the tab on the back of the drip tray as your guide, again slightly tilt both pieces upwards and glide the tabs into the upper slots on the Coffee Maker body. (See Figure 4.) Press down on the drip tray with your hand to make sure it is firmly and properly attached before placing the cup or mug on top.



Setting Up your Single Serve Coffee Maker Using the Capsule Adaptor

WARNING: Before brewing, it is recommended the water tank be filled at least to the MIN indicator line.

To avoid damage to your Coffee Maker, never operate your Single Serve Coffee Maker when the water tank is empty.

1. up and remove it from the base of the unit. (See Figure 1.)
2. Remove the lid and fill the water tank to the MAX indicator line with cold water.
NOTE: Never fill the water tank past the MAX indicator line and ensure water level is above the MIN indicator line.
IMPORTANT: For optimal flavor, distilled or filtered water is preferred.
3. Put the lid back and put the water tank back into place. Place down firmly to make sure it is securely in place.
4. Select the desired height for the drip tray, depending on the size of the cup, mug, or tumbler being used
5. Place the empty cup, mug, or tumbler in position on the drip tray cover
6. Pull the adaptor compartment's front tab up to unlock and lift the lid.
7. Choose the capsule adaptor. Add the capsule of your choice into the adaptor. Press down on the capsule until it is flush with the adaptor. You will hear a pierce as the needle penetrates the capsule.
8. With the handle facing front, place the capsule adaptor into the adaptor compartment. Slide the adaptor handle in to the grooves at the front of the Coffee Maker.
9. Press the adaptor compartment's lid down firmly. An audible click can be heard as the lid is locked firmly into position, and the top of the capsule will be punctured.
10. Plug the Coffee Maker into a 120V AC electrical wall outlet
11. To select the brew size press either the 6-oz, 10-oz or 15-oz button.
12. The light on the selected button size will begin to flash as the Coffee Maker begins heating the water.
13. When the water has reached the optimum temperature, the light on the button will illuminate solid.
14. The pump will then activate and coffee will begin to stream through the nozzle.
15. To interrupt the brewing cycle at any time, press the same size button you had originally selected. Then remove the plug from the wall outlet.
16. At the end of the cycle, the Coffee Maker and all indicator light will automatically turn OFF.
17. Allow unit to cool before removing the used capsule to discard.
18. Unplug the Coffee Maker when not in use.

Setting Up your Single Serve Coffee Maker with Water Tank Using the Ground Coffee Adaptor

The ground coffee adaptor allows you to create your own favorite blend of coffee. Personalize your blends by adding a dash of cinnamon, orange peel, cardamom or vanilla bean for flavoring, to name a few options.

NOTE: For best results, use medium ground coffee.

WARNING: Before brewing, it is recommended the water tank be filled at least to the MIN indicator line. To avoid damage to your Coffee Maker, never operate your Single Serve Coffee Maker when the water tank is empty.

1. Grasp the removable water tank using the designated grips. Lift the water tank up and remove it from the base of the unit. (See Figure 1)
2. Remove the lid and fill the water tank to the MAX indicator line with cold water.
NOTE: Never fill the water tank past the MAX indicator line and ensure water level is above the MIN indicator line.
IMPORTANT: For optimal flavor, distilled or filtered water is preferred.
3. Put the lid back and put the water tank back into place. Place down firmly to make sure it is securely in place.
4. Select the desired height for the drip tray, depending on the size of the cup, mug, or tumbler being used.
5. Place the empty cup, mug, or tumbler in position on the drip tray cover.
6. Pull the adaptor compartment's front tab up to unlock and lift the lid.
7. Choose the ground coffee adaptor and fill it with medium size ground coffee. There are indicator lines inside the filter for 6-oz, 10-oz and 15-oz servings. Add the desired amount of coffee to the line of your choice. **DO NOT EXCEED** the 15-oz line. Once the coffee has been added, close the ground coffee adaptor lid.
8. With the handle facing front, place the ground coffee adaptor into the adaptor compartment. Slide the adaptor handle into the grooves at the front of the Coffee Maker.
9. Press the adaptor compartment's lid down firmly. An audible click can be heard as the lid is locked firmly into position.
10. Plug the Coffee Maker into a 120V AC electrical wall outlet.
11. To select the brew size press either the 6-oz, 10-oz or 15-oz button, and the brew cycle will begin.
12. The indicator light will begin to flash as the Coffee Maker begins heating the water.
13. When the water has reached the optimum temperature, the light on the button will illuminate solid.
14. The pump will then activate and coffee will begin to stream through the nozzle.
15. To interrupt the brewing cycle at any time, press the same size button you had originally selected. Then remove the plug from the wall outlet.
16. At the end of the cycle, the Coffee Maker and all indicator light will automatically turn OFF.
17. Unplug the Coffee Maker when not in use.

Setting Up your Single Serve Coffee Maker with Water Tank to Boil Water

Heating plain water in your Single Serve Coffee Maker is quick and easy. Water is dispensed at the perfect temperature for preparing single cups of bagged teas, instant soups, quick cooking oats, packaged hot chocolate, hot apple cider or anything that requires boiling water.

WARNING: Before brewing, it is recommended the water tank be filled at least to the MIN indicator line. To avoid damage to your Coffee Maker, never operate your Single Serve Coffee Maker when the water tank is empty.

IMPORTANT: To prevent tainted or "off" flavors when changing hot beverages, while the unit is OFF, use a damp paper towel to completely remove any residue from the adaptor compartment.

1. Follow detailed brewing instructions described previously.
2. Prepare your cup, mug, or tumbler by placing the item of your choice into the mug
3. Select either adaptor. With the handle facing front, place the adaptor of choice into the adaptor compartment. Slide the adaptor handle into the grooves at the front of the coffee maker.
4. Following detailed instructions described previously, adjust the drip tray to accommodate your cup, mug, or tumbler.
5. Center the cup under the nozzle



Setting Up your Single-Serve Coffee Maker for Iced Beverages Using a Capsule:

Follow the “SETTING UP YOUR SINGLE-SERVE COFFEE MAKER USING THE CAPSULE ADAPTOR” instructions with the following adjustments:

1. Use K-Cup® capsule with a stronger flavour.
2. Use a tall (approximately 16-oz.) cup/tumbler filled with ice cubes.

CAUTION: Do not use with a glass cup/tumbler as there is risk the glass may crack or break.

Using Ground Coffee:

Follow the “SETTING UP YOUR SINGLE-SERVE COFFEE MAKER USING THE GROUND COFFEE ADAPTOR” instructions.

1. Fill the reusable ground coffee adaptor to the MAX fill line.
2. Use a tall (approximately 16-oz.) cup/tumbler filled with ice cubes.

CAUTION: : Do not use with a glass cup/tumbler as there is risk the glass may crack or break.

Brewing Another Cup

You can brew cup after cup of your favorite hot beverage

User Maintenance Instructions

This appliance requires little maintenance. It contains no user-serviceable parts. Any servicing requiring disassembly other than cleaning must be performed by a qualified appliance repair technician.

Care & Cleaning Instructions

1. Always make sure Coffee Maker is unplugged and the drip tray and cover are cool before removing from the base.
2. Rinse drip tray and cover and replace in the Coffee Maker base.
3. Press the adaptor compartment’s front lid to unlock and lift the lid.
4. Remove the used capsule from the capsule adaptor and discard. Rinse the capsule adaptor in warm water before each use.
5. When using the reusable ground coffee adaptor, discard the used coffee. Wash adaptor in warm, soapy water, to remove all coffee grinds. Rinse well.
NOTE: Both the capsule and the ground coffee adaptors are top rack dishwasher safe.
6. Use a damp paper towel or sponge to completely remove any residue from the adaptor compartment.
7. Wipe the exterior of the Coffee Maker with a damp cloth to remove superficial stains. For stubborn stains, use a nylon or plastic pad with a non-abrasive cleanser. Do not use metal scouring pads or abrasive cleansers.

Descaling Instructions

Special cleaning of your Coffee Maker is recommended at least twice a year, depending on frequency of use and quality of water used in the unit. If water in your area is especially hard, the following cleaning procedure should be performed more often, since minerals in water can detract from the flavor of the coffee and possibly lengthen brew time.

1. Fill water tank with 1 part white vinegar (3-oz.) to 3 parts cold water (9-oz.).
2. Do not add any adaptor.
3. Place an empty tumbler in position on the drip tray cover
4. Select a brew size by pressing the Size button until the indicator light illuminates the desired size.
5. Press either the Ground Coffee or Capsules button.
6. The red PREHEAT indicator light will begin to flash as the Coffee Maker begins heating the cleaning solution.
7. The blue BREW light will illuminate as the cleaning solution begins to stream through the nozzle. At the end of the cycle, the Coffee Maker and all indicator lights will automatically turn OFF.
8. Repeat steps 3 to 5 until the water tank is empty.
9. Following the same procedure, continue to run clean water through the Coffee Maker three times, or until water is clean and fresh and no residual vinegar odor or flavor remains.
10. Unplug the Coffee Maker when not in use.
11. Dry parts thoroughly. Wipe the Coffee Maker’s exterior with a dry cloth



Storing Instructions

1. Unplug unit and allow to cool.
2. Never wrap cord tightly around the appliance. Do not put any stress on the cord where it enters the unit, as it could cause the cord to fray and break.
3. Store one clean adaptor in the Coffee Maker's adaptor compartment.
4. Store the other adapter with the unit.
5. Store the Coffee Maker in a cool, dry place.
6. Never store unit while it is still plugged in.



Limited TWO-YEAR Warranty

SENSIO Inc. hereby warrants that for a period of **TWO YEARS** from the date of purchase, this product will be free from mechanical defects in material and workmanship, and for 90 days in respect to non-mechanical parts. At its sole discretion, SENSIO Inc. will either repair or replace the product found to be defective, or issue a refund on the product during the warranty period.

The warranty is only valid for the original retail purchaser from the date of initial retail purchase and is not transferable. Keep the original sales receipt, as proof of purchase is required to obtain warranty validation. Retail stores selling this product do not have the right to alter, modify, or in any way revise the terms and conditions of the warranty.

EXCLUSIONS:

The warranty does not cover normal wear of parts or damage resulting from any of the following: negligent use of the product, use of improper voltage or current, improper routine maintenance, use contrary to the operating instructions, disassembly, repair, or alteration by anyone other than qualified SENSIO Inc. personnel. Also, the warranty does not cover Acts of God such as fire, floods, hurricanes, or tornadoes.

SENSIO Inc. shall not be liable for any incidental or consequential damages caused by the breach of any express or implied warranty. Apart from the extent prohibited by applicable law, any implied warranty of merchantability or fitness for a particular purpose is limited in time to the duration of the warranty. Some states, provinces or jurisdictions do not allow the exclusion or limitation of incidental or consequential damages, or limitations on how long an implied warranty lasts, and therefore, the above exclusions or limitations may not apply to you. The warranty covers specific legal rights which may vary by state, province and/or jurisdiction.

HOW TO OBTAIN WARRANTY SERVICE:

You must contact Customer Service at our toll-free number: 1-866-832-4843. A Customer Service Representative will attempt to resolve warranty issues over the phone. If the Customer Service Representative is unable to resolve the problem, you will be provided with a case number and asked to return the product to SENSIO Inc. Attach a tag to the product that includes: your name, address, daytime contact telephone number, case number, and description of the problem. Also, include a copy of the original sales receipt. Carefully package the tagged product with the sales receipt, and send it (with shipping and insurance prepaid) to SENSIO Inc.'s address. SENSIO Inc. shall bear no responsibility or liability for the returned product while in transit to SENSIO Inc.'s Customer Service Center.

MEDIDAS DE SEGURIDAD IMPORTANTES

Siempre se deben seguir las precauciones básicas de seguridad cuando se usan artefactos eléctricos, incluso lo siguiente:

1. LEA TODAS LAS INSTRUCCIONES.

2. No toque las superficies calientes. Utilice las asas o los mangos.
3. Este electrodoméstico no debe ser utilizado por personas (incluidos niños) con capacidades físicas, sensoriales o mentales reducidas, o con falta de experiencia y conocimientos, a menos que una persona responsable de su seguridad les haya brindado supervisión o instrucciones sobre el uso de los electrodomésticos.
4. La supervisión cuidadosa es necesario cuando el electrodoméstico sea usado por o cerca de niños.
5. Para reducir el riesgo de daños a la propiedad, nunca coloque la cafetera debajo de los gabinetes. Asegúrese de que el área de varios pies por encima de la cafetera es lejos de todos los muebles y gabinetes.
6. No abra la cubierta mientras que el café está preparando. Se puede quemar si la tapa se levanta o se retira durante el ciclo de preparación.
7. No lo utilice en exteriores.
8. Desenchufe el electrodoméstico del tomacorriente cuando no utilice el electrodoméstico o su reloj de pantalla. Deje que el aparato se enfríe antes de colocar o retirar piezas o antes de limpiarlo.
9. Para protegerse del riesgo de descarga eléctrica, no sumerja el cable, el enchufe ni la unidad en agua ni en ningún otro líquido.
10. No utilice ningún electrodoméstico que tenga un cable o enchufe dañado, que muestre un funcionamiento defectuoso o que se haya dañado de cualquier manera. Lleve el electrodoméstico a un técnico calificado para que lo examine, lo repare o le haga ajustes eléctricos o mecánicos.

NOTA: NO INTENTE REPARAR LA UNIDAD USTED POR SI MISMO. ESTO ANULARÁ LA GARANTÍA.

11. El uso de accesorios no recomendados o vendidos por el fabricante puede causar fuego, descarga eléctrica o lesiones.
12. Nunca mueva el aparato tirando del cable. No permita que el cable cuelgue del borde de la mesa o encimera o toque superficies calientes.
13. Coloque el aparato sobre una mesa o superficie plana.
14. Para interrumpir el ciclo de preparación, presione ya sea el botón de 6 oz, 10 oz o 15 oz, el mismo que se haya presionado originalmente para iniciar el ciclo de preparación.
15. Para desconectar, retire el enchufe del tomacorrientes
16. Nunca utilice la cafetera sin agua en el tanque.
17. NO coloque el aparato encima de, cerca de o en un quemador eléctrico o de gas calientes, ni dentro una estufa encendida
18. Desenchufe el cable del tomacorriente cuando el aparato no esté en uso o sea dejado sin supervisión. No intente trasladar el aparato si contiene líquidos calientes, ya que puede presentar un riesgo de lesiones o quemaduras. Deje que los líquidos se enfríen antes de trasladar el aparato.
19. No utilice el aparato para otro uso que no sea el previsto.
20. Puede sufrir quemaduras si retira la tapa durante los ciclos de preparación.
21. Para reducir el riesgo de incendio, no monte la cafetera sobre o cerca de ninguna parte de un aparato de calefacción o cocina.

22. Para reducir el riesgo de descarga eléctrica, no lo monte sobre un fregadero.
23. Para reducir el riesgo de incendio, no guarde nada directamente sobre la superficie del aparato cuando el aparato esté en funcionamiento.

PRECAUCIÓN: Hay dos agujas filosas que perforan las cápsulas. Una se encuentra dentro del adaptador de cápsulas y la otra, en la cara inferior de la parte superior del compartimiento del adaptador. Para evitar el riesgo lesiones, no coloque los dedos dentro de ninguna de las piezas. Tenga cuidado cuando limpia las piezas.

PRECAUCIÓN: Hay agua hirviendo en la lengüeta delantera de la tapa durante el proceso de preparación. No abra la tapa en ningún momento para evitar el riesgo de lesiones.

SOLO PARA EL USO DOMÉSTICO

GUARDE ESTAS INSTRUCCIONES

OTRAS MEDIDAS DE SEGURIDAD IMPORTANTES

ADVERTENCIA: Este aparato emite calor y se escape el vapor durante el uso. Se deben tomar las medidas necesarias para evitar riesgos de quemaduras, incendios u otras lesiones a personas o daños a la propiedad.

1. Todos los usuarios de este electrodoméstico deben leer y comprender este manual de instrucciones antes de poner en funcionamiento o limpiar el aparato.
2. Enchufe la unidad en una toma eléctrica de 120V de CA.
3. ¡Use solo agua en este aparato! No coloque otros líquidos ni alimentos en este aparato. No mezcle nada con el agua que coloca en el aparato ni le agregue nada, a excepción de lo que se indica en las Instrucciones de mantenimiento para el usuario a fin de limpiar el aparato.
4. NO intente trasladar un aparato que contiene líquidos calientes. Deje que el aparato se enfríe completamente antes de trasladarlo.
5. Mantenga el aparato alejado al menos 4 pulgadas de las paredes u otros objetos durante su funcionamiento. No coloque ningún objeto en la parte superior del aparato mientras está en funcionamiento. Coloque el aparato en una superficie resistente al calor.
6. Si el aparato comienza a funcionar mal durante el uso, desenchúfelo inmediatamente. No utilice ni intente reparar el aparato que funciona mal.
7. Si este aparato cae o se sumerge accidentalmente en agua, desenchúfelo inmediatamente. ¡No se meta en el agua! No utilice este aparato después de haber caído o sumergido en agua.
8. Se debe permitir que el aparato se enfríe bien antes de agregar más agua para evitar la exposición al vapor.
9. Siempre use agua dulce y fresca en el aparato. El agua caliente u otros líquidos, a excepción de los enumerados en la sección de limpieza, pueden ocasionar daños al electrodoméstico.



NOTAS SOBRE EL ENCHUFE

Este aparato tiene un enchufe polarizado (una clavija es más ancha que la otra). Para reducir el riesgo de descarga eléctrica, este enchufe debe colocarse en un tomacorriente polarizado en una sola dirección. Si no entra completamente, dé vuelta el enchufe. Si aun así no encaja, llame a un electricista calificado. No modifique el enchufe de ninguna manera.

NOTAS SOBRE EL CABLE

Se debe usar el cable de alimentación corto (o cable de alimentación separable) para reducir el riesgo de enredarse o tropezarse con un cable más largo. No utilice un cable de extensión con este producto. Siempre enchufe el aparato directamente en un enchufe/receptáculo de pared.

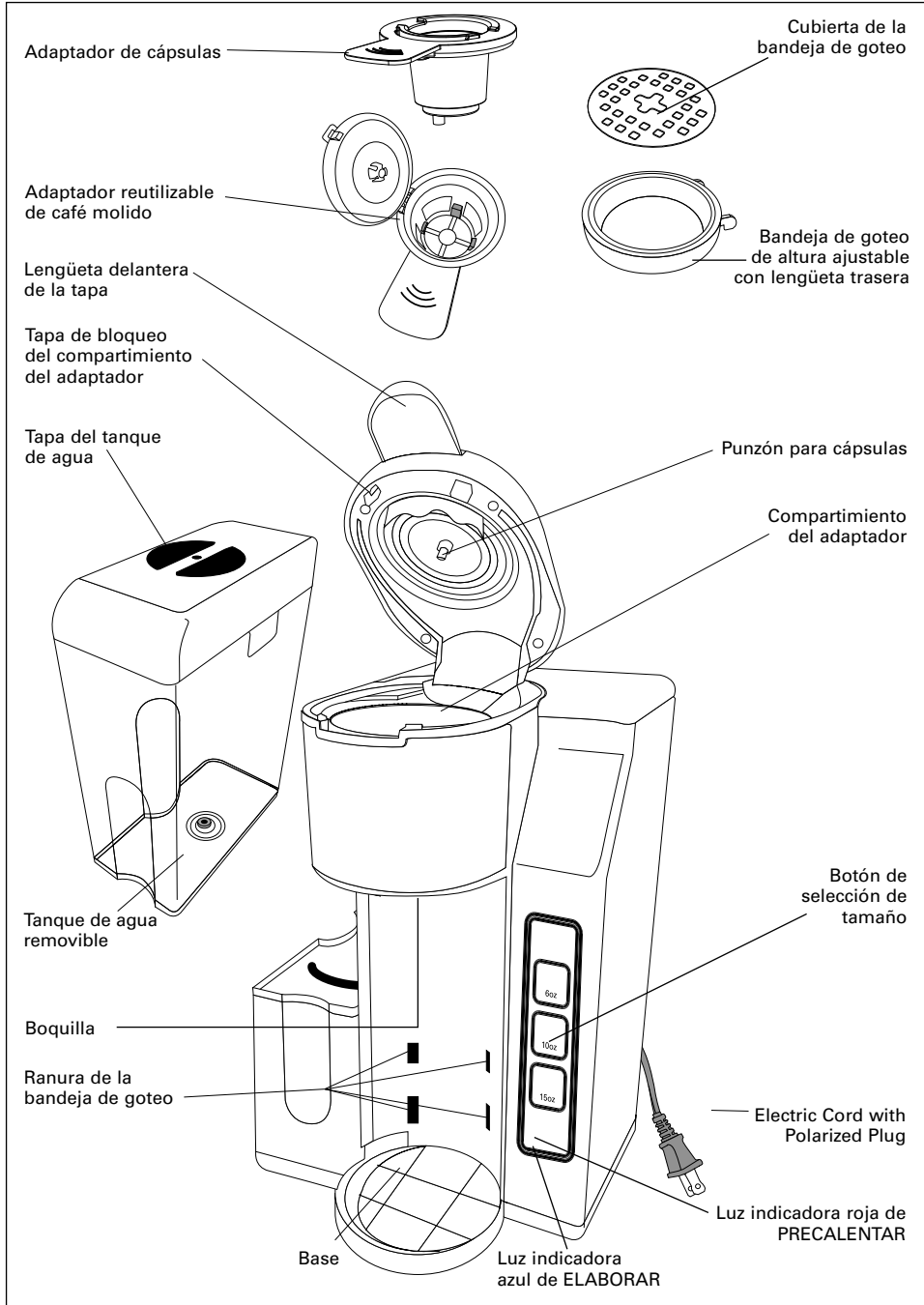
CORRIENTE ELÉCTRICA

Si se recarga el circuito eléctrico con otros aparatos, es posible que este aparato no funcione correctamente. Se debe utilizar en un circuito eléctrico separado de los otros aparatos.



Descripción de la cafetera de monodosis

El producto puede diferir levemente de las ilustraciones.



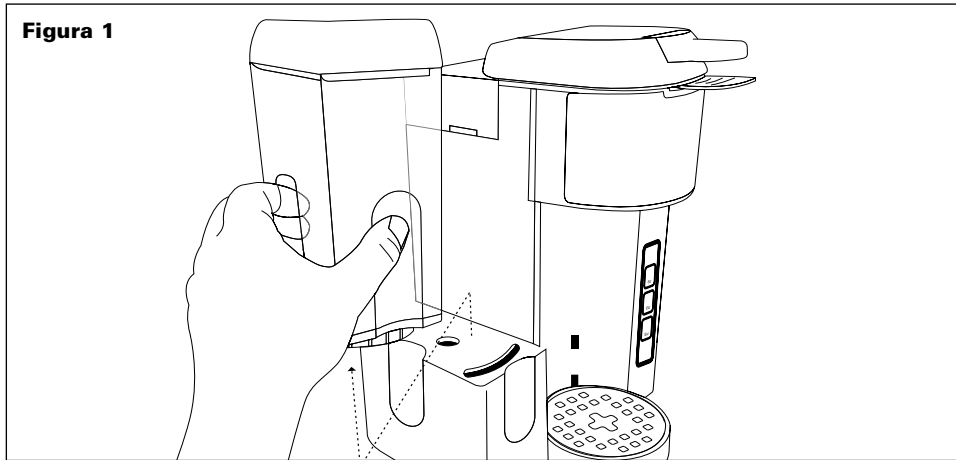
Introducción

- Esta cafetera de monodosis emplea un sistema presurizado para elaborar una bebida caliente individual perfecta.
- En la bandeja de goteo ajustable, se pueden colocar tazas, vasos, tazas de viaje altas o cubiletes de cualquier tamaño.
- Use el adaptador de café molido (incluido) para crear mezclas especiales de su café preferido. Para personalizar su café aún más, agregue una pizca de su especia favorita, como canela, cáscara de naranja, cardamomo o vaina de vainilla, entre otras.
- El adaptador reutilizable de café molido es una opción ecológica que también le permitirá ahorrar dinero.

Antes de utilizar por primera vez

PRECAUCIÓN: Para protegerse contra una descarga eléctrica, no sumerja la cafetera ni permita que el cable eléctrico entre en contacto con agua u otros líquidos.

1. Quite todos los materiales de empaque y las etiquetas del interior y exterior de la cafetera. Coloque la unidad sobre una superficie plana y limpia. Asegúrese de sacar los adaptadores del envase interior.
2. Antes de usar, limpie minuciosamente ambos adaptadores con agua tibia y jabón.
3. Para limpiar el interior de la unidad, se recomienda preparar un tanque lleno de agua, lo que corresponde a elaborar 3 a 4 tazas grandes solo con agua.
4. Agarra el tanque de agua removible por las ranuras. Levantarlo hacia arriba y quitarlo de la base de la unidad. (Ver Figura 1)



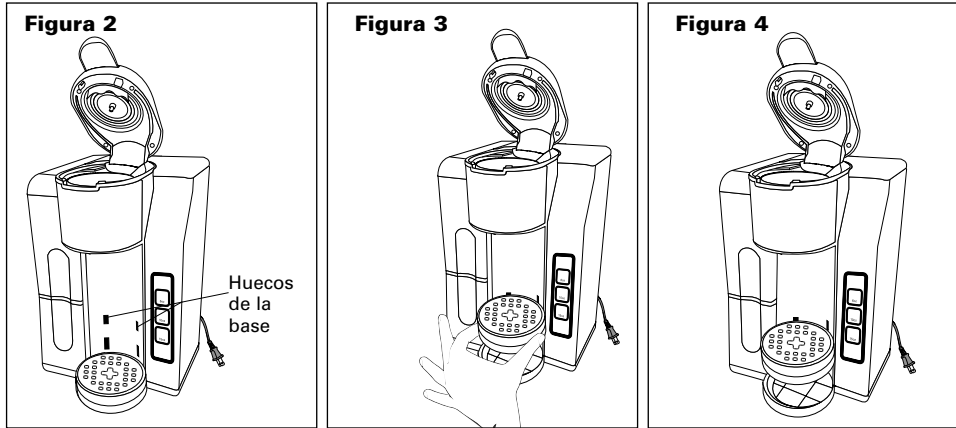
5. Retire la tapa y llenar el tanque de agua hasta la línea indicadora MAX (máximo) con agua fría.
NOTA: NO EXCEDA la línea de llenado MÁX (máximo) y asegúrese de que el nivel de agua este encima de la línea de llenado MIN (mínimo).
6. Tape el tanque de agua y colóquelo en su lugar. Coloque firmemente hacia abajo para asegurarse de que no se mueva
7. Seleccione la altura deseada para la bandeja de goteo, dependiendo del tamaño de la taza, el vaso o el cubilete que utilice.
8. Coloque la taza vacía, o el vaso en posición sobre la cubierta de la bandeja de goteo.
NOTA: No añada ningún adaptador para esta limpieza inicial.
9. Para seleccionar el tamaño de café (6 oz, 10 oz, o 15 onzas), presione el botón Size (Tamaño) hasta que la luz indicadora ilumine el tamaño deseado.
10. Presione el botón Ground Coffee (café molido) o Capsules (cápsulas).
11. La luz indicadora PREHEAT (PRECALENTAR) comenzará a parpadear a medida que la cafetera comienza a calentar el agua.
12. Cuando el agua haya alcanzado la temperatura óptima, la luz PREHEAT (PRECALENTAR) se apagará y la luz azul BREW (ELABORAR) se encenderá. El agua comenzará a fluir por la boquilla. Cuando el ciclo finalice, la cafetera y todas las luces indicadoras se apagarán automáticamente.
IMPORTANTE: Repita este proceso dos veces para limpiar la máquina minuciosamente antes de usarla por primera vez.
13. Desenchufe la cafetera cuando no la use.

Instrucciones de elaboración

La altura de la bandeja de goteo se puede ajustar para poder colocarle desde tazas o vasos bajos hasta tazas de viaje altas o cubiletes. En el caso de las tazas de viaje altas y los cubiletes, procure que la bandeja de goteo y la cubierta estén colocadas en la posición más baja (vea la figura 2). Cuando elabore el café en una taza más pequeña, eleve la bandeja de goteo hasta el nivel superior para evitar salpicaduras (vea la figura 4).

Ajuste de la bandeja de goteo

1. Tome la bandeja de goteo y la cubierta de los huecos de la base (vea la figura 2).
2. Mientras sostiene ambas piezas, inclínelas levemente hacia arriba y deslícelas para extraerlas de la unidad (vea la figura 3).
3. Usando la lengüeta que está en la parte trasera de la bandeja de goteo como guía, incline nuevamente ambas piezas hacia arriba y deslice las lengüetas dentro de las ranuras superiores del cuerpo de la cafetera (vea la figura 4). Presione la bandeja de goteo con la mano para garantizar que esté firme y correctamente sujeta antes de colocarle la taza o el vaso en la parte superior.



Configuración de la cafetera de monodosis con el adaptador de cápsulas

ADVERTENCIA: Antes de la elaboración, se recomienda llenar el tanque de agua al menos hasta la línea indicadora MIN (mínimo). Para evitar ocasionar daños a la cafetera, nunca permita que esta funcione si el tanque de agua está vacío

1. Agarra el tanque de agua removible por las ranuras. Levantarlo hacia arriba y quitarlo de la base de la unidad. (Ver Figura 1).
2. Retire la tapa y llenar el tanque de agua hasta la línea indicadora MAX (máximo) con agua fría.
NOTA: NO EXCEDA la línea de llenado MÁX (máximo) y asegúrese de que el nivel de agua este encima de la línea de llenado MIN (mínimo).
IMPORTANTE: Para lograr un sabor óptimo, utilice agua destilada.
3. Tape el tanque de agua y colóquelo en su lugar. Coloque firmemente hacia abajo para asegurarse de que no se mueva
4. Seleccione la altura deseada para la bandeja de goteo, dependiendo del tamaño de la taza, el vaso o el cubilete que utilice.
5. Coloque la taza vacía, o el vaso en posición sobre la cubierta de la bandeja de goteo.
6. Tire la lengüeta delantera del compartimiento del adaptador para destrabar y levantar la tapa.
7. Elija el adaptador de cápsulas. Agregue la cápsula de su preferencia en el adaptador de cápsulas. Presione firmemente la cápsula hasta que sea colocada en el adaptador. Oirá un clic cuando la aguja penetra la cápsula.
8. Con el mango orientado hacia el frente, coloque el adaptador de cápsulas dentro del compartimiento del adaptador. Deslice el mango del adaptador dentro de las ranuras de la parte delantera de la cafetera.
9. Presione firmemente la tapa del compartimiento del adaptador. Oirá un clic cuando la tapa se trabe correctamente y la parte superior de la cápsula será perforada.
10. Enchufe la cafetera a un tomacorriente eléctrico de pared de 120 V de CA.
11. Para seleccionar el tamaño de café (6 oz, 10 oz, o 15 onzas), presione el botón Size (Tamaño) hasta que la luz indicadora ilumine el tamaño deseado.

12. Presione el botón Capsules (cápsulas) para iniciar el ciclo de elaboración.
13. La luz indicadora PREHEAT (PRECALENTAR) comenzará a parpadear a medida que la cafetera comienza a calentar el agua.
14. Cuando el agua haya alcanzado la temperatura óptima, la luz PREHEAT (PRECALENTAR) se apagará y la luz azul BREW (ELABORAR) se encenderá.
15. La bomba se activará y el café comenzará a fluir por la boquilla.
16. Para interrumpir el ciclo de elaboración en cualquier momento, presione el botón Capsules (cápsulas) Luego, desconecte el enchufe del tomacorriente de la pared.
17. Cuando el ciclo finalice, la cafetera y todas las luces indicadoras se apagará automáticamente.
18. Deje que la cafetera se enfríe antes de sacar la cápsula usada para descartarla.
19. Desenchufe la cafetera cuando no la use.

Configuración de la cafetera de monodosis con el adaptador de café molido

El adaptador de café molido le permite crear su propia mezcla preferida de café. Para personalizar sus mezclas, agregue una pizca de canela, cáscara de naranja, cardamomo o vaina de vainilla como aromatizante.

NOTA: Para obtener mejores resultados, use café molido medio, o cualquier otro ingrediente.

ADVERTENCIA: Antes de la elaboración, se recomienda llenar el tanque de agua al menos hasta la línea indicadora MIN (mínimo). Para evitar ocasionar daños a la cafetera, nunca permita que esta funcione si el tanque de agua está vacío

1. Agarra el tanque de agua removible por las ranuras. Levantarlo hacia arriba y quitarlo de la base de la unidad. (Ver Figura 6).
2. Retire la tapa y llenar el tanque de agua hasta la línea indicadora MAX (máximo) con agua fría
NOTA: NO EXCEDA la línea de llenado MÁX (máximo) y asegúrese de que el nivel de agua este encima de la línea de llenado MIN (mínimo).
- IMPORTANTE:** Para lograr un sabor óptimo, utilice agua destilada.
3. Tape el tanque de agua y colóquelo en su lugar. Coloque firmemente hacia abajo para asegurarse de que no se mueva
4. Seleccione la altura deseada para la bandeja de goteo, dependiendo del tamaño de la taza, el vaso o el cubilete que utilice.
5. Coloque la taza vacía, o el vaso en posición sobre la cubierta de la bandeja de goteo.
6. Tire la lengüeta delantera del compartimiento del adaptador para destrabar y levantar la tapa.
7. Elija el adaptador de café molido y llénelo con café de filtro o molido común. Se recomienda utilizar 1 cucharada rasa de café molido por cada taza de café deseada (1 taza = 5 oz de café) Para obtener un café más fuerte o más suave, regule la cantidad de café para que se adapte a su gusto. NO EXCEDA la línea de llenado MÁX.
8. Con el mango orientado hacia el frente, coloque el adaptador de café molido dentro del compartimiento del adaptador. Deslice el mango del adaptador dentro de las ranuras de la parte delantera de la cafetera (vea la figura 1).
9. Presione firmemente la tapa del compartimiento del adaptador. Oirá un clic cuando la tapa se trabe correctamente.
10. Enchufe la cafetera a un tomacorriente eléctrico de pared de 120 V de CA.
11. Para seleccionar el tamaño de café (6 oz, 10 oz, o 15 onzas), presione el botón Size (Tamaño) hasta que la luz indicadora ilumine el tamaño deseado.
12. Presione el botón Ground Coffee (café molido) para iniciar el ciclo de elaboración.
13. La luz indicadora PREHEAT (PRECALENTAR) comenzará a parpadear a medida que la cafetera comienza a calentar el agua.
14. Cuando el agua haya alcanzado la temperatura óptima, la luz PREHEAT (PRECALENTAR) se apagará y la luz azul BREW (ELABORAR) se encenderá.
15. La bomba se activará y el café comenzará a fluir por la boquilla.
16. Para interrumpir el ciclo de elaboración en cualquier momento, presione el botón Ground Coffee (café molido). Luego, desconecte el enchufe del tomacorriente de la pared.
17. Cuando el ciclo finalice, la cafetera y todas las luces indicadoras se apagará automáticamente.
18. Desenchufe la cafetera cuando no la use.



Configuración de la cafetera de monodosis para que hierva agua

Calentar agua corriente en su cafetera de monodosis es rápido y fácil. El agua se dispensa a la temperatura perfecta para preparar tazas individuales de bolsitas de té, sopas instantáneas, avenas de preparación rápida, chocolate caliente envasado, sidra de manzana caliente o cualquier cosa que requiera agua hirviendo.

ADVERTENCIA: Antes de la elaboración, se recomienda llenar el tanque de agua al menos hasta la línea indicadora MIN (mínimo). Para evitar ocasionar daños a la cafetera, nunca permita que esta funcione si el tanque de agua está vacío

IMPORTANTE: Para evitar la alteración de sabores al cambiar de bebidas, mientras la unidad está apagada, use una servilleta de papel húmeda para eliminar por completo cualquier residuo del compartimiento del adaptador.

1. Siga las instrucciones de elaboración detalladas descritas anteriormente.
2. Prepare su taza, vaso o cubilete, y colocar el contenido de su elección.
3. Seleccione cualquier adaptador. Con el mango hacia delante, coloque el adaptador de su elección en el compartimiento del adaptador. Deslizar el mango de adaptador en las ranuras en la parte delantera de la cafetera.
4. Siguiendo las instrucciones detalladas descritas anteriormente, ajuste la bandeja de goteo de modo que pueda colocarle la taza, el vaso o el cubilete.
5. Centre la taza debajo de la boquilla.
6. Seleccione el tamaño presionando el botón Size (Tamaño) hasta que la luz indicadora ilumine el tamaño deseado y presione el botón Capsules (cápsulas).
7. Una vez calentada y dispensada el agua, mezcle bien el contenido.

Configuración de la cafetera de una sola taza para bebidas con hielo

Usando una cápsula:

Siga las instrucciones en "CONFIGURACIÓN DE LA CAFETERA DE UNA SOLA TAZA USANDO UN ADAPTADOR DE CÁPSULA" con los siguientes ajustes:

1. Use una cápsula K-Cup® con un sabor más intenso.
2. Use una taza o cubilete alto (de aproximadamente 16 oz [500 cm³]) con cubos de hielo.

PRECAUCIÓN: No use con una taza o cubilete de vidrio, ya que el vidrio se puede quebrar o romper.

Usando café molido:

Siga las instrucciones en "CONFIGURACIÓN DE LA CAFETERA DE UNA SOLA TAZA USANDO UN ADAPTADOR DE CAFÉ MOLIDO".

1. Llene el adaptador reutilizable de café molido hasta la línea de llenado "MAX" (Máx.).
2. Use una taza o cubilete alto (de aproximadamente 6 oz [177 cm³]) con cubos de hielo.

PRECAUCIÓN: No use con una taza o cubilete de vidrio, ya que el vidrio se puede quebrar o romper.

Elaboración de tazas adicionales

1. Puede elaborar una taza tras otra de su bebida caliente preferida.

Instrucciones de mantenimiento para el usuario

Este aparato requiere de poco mantenimiento. No contiene piezas que el usuario pueda reparar. Cualquier servicio en el que la unidad deba desarmarse, con la excepción de la limpieza, debe realizarlo un técnico de reparación de aparatos eléctricos calificado.





Instrucciones de cuidado y limpieza

1. Procure siempre que la cafetera esté desenchufada y que la bandeja de goteo se haya enfriado antes de extraerla de la base.
2. Enjuague la bandeja de goteo y la cubierta, y vuelva a colocarlas en la base de la cafetera.
3. Presione la lengüeta delantera del compartimiento del adaptador para destrabar y levantar la tapa.
4. Extraiga la cápsula del adaptador de cápsulas y deséchela. Enjuague el adaptador de cápsulas con agua tibia antes de cada uso.
5. Cuando use el adaptador reutilizable de café molido, deseche el café usado. Lave el adaptador con agua tibia y jabón. Para quitar el café enjuáguelo bien.

NOTA: Los adaptadores de cápsulas y de café molido son aptos para el estante superior del lavavajillas.

6. Use una servilleta de papel o una esponja húmedas para eliminar por completo cualquier residuo del compartimiento del adaptador.
7. Limpie el exterior de la cafetera con un paño húmedo para eliminar las manchas superficiales. Para las manchas difíciles, use una almohadilla de nilón o plástico con un limpiador no abrasivo. No use esponjas metálicas abrasivas ni limpiadores abrasivos.

Instrucciones para la desincrustación

Se recomienda hacer una limpieza especial a su cafetera al menos dos veces al año, de acuerdo con la frecuencia de uso y la calidad de agua que se usa en la unidad. Si el agua de su zona es especialmente dura, debe realizar el siguiente procedimiento de limpieza con más frecuencia, ya que los minerales presentes en el agua pueden aplacar el sabor del café y, probablemente, extender el tiempo de elaboración

1. Llene el tanque de agua con 1 medida de vinagre blanco (89 ml/3 onzas) por 3 medidas de agua fría (266 ml/9 onzas).
2. No agregue ningún adaptador.
3. Coloque una taza vacía, o el vaso en posición sobre la cubierta de la bandeja de goteo.
4. Seleccione el tamaño presionando el botón Size (Tamaño) hasta que la luz indicadora ilumine el tamaño deseado
5. Presione el botón Ground Coffee (café molido) o Capsules (cápsulas).
6. La luz indicadora PREHEAT (PRECALENTAR) comenzará a parpadear a medida que la cafetera comienza a calentar la solución de limpieza.
7. La luz indicadora azul BREW (ELABORAR) se encenderá a medida que la solución de limpieza comienza a fluir por la boquilla. Cuando el ciclo finalice, la cafetera y todas las luces indicadoras se apagarán automáticamente.
8. Repita las etapas 3 a 5 hasta que el tanque de agua esté vacío.
9. Desenchufe la cafetera cuando no la use.
10. Seque las piezas completamente. Limpie el exterior de la cafetera con un paño seco.

Instrucciones de almacenamiento

1. Desenchufe la unidad y deje que se enfríe.
2. Nunca ate el cable de forma ceñida alrededor del aparato. No ejerza fuerza sobre el cable cuando lo introduce en el aparato, ya que esto podría ocasionar que el cable se desgaste o rompa.
3. Guarde un adaptador limpio en el compartimiento del adaptador de la cafetera.
4. Guarde el otro adaptador con la unidad.
5. Almacene la cafetera en un lugar fresco y seco.
6. Nunca almacene la unidad si sigue estando enchufada





Garantía limitada de DOS AÑOS

Mediante la presente, SENSIO Inc. garantiza que, durante el plazo de **DOS AÑOS** a partir de la fecha de compra, este producto no presentará defectos mecánicos en el material ni en la mano de obra, y durante 90 días, no los presentará en las piezas no mecánicas. A su entera discreción, SENSIO Inc. reparará o reemplazará el producto que resulte defectuoso, o emitirá un reembolso por el producto durante el plazo de garantía.

Esta garantía es válida únicamente para el comprador minorista original a partir de la fecha de compra minorista inicial y no es transferible. Conserve el recibo de compra original, ya que se exige una prueba de compra para obtener la validación de la garantía. Las tiendas minoristas no tienen derecho a alterar, modificar ni corregir de ninguna manera los términos y condiciones de la garantía.

EXCLUSIONES:

La garantía no cubre el desgaste normal de las piezas ni el daño ocasionado por cualquiera de las siguientes causas: uso negligente del producto, uso de un voltaje o corriente incorrectos, mantenimiento de rutina inadecuado, uso contrario al de las instrucciones de funcionamiento, desarmado, reparación o alteración a cargo de personas que no sean miembros del personal calificado de SENSIO Inc. Asimismo, la garantía no cubre actos de la naturaleza, como incendios, inundaciones, huracanes o tornados.

SENSIO Inc. no asumirá responsabilidad por daños incidentales o resultantes ocasionados por la violación de cualquier garantía expresa o implícita. Salvo en la medida en que lo prohíban las leyes aplicables, cualquier garantía implícita de comerciabilidad o aptitud para un propósito particular se limita temporalmente a la duración de la garantía. Algunos estados, provincias o jurisdicciones no permiten la exclusión ni la limitación de daños incidentales o resultantes, o limitaciones sobre la duración de una garantía implícita y, por lo tanto, es posible que las exclusiones o limitaciones mencionadas no le correspondan. La garantía cubre derechos legales específicos que pueden variar de un estado, una provincia o una jurisdicción a otros.

CÓMO OBTENER EL SERVICIO DE GARANTÍA:

Debe comunicarse con el Servicio de atención al cliente a nuestro número telefónico gratuito: 1-866-832-4843. Un representante del Servicio de atención al cliente intentará resolver los problemas referidos a la garantía por teléfono. Si este no puede resolver el problema, le proporcionarán un número de caso y le solicitarán que devuelva el producto a SENSIO Inc. Adhiera una etiqueta al producto que incluya: su nombre, dirección, número telefónico de contacto durante el día, número de caso y descripción del problema. Además, incluya una copia del recibo de compra original. Envuelva cuidadosamente el producto etiquetado con el recibo de compra, y envíelo (con el envío y el seguro prepagados) a la dirección de SENSIO Inc. SENSIO Inc. no asumirá obligación ni responsabilidad alguna por el producto devuelto que esté en el trayecto hacia el Centro de servicio al cliente de SENSIO Inc.









GRACIAS

por su compra

REGISTRARSE



para recibir anuncios especiales y recetas de moda!

¡CUÉNTENOS LO QUE PIENSA!



Reseñas, comentarios o hacernos alguna pregunta

VISITE: bellahousewares.com

#myBELLAlife



BellaLifestyle



BellaLife





BellaLife



BellaLifestyle



bellahousewares.com

For customer service questions or comments
Dudas o comentarios contactar el departamento de servicio al cliente
1-866-832-4843 / help@bellahousewares.com

Sensio Inc.
New York, NY 10016/USA

17244 R1