



5 QT  
**STIR STICK  
POPCORN MAKER**

Instruction Manual and Recipe Guide

---

**FABRICADOR DE PALOMITAS  
DE MAÍZ DE 5 CUARTOS**

Manual de instrucciones y guía de recetas

---

**WWW.BELLAHOUSEWARES.COM**

Register your product and get support • Registrar y obtener asistencia de su producto



# THANK YOU

## for your purchase

**REGISTER  
AND SIGN UP**



for special announcements and trendy recipes!

**TELL US WHAT  
YOU THINK!**



Rate, review or ask us a question.

**GO TO: [bellahousewares.com](http://bellahousewares.com)**

#myBELLAlife



BellaLifestyle



BellaLife

## Table of Contents

Important Safeguards.....	4
Additional Important Safeguards.....	5
Notes on the Cord.....	5
Notes on the Plug.....	5
Plasticizer Warning.....	5
Electric Power.....	5
Getting to Know Stir Stick Popcorn Maker.....	6
Before Using for the First Time.....	6
Operating Instructions.....	7
Helpful Hints.....	8
Types of Oil.....	8
To Pop Additional Batches of Popcorn.....	8
User Maintenance Instructions.....	8
Care & Cleaning Instructions.....	8
Storing Instructions.....	8
Warranty.....	9

## Índice

Medidas de seguridad importantes.....	10
Otras medidas de seguridad importantes.....	11
Notas sobre el cable.....	11
Notas sobre el enchufe.....	11
Advertencia sobre el plastificante.....	12
Energía eléctrica.....	12
Conozca su máquina para hacer palomitas de maíz.....	12
Antes de utilizar por primera vez.....	13
Instrucciones de funcionamiento.....	13-14
Tipos de aceite.....	14
Para preparar tandas adicionales de palomitas de maíz.....	14
Instrucciones de mantenimiento para el usuario.....	14
Instrucciones de limpieza y cuidado.....	15
Instrucciones de almacenamiento.....	15
Garantía.....	16

# IMPORTANT SAFEGUARDS

When using electrical appliances basic safety precautions should always be followed, including the following:

1. **READ ALL INSTRUCTIONS.**
2. To protect against risk of electrical shock, do not put cord, plugs, or appliance in water or other liquid. Do not let appliance get wet (water splashes, etc.) and do not use it with wet hands.
3. This appliance is not intended for use by persons (including children) with reduced physical, sensory or mental capabilities, or lack of experience and knowledge, unless they have been given supervision or instruction concerning use of the appliances by a person responsible for their safety.
4. Close supervision is necessary when any appliance is used by or near children. This appliance is not a toy. Children should be supervised to ensure that they do not play with the appliance.
5. Unplug from outlet when not in use, before adding on or removing attachments or accessories, and before cleaning. To unplug, grasp the plug and pull from the outlet. Never pull from the power cord.
6. Do not operate any appliance if the cord is damaged. Do not use this appliance if the unit malfunctions, if it is dropped or has been damaged in any manner. In order to avoid the risk of an electric shock, never try to repair the appliance yourself. Bring it to a qualified technician for inspection, repair or electrical or mechanical adjustment.  
An incorrect reassembly could risk electric shock when the popcorn maker is used.
7. The use of accessory attachments not recommended by the appliance manufacturer may cause injuries.
8. Do not use outdoors or for commercial purposes.
9. Do not touch hot surfaces. Use handles. Always wear oven mitts or use potholders to handle hot appliances.
10. Never leave this appliance unattended when it is plugged into an outlet.
11. Always add raw kernels to the fully assembled popcorn maker before turning ON.
12. Never add more than one measuring cup/butter tray of kernels (3 ounces / 85 grams / 1/2 cup) into the popping chamber at one time. **DO NOT OVERFILL.**
13. To turn the Stir Stick Popcorn Maker OFF, press the ON/OFF switch to OFF. Then remove plug from wall outlet.
14. Do not use appliance for other than intended use.
15. Extreme caution must be used when removing popped popcorn.
16. Do not leave this appliance unattended during use.
17. This machine will not shut off automatically.

## SAVE THESE INSTRUCTIONS

# ADDITIONAL IMPORTANT SAFEGUARDS

**ALL USERS OF THIS APPLIANCE MUST READ AND UNDERSTAND THE OWNER'S MANUAL BEFORE OPERATING OR CLEANING THIS APPLIANCE.**

**CAUTION HOT SURFACES:** This appliance generates heat and escaping steam during use. Proper precautions must be taken to prevent the risk of burns, fires or other injury to persons or damage to property.

**CAUTION:** This Stir Stick Popcorn Maker is hot during operation and retains heat for some time after turning OFF. Always use oven mitts when handling hot base and allow to cool before cleaning. Do not place anything on top of the appliance while it is operating or while it is hot.

1. All users of this appliance must read and understand this instruction manual before operating or cleaning this appliance.
2. The cord to this appliance should be plugged into a 120 V AC electrical outlet only.
3. If this appliance begins to malfunction during use, immediately press the ON/OFF switch to OFF and unplug the cord. Do not use or attempt to repair the malfunctioning appliance.
4. **CAUTION:** Never place the Stir Stick Popcorn Maker's clear lid, plastic lid cap, or rotating rod in a microwave oven.
5. **Allow unit to cool completely before popping a second batch.** 6. If this appliance falls or accidentally becomes immersed in water, unplug it immediately.
7. Do not reach into the water!
8. Do not use this appliance after it has fallen into or becomes immersed in water. To reduce the risk of injury to persons or property, never use this appliance in an unstable position.
9. Do not use this appliance for other than its intended use.

## FOR HOUSEHOLD USE ONLY

**NOTES ON THE CORD**The provided short power-supply cord (or detachable power-supply cord) should be used to reduce the risk resulting from becoming entangled in or tripping over a longer cord. Do not use an extension cord with this product. Always plug directly into a wall outlet/receptacle.

**NOTES ON THE PLUG**This appliance has a polarized plug (one blade is wider than the other). To reduce the risk of electric shock, this plug will fit in a polarized outlet only one way. If the plug does not fit fully into the outlet, reverse the plug. If it still does not fit, contact a qualified electrician. Do not modify the plug in any way.

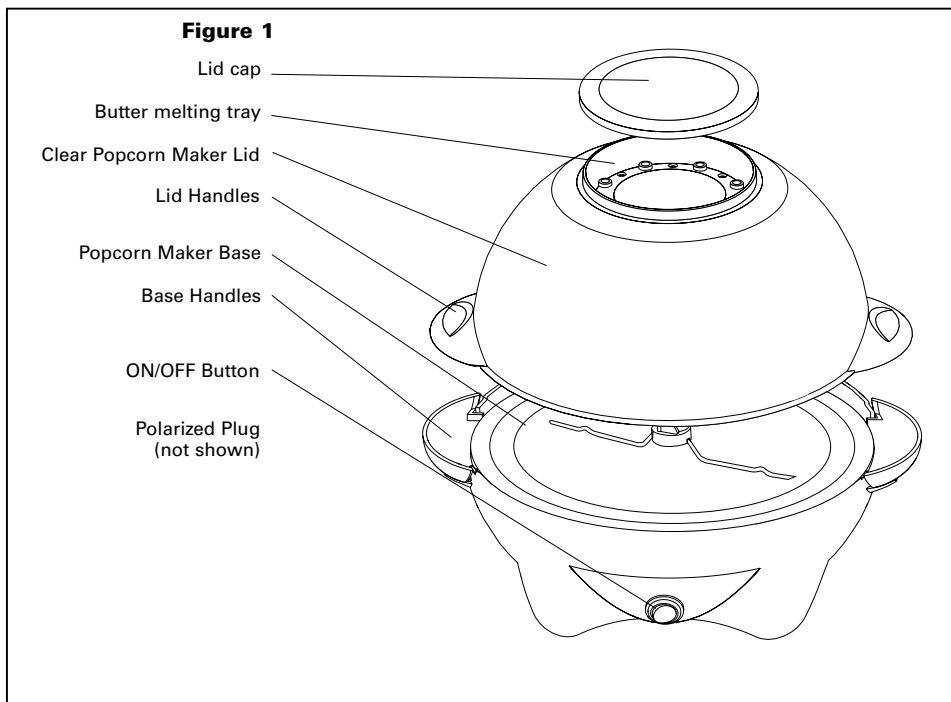
### PLASTICIZER WARNING

**CAUTION:** To prevent Plasticizers from migrating to the finish of the counter top or table top or other furniture, place NON-PLASTIC coasters or place mats between the appliance and the finish of the counter top or table top. Failure to do so may cause the finish to darken; permanent blemishes may occur or stains can appear.

**ELECTRIC POWER**If the electrical circuit is overloaded with other appliances, your appliance may not operate properly. It should be operated on a separate electrical circuit from other appliances.

## Getting to Know Your Stir Stick Popcorn Maker

Product may vary slightly from illustration



**Do not overfill the machine with popcorn.**

Power rating 800W, Voltage : AC 120V/60Hz

### Before Using for the First Time

DO NOT USE if the unit is cracked or broken.

“ON/OFF” switch must always be “OFF” ( O ) when the heating plate is removed.

1. Carefully unpack the Stir Stick Popcorn Maker and remove all packaging materials.
2. Wash lid cap and clear Stir Stick Popcorn Maker lid in warm, soapy water; rinse and dry thoroughly.
3. Place the base on a clean, flat, heat-resistant working surface.

**CAUTION:** During popping, the base gets hot. Make sure the surface is able to withstand heat or use a trivet to protect the working surface.

4. Clean the rod with a slightly soapy sponge or cloth. Wipe with a clean, damp cloth and dry thoroughly.
5. Clean the base’s non-stick popping plate with a soapy sponge or cloth. Wipe with a clean, damp cloth and dry thoroughly.
6. The Stir Stick Popcorn Maker is now ready for use.

**NOTE:** When your popcorn maker is heated for the first time, it may emit slight smoke or odor. This is normal and should disappear after 1 or 2 uses. This does not affect the safety of the appliance. However, if it emits smoke or odor, it may affect the flavor of the first batch of popcorn, and it is recommended that these be discarded.

## Operating Instructions

Enjoy up to 20 cups (5 quarts) of fresh popped popcorn.

1. Place the appliance on a clean, flat surface. Make sure the unit is switched OFF before use.
2. Add approximately 2 tablespoons (30 ml) of cooking oil to the popping plate (see helpful hints section). We recommend using vegetable or canola oil.
3. Evenly distribute one kernel measuring spoonful (2/3 cup / 5 ounces / 141 grams) of kernels to the popping plate. **NOTE:** Do not exceed 2/3 cup / 5 ounces / 141 grams of kernels in a single run.
4. Replace the clear Stir Stick Popcorn Maker lid on the popcorn popper base. Align the lid cover handles with the base handles.  
**IMPORTANT:** The lid cap must be removed from the clear lid during popping. The steam holes must be exposed to release excess moisture and to ensure that your popcorn stays crispy.

5. Plug cord into a 120V AC electrical outlet.
6. Set the power switch to the ON position. The rotating rod will begin to spin.

**NOTE:** Do not operate unit without kernels to avoid over-heating of cover bowl

7. If buttered popcorn is desired, please softened butter onto the butter melted (for suggested quantities, see helpful hints section below). **NOTE:** for best results, cut the butter into thin slices and position them to the center of the steam holes in the butter melting area (see Figure 1)

8. Depending on the amount of raw popcorn being popped, the popping cycle should be completed in 5 to 6 minutes.  
**CAUTION:** Do not shake the Stir Stick Popcorn Maker during the popping cycle. Do not remove the clear lid after the unit is turned ON, especially after the first corn has popped.

**CAUTION:** During popping, the base gets hot. Make sure the surface is able to withstand heat or use a trivet to protect the working surface.

9. After popping has ceased, set the ON/OFF switch to OFF. Unplug the electrical cord from the wall outlet.
10. Snap the lid cap securely onto the clear lid. The lid cap must be securely fitted onto the clear lid before serving or residual oil and / or butter may leak through the steam holes when it is flipped.
11. Wearing protective oven mitts, grasp both sets of handles (lid and base) firmly and flip the Stir Stick Popcorn Maker upside down.

(See Figure 2)

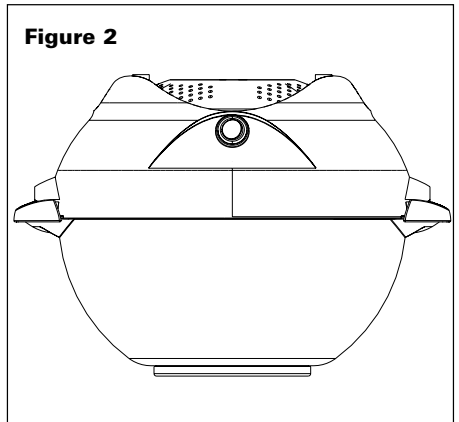
**IMPORTANT:** to avoid any burning, flip the bowl as soon as the popping is complete.

12. Serve popcorn from the clear lid or empty into a large serving bowl.

13. Sprinkle fresh popcorn with salt or other seasonings, if desired.

**CAUTION:** After popping, the base, popping plate and lid are extremely hot! Grasp handles only, do not put fingers near the plate. Use caution to avoid burns. To prevent personal injury, always flip the Stir Stick Popcorn Maker away from you to avoid escaping steam.

**CAUTION:** Extreme caution must be used when emptying popcorn. Always place the unit on a countertop to prevent burns from residual oil or water running out.



## Helpful Hints

### Serving size – 3 cups / 24 grams / 0.75 quarts of popped popcorn

- Volume of popped popcorn will vary depending on the type, quality and freshness of the corn. The chart above is approximating the volumes required to pop fresh, gourmet, yellow popcorn. White popcorn or less fresh popcorn may generate a smaller quantity of popped popcorn.

Kernels	Vegetable Oil	Popped Popcorn (Approximately)	Butter for Melter (optional)
1 ounce or 1/8 cup (28.4g)	1 teaspoon (5ml)	4 cups popped (1qt)	1/2 tablespoon
2 ounces or 1/4 cup (56.7g)	1.5 teaspoons (7.5ml)	8 cups popped (2qt)	1 tablespoon
3 ounces or 1/3 cup (85.1g)	2 teaspoons (10ml)	12 cups popped (3qt)	1.5 tablespoons
4 ounces or 1/2 cup (113.4g)	1 tablespoon (15ml)	16 cups popped (4qt)	2 tablespoons
5 ounces or 2/3 cup (141.8g)	1.5 tablespoon (22ml)	20 cups popped (5qt)	2.5 tablespoons

## Types of Oil

Any kind of vegetable oil is suitable for popping (corn, soybean, peanut, canola). Butter, margarine, shortening, lard, and extra virgin olive oil should not be used as the burn easily.

## To Pop Additional Batches of Popcorn

- Empty the fresh popped corn into a different serving bowl so you can reuse the lid to pop more kernels.
- Allow 10 minutes between popping cycles to allow the Stir Stick Popcorn Maker to cool completely.
- Following all of the Operating Instructions.

## User Maintenance Instructions

This appliance requires little maintenance. It contains no user serviceable parts.

Do not try to repair it yourself. Any servicing requiring disassembly other than cleaning must be performed by a qualified appliance repair technician.

## Care & Cleaning Instructions

**NOTE:** The Popcorn Maker should be cleaned after every use.

- Unplug Stir Stick Popcorn Maker and allow to cool before cleaning.
- Wash the clear Stir Stick Popcorn Maker lid and plastic lid cap in warm, soapy water. Use a soft cloth or kitchen sponge. Rinse and dry thoroughly.  
**WARNING:** To prevent scratching, never use abrasive scouring pads, steel wool, or scouring powders.
- Wash the rotating rod and securing knob with warm, soapy water using a soft cloth or sponge. Rinse thoroughly and dry.
- Clean the base's non-stick popping chamber with a slightly soapy cloth, sponge or nylon-scouring pad. Wipe with a clean damp cloth and dry thoroughly.
- After consistent use, the non-stick finish may discolor. To remove discoloration, use a soft cloth saturated with lemon juice or vinegar and apply to the finish. Then wipe the finish with a damp cloth and dry.

**CAUTION:** Never place the Stir Stick Popcorn Maker's clear lid, plastic lid cap, or rotating rod in the dishwasher.

**Never immerse the Stir Stick Popcorn Maker base, cord or plug in water or other liquid.**

## Storing Instructions

- Unplug unit and allow to cool.
- Fix the lid cap to the top of the lid.
- Nest the clear Stir Stick Popcorn Maker base into the clear lid.
- Store the Stir Stick Popcorn Maker in its box or in a clean, dry place.
- Any other servicing should be performed by an authorized service representative.





## Limited ONE-YEAR Warranty

SENSIO Inc. hereby warrants that for a period of **ONE YEAR** from the date of purchase, this product will be free from mechanical defects in material and workmanship, and for 90 days in respect to non-mechanical parts. At its sole discretion, SENSIO Inc. will either repair or replace the product found to be defective, or issue a refund on the product during the warranty period.

The warranty is only valid for the original retail purchaser from the date of initial retail purchase and is not transferable. Keep the original sales receipt, as proof of purchase is required to obtain warranty validation. Retail stores selling this product do not have the right to alter, modify, or in any way revise the terms and conditions of the warranty.

### **EXCLUSIONS:**

The warranty does not cover normal wear of parts or damage resulting from any of the following: negligent use of the product, use of improper voltage or current, improper routine maintenance, use contrary to the operating instructions, disassembly, repair, or alteration by anyone other than qualified SENSIO Inc. personnel. Also, the warranty does not cover Acts of God such as fire, floods, hurricanes, or tornadoes.

SENSIO Inc. shall not be liable for any incidental or consequential damages caused by the breach of any express or implied warranty. Apart from the extent prohibited by applicable law, any implied warranty of merchantability or fitness for a particular purpose is limited in time to the duration of the warranty. Some states, provinces or jurisdictions do not allow the exclusion or limitation of incidental or consequential damages, or limitations on how long an implied warranty lasts, and therefore, the above exclusions or limitations may not apply to you. The warranty covers specific legal rights which may vary by state, province and/or jurisdiction.

### **HOW TO OBTAIN WARRANTY SERVICE:**

You must contact Customer Service at our toll-free number: 1-866-832-4843. A Customer Service Representative will attempt to resolve warranty issues over the phone. If the Customer Service Representative is unable to resolve the problem, you will be provided with a case number and asked to return the product to SENSIO Inc. Attach a tag to the product that includes: your name, address, daytime contact telephone number, case number, and description of the problem. Also, include a copy of the original sales receipt. Carefully package the tagged product with the sales receipt, and send it (with shipping and insurance prepaid) to SENSIO Inc.'s address. SENSIO Inc. shall bear no responsibility or liability for the returned product while in transit to SENSIO Inc.'s Customer Service Center.

# INSTRUCCIONES IMPORTANTES DE SEGURIDAD

Al utilizar electrodomésticos, siempre deben cumplirse las precauciones de seguridad básicas, incluidas las siguientes:

**1. LEA TODAS LAS INSTRUCCIONES.**

2. No toque las superficies calientes. Utilice los mangos o las perillas. Siempre utilice guantes o agarradores para recipientes calientes.
3. Para protegerse del riesgo de descarga eléctrica, no sumerja el cable, el enchufe ni la unidad en agua ni en ningún otro líquido.
4. Este electrodoméstico no está destinado al uso de personas (niños incluidos) con capacidades físicas, sensoriales o mentales reducidas, o con carencia de experiencia y de conocimiento, al menos que una persona responsable de su seguridad los haya supervisados o dado instrucción referente al uso del electrodoméstico.
5. Los niños deben de ser supervisados con la finalidad de asegurarse de que ellos no jueguen con el electrodoméstico.
6. Desconecte el electrodoméstico del tomacorriente cuando no esté en uso antes de limpiarlo. Dejar que se enfríe antes de ponerle o retirarle alguna pieza.
7. No utilice ningún electrodoméstico que tenga un cable o enchufe dañado, que muestre un funcionamiento defectuoso o que se haya dañado de cualquier manera. Lleve el electrodoméstico al técnico autorizado más cercano para que lo examine, lo repare, o le haga ajustes eléctricos o mecánicos. Para obtener información sobre el servicio, consulte la página de la garantía.
8. El uso de accesorios no recomendados por el fabricante del electrodoméstico puede provocar lesiones.
9. No utilice el electrodoméstico en exteriores o para fines comerciales.
10. No permita que el cable cuelgue del borde de una mesa o de una encimera ni que entre en contacto con superficies calientes.
11. No lo coloque sobre un quemador a gas o eléctrico, o cerca de él, ni dentro de un horno caliente.
12. Nunca descuide el fabricante de palomitas de maíz mientras éste se encuentre enchufado al tomacorriente de pared.
13. Luego de presionar el interruptor ON/OFF (Encendido/Apagado), el palomitero se calentará de inmediato. Para evitar el recalentamiento, agregue aceite y granos de maíz crudos antes de encenderlo.
14. Para apagar el fabricante de palomitas de maíz, presione el interruptor ON/OFF (Encendido/Apagado) para apagarlo. Luego desconecte el enchufe del tomacorriente de pared.
15. No utilice el electrodoméstico para un uso que no sea aquel para el cual fue diseñado.
16. Se debe ser sumamente cuidadoso al mover un recipiente o un electrodoméstico que contenga aceite caliente u otros líquidos calientes.
17. Nunca descuide el electrodoméstico mientras se encuentre en uso.
18. Este fabricante de las palomitas no se apaga automáticamente.

# OTRAS MEDIDAS IMPORTANTES DE SEGURIDAD

**PRECAUCIÓN SUPERFICIES CALIENTES:** Este electrodoméstico genera calor y libera vapor mientras está en uso. Se deben de tomar las medidas adecuadas para evitar el riesgo de quemaduras, incendios u otro tipo de lesiones personales o daños a la propiedad.

**PRECAUCIÓN:** Este fabricante de palomitas de maíz se pone caliente durante su funcionamiento y retiene calor por algún tiempo después de que haya sido apagado. Utilice siempre guantes para horno al momento de agarrar la base caliente y permita que ésta se enfríe antes de limpiarla. No coloque nada sobre el electrodoméstico mientras esté en funcionamiento o mientras esté caliente.

1. Todos los usuarios de este electrodoméstico deben leer y comprender este manual de instrucciones antes de ponerlo en funcionamiento o de limpiarlo.
2. El cable debe enchufarse únicamente en un tomacorriente de pared de CA de 120 V.
3. Si este electrodoméstico comienza a funcionar mal mientras está en uso, presione el interruptor ON/OFF (Encendido/Apagado) para apagarlo y retire el enchufe del tomacorriente de pared. ¡No utilice ni intente reparar un electrodoméstico que funcione mal!
4. **PRECAUCIÓN:** Nunca coloque la tapa transparente del fabricante de palomitas de maíz, la cubierta plástica de la tapa o la barra rotatoria dentro del horno de microondas.
5. Deje que la unidad se enfríe por completo antes de hacer estallar un segundo lote.

## ¡CONSERVE ESTAS INSTRUCCIONES! PARA USO DOMÉSTICO ÚNICAMENTE

### NOTAS SOBRE EL ENCHUFE

El producto tiene un enchufe polarizado (una pata es más ancha que la otra). Para reducir el riesgo de electrocución, este enchufe viene para entrar en tomas de corriente polarizadas de una sola forma. Si el enchufe no entra completamente en la toma, invierta la posición del enchufe. Si sigue sin entrar, contacte un electricista calificado. No intente modificar el enchufe de ninguna manera.

### NOTAS SOBRE EL CABLE

El cable de alimentación corto (o el cable de alimentación desmontable) suministrado se debe utilizar para reducir los riesgos de enredarse o tropezar con un cable más largo. No utilice un cable de extensión con este producto. Siempre enchúfelo directamente a u tomacorriente de pared.

## ADVERTENCIA SOBRE EL PLASTIFICANTE

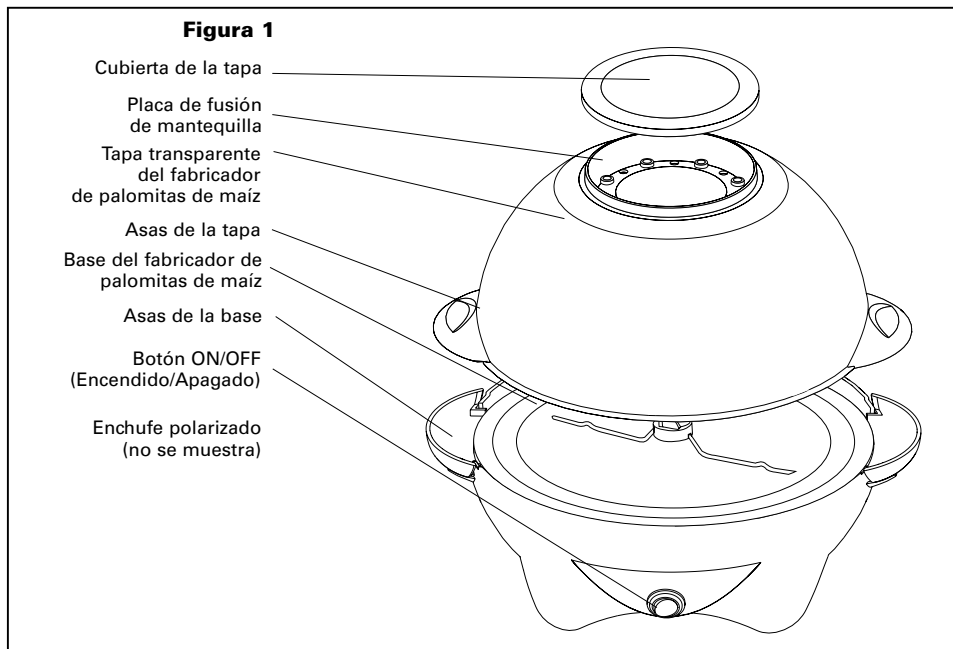
**PRECAUCIÓN:** Para evitar que el plastificante se transfiera sobre el acabado de la encimera, la superficie de trabajo u otro mueble, coloque posavasos o manteles individuales **NO PLÁSTICOS** entre el electrodoméstico y el acabado de la encimera o la superficie. De lo contrario, el acabado puede oscurecerse o pueden aparecer manchas o marcas permanentes.

## ENERGÍA ELÉCTRICA

Si el circuito eléctrico está sobrecargado con otros artefactos, su electrodoméstico puede dejar de funcionar correctamente. El electrodoméstico debe funcionar en un circuito eléctrico separado de otros artefactos.

## Conozca su fabricante de palomitas de maíz

El producto puede variar levemente de la ilustración



- Una cuchara medidora de granos de maíz = 1/3 taza (3 onzas/85 gramos) de granos hasta la línea MÁX.
- Una cuchara medidora de granos de maíz produce 12 tazas (3 cuartos) de palomitas.
- Se calcula que 3 tazas de palomitas conforman una porción.

## No llene la máquina con palomitas en exceso.

Potencia nominal: 800 W, Voltaje: CA 120 V/60 Hz

## Antes de utilizarlo por primera vez

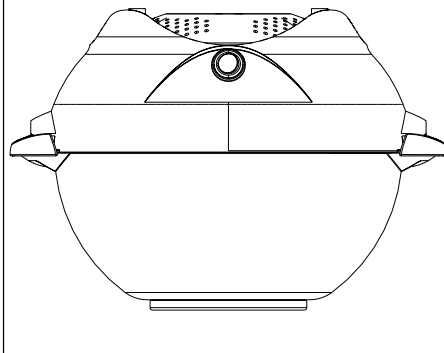
1. Cuidadosamente desempaque el fabricante de palomitas de maíz y retire todo el material de empaque.
2. Lave la cubierta de la tapa y la tapa transparente del fabricante de palomitas de maíz con agua jabonosa tibia, enjuáguelas y séquelas completamente.
3. Coloque la base sobre una superficie limpia, plana y resistente al calor.  
**PRECAUCIÓN:** Durante el proceso de cocción, la base se calienta. Asegúrese que la superficie puede resistir el calor o utilice un soporte para proteger la superficie de trabajo.
4. Límpiela con una esponja o un paño con muy poco jabón. Pásele un paño limpio y húmedo, y séquela completamente
5. Limpie la placa de cocción antiadherente con una esponja o un paño con jabón. Pásele un paño limpio y húmedo, y séquela completamente.
6. El fabricante de palomitas de maíz está listo para ser utilizado.  
**NOTA:** Su fabricante de palomitas de maíz puede emitir un ligero olor a humo. Esto es normal y deberá desaparecer después de 1 o 2 usos. Sin embargo, si emite humo u olor, puede afectar el sabor de la primera tanda de palomitas, por lo que se recomienda desechar esta tanda.

## Instrucciones de funcionamiento

Disfrute hasta 20 tazas (5 cuartos) de palomitas de maíz frescas.

1. Coloque el aparato sobre una superficie limpia y plana.
2. Agregue aproximadamente 2 cucharadas soperas (30 ml) de aceite comestible a la placa de cocción (consulte la sección de consejos útiles que figura a continuación). Recomendamos el uso de aceite vegetal o de canola.
3. Distribuya uniformemente una cucharada completa (2/3 taza / 5 onzas / 141 gramos) de granos en la placa de cocción.  
**NOTA:** No supere los 2/3 taza / 5 onzas / 141 gramos de granos en un solo ciclo.
4. Vuelva a colocar la tapa del palomitero en la base. Los mangos de la tapa deben coincidir con los mangos de la base.  
**IMPORTANTE:** El tapón debe extraerse de la tapa durante el estallido de palomitas. Los orificios de salida del vapor deben estar al descubierto para liberar el exceso de humedad y garantizar que las palomitas se conserven crocantes.
5. Enchufe el cable a un tomacorriente eléctrico de 120 V de CA.
6. Presione el interruptor para encender el aparato (posición "ON"). La varilla de agitación comenzará a girar.
7. Si desea obtener palomitas con mantequilla, coloque mantequilla ablandada sobre la mantequilla derretida (consulte la sección de consejos útiles a continuación para conocer las cantidades sugeridas).  
**NOTA:** Para obtener mejores resultados, corte la mantequilla en rebanadas finas y coloque estas hacia el centro de los orificios de salida del vapor en el área para derretir la mantequilla (vea la figura 1).
8. De acuerdo con la cantidad de granos de maíz crudos, el ciclo de cocción debe finalizar en 5 o 6 minutos.  
**PRECAUCIÓN:** No agite el palomitero durante el ciclo de cocción. No extraiga la tapa del palomitero luego de encender el aparato, especialmente luego del estallido del primer grano.  
**PRECAUCIÓN:** Mientras está en funcionamiento, la base se calienta. Asegúrese de que la superficie soporte el calor o use un posafuentes para proteger la superficie de trabajo.
9. Cuando finalicen los estallidos, coloque el interruptor de encendido/apagado en la posición de apagado (OFF). Desenchufe el cable eléctrico del tomacorriente de pared.
10. Encaje debidamente el tapón en la tapa del palomitero. El tapón debe instalarse firmemente en la tapa transparente del palomitero antes de servir las palomitas.
11. Con manoplas protectoras para horno, tome ambos conjuntos de mangos (tapa y base) firmemente y dé vuelta el palomitero (vea la figura 2).  
**IMPORTANTE:** Para evitar quemaduras, dé vuelta el bol apenas finalicen los estallidos.
12. Sirva las palomitas desde la tapa transparente o descárguelas en un tazón grande para servir.
13. Espolvoree sal u otros condimentos sobre las palomitas frescas, si lo desea.

Figure 2



**PRECAUCIÓN:** Luego de los estallidos, la base, la placa de cocción y la tapa estarán extremadamente calientes. Agarre los mangos únicamente; no coloque los dedos cerca de la placa. Tenga cuidado para evitar quemaduras. A fin de evitar lesiones personales, siempre aleje el palomitero de usted para evitar el contacto con el vapor.

**PRECAUCIÓN:** Se debe tener mucho cuidado cuando se descargan las palomitas de maíz. Siempre coloque la unidad sobre una mesada para evitar quemaduras a causa del aceite o del agua que escurre. **Consejos útiles**

Porción: 3 tazas/24 gramos/0,75 cuartos de palomitas

- El volumen de palomitas variará de acuerdo con el tipo, la calidad y la frescura del maíz. La tabla que figura arriba se aproxima a los volúmenes necesarios para obtener palomitas frescas y amarillas de alta cocina. Las palomitas blancas con menos frescura pueden generar una cantidad más pequeña de palomitas de maíz.

Granos	Aceite vegetal	Palomitas de maíz (Aprox.)	Mantequilla para el fundidor (opcional)
1 onza o 1/8 taza (28,4 g)	1 cucharadita (5 ml)	4 tazas de palomitas (1 cuarto)	1/2 cucharada sopera
2 onzas o 1/4 taza (56,7 g)	1,5 cucharaditas (7,5 ml)	8 tazas de palomitas (2 cuartos)	1 cucharada sopera
3 onzas o 1/3 taza (85,1 g)	2 cucharaditas (10 ml)	12 tazas de palomitas (3 cuartos)	1,5 cucharadas soperas
4 onzas o 1/2 taza (113,4 g)	1 cucharada sopera (15 ml)	16 tazas de palomitas (4 cuartos)	2 cucharadas soperas
5 onzas o 2/3 taza (141,8 g)	1,5 cucharada sopera (22 ml)	20 tazas de palomitas (5 cuartos)	2,5 cucharadas soperas

### Tipos de aceite

Cualquier tipo de aceite vegetal es apto para la cocción (de maíz, soja, cacahuete y canola). No deben usarse mantequilla, margarina, grasa, lardo y aceite de oliva extravirgen ya que se queman fácilmente.

### Para preparar tandas adicionales de palomitas de maíz

1. Descargue las palomitas frescas en un tazón para servir diferente de modo que pueda volver a usar la tapa para cocinar más granos.
2. Espere 10 minutos entre ciclos de cocción para que el palomitero se enfríe por completo.
3. Siga las Instrucciones de funcionamiento que figuran arriba.

### Instrucciones de mantenimiento para el usuario

Este electrodoméstico requiere poco mantenimiento. No contiene piezas que puedan ser reparadas por el usuario. No intente repararlo usted mismo. Cualquier mantenimiento para el que sea necesario desarmar el aparato, aparte de la limpieza, debe ser realizado por un técnico autorizado para reparar electrodomésticos.

## **Instrucciones de limpieza y cuidado**

**PRECAUCIÓN:** Nunca sumerja la base del fabricante de palomitas de maíz, cable o enchufe en agua o en cualquier otro líquido.

1. Desenchufe el fabricante de palomitas de maíz y permita que se enfríe antes de proceder a limpiarlo.
2. El fabricante de palomitas de maíz se debe limpiar después de cada utilización.
3. Lave la tapa transparente del fabricante de palomitas de maíz y la cubierta plástica de la tapa con agua tibia y jabonosa. Utilice un paño suave o una esponja de cocina. Enjuague y seque completamente.

**ADVERTENCIA:** Para evitar rasguños o rayones, nunca utilice esponjas metálicas o abrasivas, lana de acero o limpiadores en polvo.

5. Lave la varilla y la perilla de seguridad con un paño o una esponja suaves, agua tibia y jabón. Enjuáguelas minuciosamente y séquelas.
6. Limpie la cámara antiadherente de cocción con un paño levemente jabonoso, una esponja o una almohadilla para fregar de nylon. Limpie con un paño húmedo y seque completamente.
7. Después de utilizar frecuente la cámara antiadherente de cocción, el terminado antiadherente se puede descolorar. Para remover la descoloración, utilice un paño suave, mójelo con jugo de limón o aceite y páselo por el terminado antiadherente. Luego limpie con un paño húmedo y seque.

**PRECAUCIÓN:** Nunca coloque la tapa transparente del fabricante de palomitas de maíz, la cubierta plástica de la tapa o la barra rotatoria en el lavaplatos automático.

## **Instrucciones de Almacenamiento**

1. Desconecte el fabricante de palomitas de maíz y permita que se enfríe.
2. Sujete el tapón a la parte superior de la tapa.
3. Junte la base del palomitero con la tapa.
4. Guarde el palomitero en la caja, o en un lugar limpio y seco.
5. Cualquier otro tipo de mantenimiento debe ser efectuado por un representante de servicio técnico autorizado.



## **Garantía limitada de UN AÑO**

Mediante la presente, SENSIO Inc. garantiza que, durante el plazo de **UN AÑO** a partir de la fecha de compra, este producto no presentará defectos mecánicos en el material ni en la mano de obra, y durante 90 días, no los presentará en las piezas no mecánicas. A su entera discreción, SENSIO Inc. reparará o reemplazará el producto que resulte defectuoso, o emitirá un reembolso por el producto durante el plazo de garantía.

Esta garantía es válida únicamente para el comprador minorista original a partir de la fecha de compra minorista inicial y no es transferible. Conserve el recibo de compra original, ya que se exige una prueba de compra para obtener la validación de la garantía. Las tiendas minoristas no tienen derecho a alterar, modificar ni corregir de ninguna manera los términos y condiciones de la garantía.

### **EXCLUSIONES:**

La garantía no cubre el desgaste normal de las piezas ni el daño ocasionado por cualquiera de las siguientes causas: uso negligente del producto, uso de un voltaje o corriente incorrectos, mantenimiento de rutina inadecuado, uso contrario al de las instrucciones de funcionamiento, desarmado, reparación o alteración a cargo de personas que no sean miembros del personal calificado de SENSIO Inc. Asimismo, la garantía no cubre actos de la naturaleza, como incendios, inundaciones, huracanes o tornados.

SENSIO Inc. no asumirá responsabilidad por daños incidentales o resultantes ocasionados por la violación de cualquier garantía expresa o implícita. Salvo en la medida en que lo prohíban las leyes aplicables, cualquier garantía implícita de comerciabilidad o aptitud para un propósito particular se limita temporalmente a la duración de la garantía. Algunos estados, provincias o jurisdicciones no permiten la exclusión ni la limitación de daños incidentales o resultantes, o limitaciones sobre la duración de una garantía implícita y, por lo tanto, es posible que las exclusiones o limitaciones mencionadas no le correspondan. La garantía cubre derechos legales específicos que pueden variar de un estado, una provincia o una jurisdicción a otros.

### **CÓMO OBTENER EL SERVICIO DE GARANTÍA:**

Debe comunicarse con el Servicio de atención al cliente a nuestro número telefónico gratuito: 1-866-832-4843. Un representante del Servicio de atención al cliente intentará resolver los problemas referidos a la garantía por teléfono. Si este no puede resolver el problema, le proporcionarán un número de caso y le solicitarán que devuelva el producto a SENSIO Inc. Adhiera una etiqueta al producto que incluya: su nombre, dirección, número telefónico de contacto durante el día, número de caso y descripción del problema. Además, incluya una copia del recibo de compra original. Envuelva cuidadosamente el producto etiquetado con el recibo de compra, y envíelo (con el envío y el seguro prepagados) a la dirección de SENSIO Inc. SENSIO Inc. no asumirá obligación ni responsabilidad alguna por el producto devuelto que esté en el trayecto hacia el Centro de servicio al cliente de SENSIO Inc.



**BELLA**



# GRACIAS

## para su compra

**REGISTRARSE  
Y FIRMAR**



para arriba para anuncios especiales y los ingresos de la moda!

**¡CUÉNTANOS LO  
QUE PIENSAS!**



Evaluar, revisar o hacernos una pregunta.

**VISITE: [bellahousewares.com](http://bellahousewares.com)**

#myBELLAlife



BellaLifestyle



BellaLife





BellaLife



BellaLifestyle



[bellahousewares.com](http://bellahousewares.com)

**For customer service questions or comments**  
**Dudas o comentarios contactar el departamento de servicio al cliente**

1-866-832-4843 / [help@bellahousewares.com](mailto:help@bellahousewares.com)