



12 INCH ROUND ELECTRIC SKILLET

Instruction Manual and Recipe Guide

SARTÉN ELÉCTRICA REDONDA DE 12 PULGADAS

Manual de instrucciones y guía de recetas

WWW.BELLAHOUSEWARES.COM

Register your product and get support • Registrar y obtener asistencia de su producto



THANK YOU

for your purchase

**REGISTER
AND SIGN UP**



for special announcements trendy recipes!

**TELL US WHAT
YOU THINK!**



Rate, review or ask us a question.

GO TO: bellahousewares.com

#myBELLAlife



BellaLifestyle



BellaLife



Table of Contents

Important Safeguards.....	2
Additional Important Safeguards.....	3
Notes on the Plug.....	3
Notes on the Cord.....	3
Plasticizer Warning.....	3
Electric Power.....	3
Getting To Know Your Non-Stick Round Electric Skillet.....	4
Temperature Control Probe.....	4
Before Using For The First Time.....	4
Operating Instructions.....	5
Cooking Methods.....	6
User Maintenance Instructions.....	6
Care and Cleaning Instructions.....	7
Steps for stain removal and proper care of your Non-Stick coating.....	7
Storing Instructions.....	7
Cooking Temperature Timetable.....	8
Warranty.....	9

Índice

Advertencias importantes.....	10
Advertencias importantes adicionales.....	11
Notas sobre el enchufe.....	11
Notas sobre el cable.....	11
Advertencia sobre los plastificantes.....	11
Corriente eléctrica.....	11
Una ojeada a su sartén eléctrica redonda redonda antiadherente.....	12
La sonda de control de temperatura.....	12
Antes de utilizarse por primera vez.....	12
Modo de funcionamiento.....	13
Métodos de cocción.....	14
Instrucciones para el mantenimiento.....	15
Instrucciones para la limpieza.....	15
Pasos para quitar manchas y cuidar correctamente el revestimiento antiadherente.....	15
Instrucciones para guardar el aparato.....	15
Tabla de temperatura de cocción.....	16
Garantía.....	17

IMPORTANT SAFEGUARDS

When using electrical appliances, basic safety precautions should always be followed including the following:

1. **READ ALL INSTRUCTIONS.**
2. Do not touch hot surfaces. Use handles or knobs. Use oven mitts or potholders.
3. To protect against electrical shock, do not immerse cord or plugs or temperature control probe in water or other liquid.
(**NOTE:** The non-stick skillet pan is immersible.)
4. This appliance is not intended for use by persons (including children) with reduced physical, sensory or mental capabilities, or lack of experience and knowledge, unless they have been given supervision or instruction concerning use of the appliance by a person responsible for their safety.
5. Children should be supervised to ensure that they do not play with the appliance.
6. Unplug from outlet when not in use and before cleaning. Allow to cool before putting on or taking off parts, and before cleaning the appliance.
7. Do not operate any appliance with a damaged cord or plug or after the appliance malfunctions, or has been damaged in any manner. Bring it to a qualified technician for examination, repair or electrical or mechanical adjustment.
8. The use of accessory attachments not recommended by the appliance manufacturer may cause injuries.
9. Do not use outdoors.
10. Do not let cord hang over the edge of table or counter, or touch hot surfaces.
11. Do not place on or near a hot gas or electric burner, or in a heated oven.
12. Extreme caution must be used when moving an appliance containing hot oil or other hot liquids.
13. Always attach temperature control probe to appliance first, then plug cord in the wall outlet. To disconnect, turn temperature control probe to OFF, then remove plug from wall outlet.
14. Do not use appliance for other than intended use.
15. This appliance is not intended for deep frying foods.

FOR HOUSEHOLD USE ONLY
SAVE THESE INSTRUCTIONS

ADDITIONAL IMPORTANT SAFEGUARDS

CAUTION HOT SURFACES: This appliance generates heat and escaping steam during use. Proper precautions must be taken to prevent the risk of burns, fires, or other injury to persons or damage to property.

CAUTION: This appliance is hot during operation and retains heat for some time after turning OFF. Always use oven mitts when handling hot materials and allow metal parts to cool before cleaning. Do not place anything on top of the appliance while it is operating or while it is hot.

1. All users of this appliance must read and understand this Owner's Manual before operating or cleaning this appliance.
2. The cord to this appliance should be plugged into a 120 V AC electrical outlet only.
3. If this appliance begins to malfunction during use, immediately unplug the cord. Then remove the temperature control probe. Do not use or attempt to repair the malfunctioning appliance.
4. Do not leave this appliance unattended during use.

Notes on the Plug

This appliance has a polarized plug (one blade is wider than the other). To reduce the risk of electric shock, this plug will fit in a polarized outlet only one way. If the plug does not fit fully into the outlet, reverse the plug. If it still does not fit, contact a qualified electrician. Do not modify the plug in any way.

Notes on the Cord

- A. A short power-supply cord (or detachable power-supply cord) is to be provided to reduce the risk resulting from becoming entangled in or tripping over a longer cord.
- B. Longer detachable power-supply cords or extension cords are available and may be used if care is exercised in their use.
- C. If a long detachable power-supply cord or extension cord is used:
 1. The marked electrical rating of the cord or extension cord should be at least as great as the electrical rating of the appliance;
 2. If the appliance is of the grounded type, the extension cord should be a grounding-type 3-wire cord; and
 3. The longer cord should be arranged so that it does not drape over the countertop or table top where it can be pulled on by children or tripped over unintentionally.

Plasticizer Warning

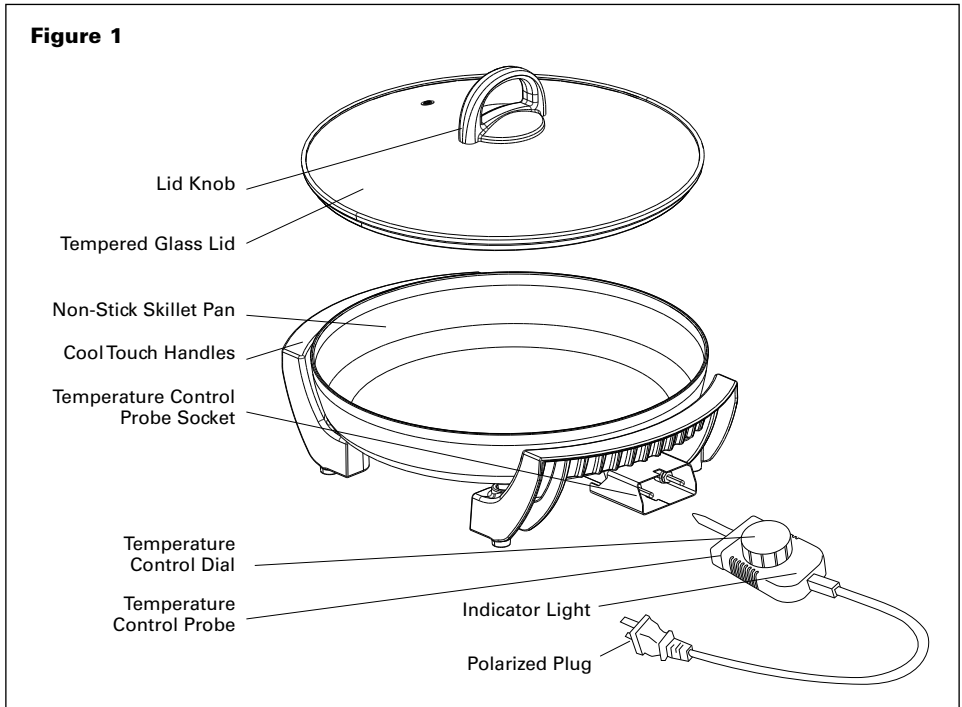
CAUTION: To prevent Plasticizers from migrating to the finish of the counter top or table top or other furniture, place NON-PLASTIC coasters or place mats between the appliance and the finish of the counter top or table top. Failure to do so may cause the finish to darken; permanent blemishes may occur or stains can appear.

Electric Power

If the electrical circuit is overloaded with other appliances, your appliance may not operate properly. It should be operated on a separate electrical circuit from other appliances.

Getting to Know Your Non-Stick Round Electric Skillet

Product may vary slightly from illustration



Temperature Control Probe

1. The temperature control probe is the nerve center and brain of the Round Electric Skillet. Treat it carefully. Dropping or banging it could change its calibration and make the temperature settings inaccurate.
2. Rotate the dial to select the temperature as called for in the recipe.
3. The indicator light on the temperature control probe will illuminate as soon as the dial is rotated. The light will go out once the selected temperature has been reached.
4. Allow the Round Electric Skillet to cool before removing the temperature control probe.
5. To clean the temperature control probe, simply wipe down with a soft, damp cloth. Make sure you dry it thoroughly before using again.

NOTE: The temperature control probe is not submersible.

CAUTION: Use the temperature control probe supplied with this Round Electric Skillet only. The use of any other temperature control probe may cause fire, electric shock, or injury.

Before Using for the First Time

1. Carefully unpack the Round Electric Skillet and remove all packaging materials.
2. Before cooking in the Round Electric Skillet for the first time, wash the non-stick Skillet in mild dishwashing soap, wipe and allow to dry.
NOTE: THE SKILLET IS NOT DISHWASHER SAFE.
3. Turn the temperature control to 400° F and heat empty Round Electric Skillet uncovered for approximately 5 minutes. This will ensure the non-stick coating is ready for use. You will notice a slight odor; this is normal and should quickly disappear.
4. Turn the temperature control to OFF and allow to cool for 15 minutes.

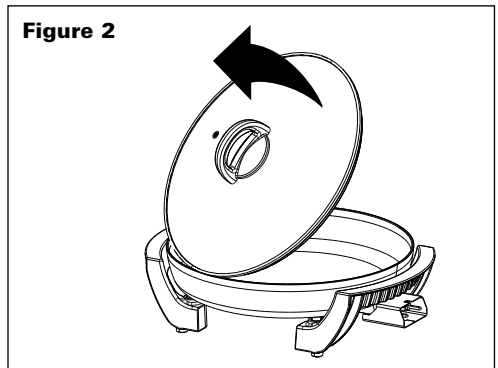
Operating Instructions

1. Place the Round Electric Skillet on a level surface such as a countertop or table.
NOTE: Some countertop and table surfaces, such as Corian® and other surfaces, are not designed to withstand the prolonged heat generated by this Round Electric Skillet. We recommend placing a hot pad or trivet under the Round Electric Skillet beforehand to avoid possible damage to the surface.
2. Be sure the sides and back of the Round Electric Skillet are at least 4 inches away from any walls, cabinets, or objects on the counter or table.
3. Turn temperature control probe to the OFF position.
4. Plug the temperature control probe securely into Round Electric Skillet's control probe socket. Plug cord into any standard 120V AC wall outlet.
IMPORTANT: ALWAYS PLUG CORD INTO SKILLET FIRST, THEN INTO WALL OUTLET.
5. Preheat Round Electric Skillet for approximately 5 minutes before cooking. To preheat, turn the temperature control to desired temperature. The indicator light on the temperature control probe will illuminate as soon as the dial is rotated. The light will go out once the selected temperature has been reached.
6. Add food and cook according to the recipe. Adjust temperature control dial as necessary.
NOTE: During cooking, the light will go on and off indicating that the Round Electric Skillet is maintaining proper temperature.
CAUTION: DO NOT USE COOKING SPRAYS. THEY CAN CAUSE A BUILD-UP ON THE COOKING PLATES AND MAY AFFECT THE NON-STICK PERFORMANCE OF THE PRODUCT.
7. Liquids such as broth, water, etc. may be added to the Round Electric Skillet during cooking.
8. When cooking has been completed, turn the temperature control to the OFF position. The indicator light on the temperature control probe will turn off.
9. Unplug cord from wall outlet. Let the Round Electric Skillet cool completely.
10. Remove temperature control probe from Round Electric Skillet. Follow the Care & Cleaning Instructions described in this Owner's Manual.
11. **CAUTION: ESCAPING STEAM IS HOT! BE CAREFUL WHEN REMOVING OR LIFTING LID. HOT WATER CONDENSATION MAY BE CREATED ON THE LID, ALWAYS HANDLE WITH CARE.**

To prevent personal injury or steam burns due to hot water condensation follow those instruction:

When removing lid from skillet, always tilt the lid away when lifting (See Figure 2.)

When removing lid from skillet, always use oven mitts or hot pads.



Cooking Methods

Fry/Sauté

Add oil, shortening, butter or margarine to Round Electric Skillet and preheat to 350° F. The amount of fat used will vary accordingly to recipe and type or amount of food to be prepared. Pan-fry (or sauté) food rapidly in the open Round Electric Skillet using a small quantity of fat.

NOTE: When heating oil, always remove the lid. If oil smokes, immediately turn the temperature control to OFF and allow to cool.

IMPORTANT: To pan-fry, do not use more than 1 cup of oil. Select a vegetable oil or peanut oil for frying. Butter and olive oil should only be used to sauté foods on a lower temperature setting.

Pan-Broil

Select a tender (not too thick) cut of beef such as fillet mignon or top sirloin steak. Pan-broiling is best achieved using high heat in an open skillet with no oil. If a recipe calls for it, use only a small amount of oil or shortening. (Butter must be used with oil to prevent burning.) Preheat to 400° F. Place food in the open, hot Round Electric Skillet. Brown food, turning often. Remove excess fat as it accumulates.

Braise

Add a small quantity of fat to the Round Electric Skillet and preheat to 400° F. Sear food in hot fat until browned on all sides. Add specified amount of liquid, cover and turn temperature control dial down to 300° F, just until the indicator light goes out (simmer point). Cook as specified in recipe, or until food is tender. Check during cooking and add more liquid as necessary. **DO NOT LET SKILLET BOIL DRY.**

Simmer

Add oil, shortening, butter or margarine to Round Electric Skillet and preheat to desired temperature. If required, brown food on all sides. Add liquid or make a sauce as directed in recipe. With the temperature control set to 300° F - 350° F, bring liquid to a boil. Turn temperature control dial down just until indicator light goes out. This is the simmer point. Cover. Simmer food for the directed length of time or until food is done.

Check periodically during cooking and add more liquid as necessary. **DO NOT LET SKILLET BOIL DRY.**

Steam

Place a small amount of water in the bottom of Round Electric Skillet. Add vegetables or other foods and cover. Turn temperature control dial to 300° F and steam food until done. Check often, adding more water as necessary. **DO NOT LET SKILLET BOIL DRY.**

Warming

After cooking is completed set temperature control dial down to WARMING. Turn or stir occasionally. When serving previously cooked and cooled food, it may be necessary to heat food first; then turn the temperature control to WARMING.

USDA Cooking Guidelines

NOTE: The United States Department of Agriculture recommends that meat and poultry be cooked to the following internal temperatures to be sure any harmful bacteria has been killed. Ground turkey and chicken should be cooked to an internal temperature of 165° F/74° C and ground beef, veal, lamb and pork be cooked to an internal temperature 160° F/71° C. Whole chicken and turkey should be cooked to an internal temperature of 180° F/82° C; 170° F/77° C for the breast. Goose and duck should be cooked to an internal temperature of 180° F/82° C. Fresh beef, veal and lamb, etc., should be cooked to an internal temperature of at least 145° F/63° C. Fresh pork should be cooked to an internal temperature of at least 160° F/71° C. When re-heating meat and poultry products, they should also be cooked to an internal temperature of 165° F/74° C.

User Maintenance Instructions

This appliance requires little maintenance. It contains no user serviceable parts. Do not try to repair it yourself. Any servicing requiring disassembly other than cleaning must be performed by a qualified appliance repair technician.

Care & Cleaning Instructions

CAUTION: Do not immerse the cord, plug or temperature control probe in water or any other liquid.

CAUTION: To avoid accidental burns, allow your Round Electric Skillet to cool thoroughly before cleaning.

1. When cooking is completed, unplug cord from wall outlet. Allow Round Electric Skillet to cool.
2. Remove temperature control probe from Round Electric Skillet.
CAUTION: The probe may become hot after use. Allow to cool before handling.
3. If necessary, wipe temperature control case and probe with a damp, soft cloth. Dry temperature control probe completely. Set aside.
CAUTION: The temperature control probe is not immersible.
4. The skillet base is NOT dishwasher safe. You can wash it with warm soapy water and rinse it dry after each use. All parts except the temperature control probe are fully immersible.
NOTE: Only the SKILLET LID is top rack dishwasher safe.
5. To wash by hand, immerse Round Electric Skillet and glass lid in hot, sudsy water. Clean thoroughly using a sponge or soft cloth. Rinse in hot water. Dry completely.
6. For stubborn food particles, loosen with a plastic cleaning pad. Avoid hard scouring of the non-stick finish as this may cause surface scratches. Do not use steel wool, scouring pads, or abrasive cleaners on any part of the Round Electric Skillet.

Steps for stain removal and proper care of your Non-Stick coating

1. Identify stained areas on the cooking surface and sprinkle some baking soda on the stains.
2. Moisten the baking soda to get a paste like texture by adding some water.
3. Let the paste stand for a few minutes on the stains (not more than an hour)
4. Rub with a soft damp cloth or lightly scrub with a plastic scouring pad, wipe clean and dry thoroughly.
NOTE: Do not rub vigorously when using a plastic scouring pad and NEVER use a metal scouring pad as this may damage the non-stick coating.
5. Repeat the cycle once again if necessary. The performance and non-stick property of the non-stick coating will not be affected due to stains

Storing Instructions

1. Unplug unit and allow to cool. Never store the Round Electric Skillet while it is hot or still plugged in.
2. Clean the Round Electric Skillet thoroughly before storing.
3. To avoid scratching the non-stick surface, first place a paper towel into the skillet. Store the temperature control probe inside the covered Round Electric Skillet.
4. Store the clean Round Electric Skillet in its box or in a clean, dry place.

Cooking Temperature Timetable

FOOD	TEMPERATURE (F°)	APPROXIMATE COOKING TIME IN MINUTES
FRYING		
Bacon	300°-325°	8-10
Canadian Bacon	275°-300°	3-4
Chicken	325°-350°	25-40
Eggs (fried)	250°-275°	3-5
Eggs (scrambled)	250°-275°	3-5
Fish	325°-375°	5-10
French Toast	300°-325°	4-6
Ham 1/2" thick	325°-350°	10-12
Ham 3/4" thick	325°-350°	14-16
Hamburgers 1/2" thick	325°-375°	8-12
Liver	325°-350°	5-10
Minute Steak	375°-400°	4-5
Pork Chops 1/2" thick	325°-375°	15-20
Pork Chops 3/4" thick	325°-375°	20-25
Potatoes (cottage fried)	300°-325°	10-12
Link Sausage	300°-325°	20-30
Precooked Sausage	325°-350°	10-12
Grilled Sandwiches	300°-325°	5-10
Beef Steak 1" thick		
RARE	350°-400°	6-7
MEDIUM	350°-400°	10-12
Beef Steak 1 1/2" thick		
RARE	350°-400°	8-10
MEDIUM	350°-400°	18-20
BRAISING AND ROASTING		
Browning	325°-400°	5-10
Braising*	200°-225°	45-60
Roasting (on rack)	325°-350°	60-90
STEWING		
Browning	325°-400°	10-15
Stewing*	200°-225°	30-90
CASSEROLE DISHES	Warm-225°	30-60
BAKING		
Pancakes	350°-400°	2-3
Upside Down Cake	225°-300°	25-35
HOLDING TEMPERATURE		
(after cooking period)	Warm	

* Add additional liquid during cooking (if necessary), to obtain desired consistency.



Limited TWO-YEAR Warranty

SENSIO Inc. hereby warrants that for a period of **TWO YEARS** from the date of purchase, this product will be free from mechanical defects in material and workmanship, and for 90 days in respect to non-mechanical parts. At its sole discretion, SENSIO Inc. will either repair or replace the product found to be defective, or issue a refund on the product during the warranty period.

The warranty is only valid for the original retail purchaser from the date of initial retail purchase and is not transferable. Keep the original sales receipt, as proof of purchase is required to obtain warranty validation. Retail stores selling this product do not have the right to alter, modify, or in any way revise the terms and conditions of the warranty.

EXCLUSIONS:

The warranty does not cover normal wear of parts or damage resulting from any of the following: negligent use of the product, use of improper voltage or current, improper routine maintenance, use contrary to the operating instructions, disassembly, repair, or alteration by anyone other than qualified SENSIO Inc. personnel. Also, the warranty does not cover Acts of God such as fire, floods, hurricanes, or tornadoes.

SENSIO Inc. shall not be liable for any incidental or consequential damages caused by the breach of any express or implied warranty. Apart from the extent prohibited by applicable law, any implied warranty of merchantability or fitness for a particular purpose is limited in time to the duration of the warranty. Some states, provinces or jurisdictions do not allow the exclusion or limitation of incidental or consequential damages, or limitations on how long an implied warranty lasts, and therefore, the above exclusions or limitations may not apply to you. The warranty covers specific legal rights which may vary by state, province and/or jurisdiction.

HOW TO OBTAIN WARRANTY SERVICE:

You must contact Customer Service at our toll-free number: 1-866-832-4843. A Customer Service Representative will attempt to resolve warranty issues over the phone. If the Customer Service Representative is unable to resolve the problem, you will be provided with a case number and asked to return the product to SENSIO Inc. Attach a tag to the product that includes: your name, address, daytime contact telephone number, case number, and description of the problem. Also, include a copy of the original sales receipt. Carefully package the tagged product with the sales receipt, and send it (with shipping and insurance prepaid) to SENSIO Inc.'s address. SENSIO Inc. shall bear no responsibility or liability for the returned product while in transit to SENSIO Inc.'s Customer Service Center.

ADVERTENCIAS IMPORTANTES

Cuando se utilizan aparatos electrodomésticos, deben tomarse algunas precauciones básicas, en particular:

1. **LEER ATENTAMENTE Y POR COMPLETO EL MODO DE EMPLEO.**
2. No tocar superficies calientes. Utilizar las asas o los botones. Manipular con manoplas o paños adecuados.
3. A fin de evitar cualquier riesgo de descarga eléctrica, no deben sumergirse ni el cable ni el enchufe ni la sonda de control de temperatura en agua o en cualquier otro líquido.
(**NOTA:** La sartén redonda de fondo antiadherente es sumergible.)
4. Este aparato no debe ser utilizado por personas con capacidades físicas, intelectuales o sensoriales reducidas (incluyendo a los niños) o faltas de experiencia o conocimientos, a no ser que estén supervisadas o hayan recibido las instrucciones necesarias relativas a la utilización por parte de una persona responsable de su seguridad.
5. Debe vigilarse a los niños para asegurarse de que no jueguen con el aparato.
6. Desenchufar el aparato de la toma eléctrica mural cuando no se utiliza y antes de limpiarlo. Dejar que se enfríe el aparato antes de agregar o retirar piezas y antes de limpiarlo.
7. No poner un electrodoméstico en funcionamiento si el cable o el enchufe está dañado, después de un apagón, o si se ha caído o ha sufrido algún desperfecto. Debe confiarse a un técnico calificado para su verificación, reparación o ajuste mecánico o eléctrico.
8. El uso de accesorios no recomendados por el fabricante puede causar heridas.
9. No debe utilizarse en el exterior.
10. No dejar nunca que el cable cuelgue de una mesa o de un mueble o entre en contacto con una superficie caliente.
11. No debe colocarse encima o cerca de un calentador de gas o eléctrico, o en un horno caliente.
12. Mostrarse siempre muy prudente al desplazar un aparato que contenga aceite caliente o cualquier otro líquido caliente.
13. Fijar siempre, en primer lugar, la sonda de control de temperatura, y luego introducir el enchufe en la toma mural. Para desenchufar, colocar la sonda de control de temperatura en la posición OFF, y luego retirar el enchufe de la toma mural.
14. No utilizar este aparato para un uso que no sea aquél para el que ha sido concebido.
15. Este aparato no está destinado para freír los alimentos

**SÓLO PARA USO DOMÉSTICO
CONSERVAR ESTE MODO DE
EMPLEO**

ADVERTENCIAS IMPORTANTES ADICIONALES

¡CUIDADO! SUPERFICIES CALIENTES: Este aparato desprende calor y hay vapores que se escapan del mismo durante su utilización. Deben tomarse precauciones adecuadas si se quieren evitar riesgos de quemaduras, incendios, heridas corporales o daños materiales.

¡ATENCIÓN! Cuando funciona, este aparato está caliente y retiene el calor durante algún tiempo después de apagarse. Utilizar siempre manoplas o paños adecuados cuando se manipulan aparatos calientes y dejar enfriar las piezas metálicas antes de limpiarlas. No colocar nada sobre este aparato mientras funciona o está aún caliente.

1. Todos los usuarios de este aparato deben leer y comprender este manual de instrucciones antes de hacerlo funcionar o de limpiarlo.
2. El cable debe enchufarse solamente en una toma eléctrica de 120 V CA.
3. Si el aparato funciona mal durante su utilización, desenchufar el cable inmediatamente. No tratar nunca de reparar un aparato defectuoso.
4. No dejar este aparato sin vigilancia durante su utilización.

Notas sobre el enchufe

Este aparato está dotado de un enchufe polarizado, es decir que tiene un terminal más ancho que otro. A fin de reducir los riesgos de descarga eléctrica, este enchufe entra solamente en una toma mural polarizada. Si el enchufe del aparato no entra totalmente en la toma, darle la vuelta. Si sigue sin entrar, ponerse en contacto con un electricista calificado. Nunca se debe modificar el enchufe por ningún concepto.

Notas sobre el cable

- A. El aparato cuenta con un cable de alimentación corto para evitar que se enrede o que sea un obstáculo.
- B. Es posible utilizar una extensión eléctrica con vigilancia.
- C. Si utiliza una extensión:
 1. Asegúrese de que el calibre indicado en el cordón sea como mínimo tan alto como las características eléctricas indicadas en el aparato;
 2. La extensión debe contar con un cordón de 3 conductores con puesta a tierra, si el aparato contara con el conductor de puesta a tierra.
 3. El cordón y la extensión se deben colocar de modo que no cuelguen de una superficie plana o una mesa para evitar que estén al alcance de los niños o que representen un obstáculo para ellos

Advertencia sobre los plastificante

PRECAUCIÓN: A fin de evitar que las materias plásticas que integran el aparato deterioren el acabado de mesas o de cualquier otro mueble, colocar posavasos que no sean de plástico o mantelitos entre el aparato y la superficie de la mesa o del mueble donde se coloque. Si no se cumple esta consigna, el acabado del mueble ennegrecerá, causando daños permanentes o manchas indelebles.

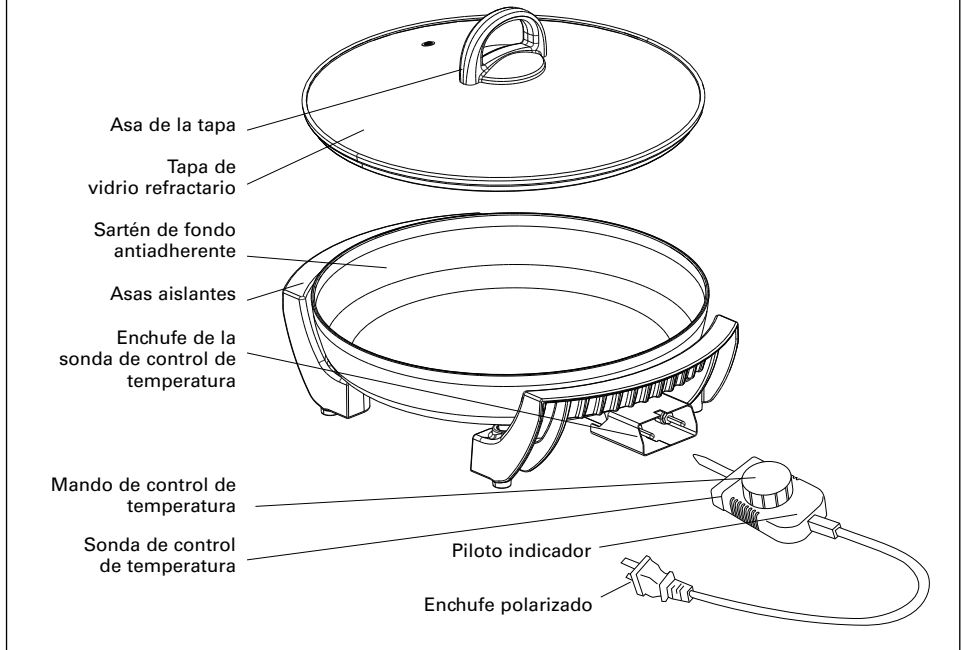
Corriente eléctrica

Si el circuito eléctrico está sobrecargado por tener que alimentar otros aparatos, además del nuevo, éste no funcionará correctamente. Se recomienda hacer funcionar el aparato en un circuito eléctrico separado.

Una ojeada a su sartén eléctrica redonda antiadherente

El producto puede variar levemente del que aparece ilustrado.

Figura 1



La sonda de control de temperatura

1. La sonda de control de temperatura es el centro neurálgico y el cerebro de la sartén eléctrica redonda. Debe manipularse con cuidado. Si se cae o choca con otro objeto, pueden alterarse su graduación y desequilibrarse sus ajustes.
2. Hacer girar el mando de control para seleccionar la temperatura que requiera la receta.
3. El piloto indicador en la sonda de control de temperatura se encenderá en cuanto se gire el indicador; se apagará cuando se haya alcanzado la temperatura seleccionada.
4. Dejar que se enfríe la sartén eléctrica redonda antes de retirar la sonda de control de temperatura.
5. Para limpiar la sonda de control de temperatura, frotarla con un paño suave y húmedo. Asegurarse de que esté bien seca antes de la próxima utilización.

NOTA: No debe sumergirse en ningún líquido la sonda de control de temperatura.

¡CUIDADO! Utilizar solamente la sonda de control de temperatura incluida con esta sartén eléctrica redonda. La utilización de otra sonda de control de temperatura puede ser causa de incendios, descargas eléctricas o heridas corporales.

Antes de utilizarse por primera vez

1. Desembalar cuidadosamente la sartén eléctrica redonda y retirar todo el material de embalaje.
 2. Antes de cocinar por primera vez con la sartén eléctrica redonda, limpiar la superficie antiadherente con jabón de lavavajillas suave, secar con un paño y dejar reposar.
- NOTA: LA SARTEN NO SE PUEDE LAVAR EN EL LAVAVAJILLAS.**
3. Antes de utilizarse por primera vez, subir el control de temperatura hasta 400° F y calentar la sartén eléctrica redonda destapada durante unos 5 minutos, a fin de asegurarse de que la superficie antiadherente está lista para la utilización. Se desprenderá un leve olor, lo cual es normal y debería de desaparecer rápidamente.
 4. Ajustar el control de temperatura en la posición OFF y dejar enfriar durante 15 minutos.

Modo de funcionamiento

1. Colocar la sartén eléctrica redonda sobre una superficie plana, como un mueble de cocina o una mesa.

NOTA: Algunos muebles de cocina o mesas, por ejemplo, de Corian® u otros materiales, no están concebidos para resistir el calor prolongado que desprende esta sartén eléctrica redonda. Se recomienda colocar previamente una almohadilla protectora o un salvamanteles debajo de la sartén eléctrica redonda para evitar que se deteriore la superficie.

2. Asegurarse de que las partes laterales y trasera de la sartén eléctrica redonda estén a una distancia mínima de cuatro (4) pulgadas de paredes, armarios u objetos se que se encuentran en el mueble de cocina o la mesa
3. Poner la sonda de control de temperatura en la posición OFF.
4. Enchufar sólidamente la sonda de control de temperatura en la toma prevista para ello en la sartén. Enchufar el cable en una toma eléctrica estándar de 120 V CA.

IMPORTANTE: EN PRIMER LUGAR, ENCHUFAR SIEMPRE EL CABLE EN LA SARTÉN, Y LUEGO EN LA TOMA MURAL.

5. Calentar la sartén eléctrica redonda durante unos 5 minutos antes de ponerse a cocinar. Para ello, colocar el control a la temperatura deseada. El piloto indicador se encenderá en cuanto se gire el indicador y se apagará cuando se haya alcanzado la temperatura deseada.
6. Agregar los alimentos y cocinar según la receta. Ajustar el indicador de control de temperatura conforme a las necesidades.

NOTA: Durante la cocción, se encenderá y apagará el piloto, indicando que la sartén está manteniendo la temperatura adecuada.

PRECAUCIÓN: NO UTILICE AEROSOL DE COCINA. PUEDEN CAUSAR UNA ACUMULACIÓN EN LAS PLACAS DE COCCIÓN Y PUEDE AFECTAR EL RENDIMIENTO ANTIADHERENTE DEL PRODUCTO.

7. Algunos líquidos, como caldo, agua, etc., pueden agregarse a la sartén durante la cocción.
8. Una vez terminada la cocción, poner el control de temperatura en la posición OFF. El piloto indicador de la sonda de control de temperatura se apagará.
9. Desenchufar el cable de la toma mural. Dejar que la sartén se enfríe completamente.
10. Retirar la sonda de control de temperatura de la sartén eléctrica redonda. Seguir las instrucciones de limpieza, tal y como se describen en este manual.

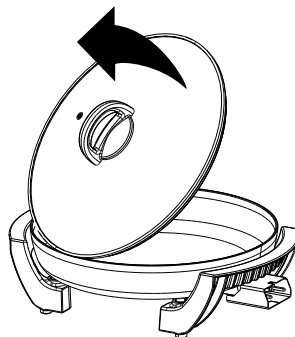
PRECAUCIÓN: ¡El escape de vapor está caliente! Tenga cuidado al quitar o levantar la tapa. Condensación de agua caliente puede ser creada en la tapa, siempre manejar con cuidado.

Para evitar quemaduras o lesiones de vapor debidas a la condensación de agua caliente, siga las instrucciones:

Al retirar la tapa de la sartén, siempre incline la tapa lejos al levantarla (Ver Figura 2.).

Al retirar la tapa de la sartén, siempre use guantes o manoplas de cocina.

Figura 2



Métodos de cocción

Freír/saltear

Agregar aceite, grasa, mantequilla o margarina en la sartén eléctrica redonda y calentar a 350° F. La cantidad de grasa utilizada dependerá de la receta y del tipo o cantidad de alimentos que se van a preparar. Freír (o saltear) rápidamente los alimentos en la sartén eléctrica redonda sin tapa, utilizando una pequeña cantidad de grasa.

NOTA: Al calentar el aceite, retirar siempre la tapa. Si el aceite desprende humo, colocar inmediatamente el control de temperatura en la posición OFF y dejar que se enfríe.

IMPORTANTE: Para freír, no utilizar más de una (1) taza de aceite. Para la fritura, elegir un aceite vegetal, como el de cacahuete. Debe utilizarse mantequilla o aceite de oliva únicamente para saltear alimentos a baja temperatura.

Asar

Elegir un corte de carne de res tierna (que no sea demasiado gruesa), como un bistec o una costilla de solomillo. Se logra mejor el asado en la sartén sin tapa y a temperatura elevada, sin utilizar aceite. Si una receta requiere aceite o grasa, utilizar solamente una pequeña cantidad. Debe utilizarse mantequilla con el aceite para evitar que se queme. Precalentar a 400° F. Colocar los alimentos en la sartén eléctrica redonda sin tapa. Dorar los alimentos, dándoles vueltas varias veces. Retirar el exceso de grasa a medida que se vaya acumulando.

Brasear

Agregar una pequeña cantidad de grasa en la sartén eléctrica redonda y precalentar a 400° F. Asar los alimentos en la grasa caliente hasta que estén bien dorados por todos los lados. Agrega la cantidad de líquido necesaria, tapar la sartén y bajar la temperatura a 300° F, hasta que se apague el piloto indicador (punto de borboteo). Cocinar como lo indica la receta o hasta que los alimentos estén tiernos. Comprobar la cocción y agregar más líquido si fuera necesario. NO DEJAR COCER EN SECO EN LA SARTÉN.

Cocer a fuego lento

Emplear aceite, grasa vegetal, mantequilla o margarina en la sartén eléctrica redonda y calentar a la temperatura deseada. Si fuera necesario, dorar los alimentos por todos los lados. Agregar líquido o preparar una salsa, según se indique en la receta. Poniendo el control de temperatura entre 300° F y 350° F, llevar el líquido a ebullición.

Bajar la temperatura hasta que se apague el piloto indicador. Éste es el punto de borboteo. Tapar y dejar que cueza a fuego lento durante el tiempo necesario o hasta que los alimentos estén en su punto. Comprobar la cocción con regularidad y agregar más líquido si hace falta. NO DEJAR COCER EN SECO EN LA SARTÉN.

Cocer al vapor

Emplear una pequeña cantidad de agua en el fondo de la sartén eléctrica redonda. Agregar las verduras u otros alimentos y tapar. Bajar el control de temperatura a 300° F y cocer al vapor hasta que los alimentos estén en su punto.

Comprobar con regularidad, agregando agua si hace falta. NO DEJAR COCER EN SECO EN LA SARTÉN.

Recalentar

Una vez terminada la cocción, poner el indicador de control de temperatura en la posición WARM (MANTENER TIBIO). Dar la vuelta a los alimentos o moverlos de vez en cuando. En el momento de servirse los alimentos ya cocidos y enfriados, puede que sea necesario empezar por recalentarlos, bajando luego el indicador de control de temperatura a la posición WARM (MANTENER TIBIO).

Normas de cocción prescritas por el departamento de agricultura de estados unidos (USDA)

NOTA: A fin de asegurarse de que se hayan eliminado las bacterias nocivas, el Departamento de Agricultura de Estados Unidos recomienda que la carne o las aves estén cocidas a las siguientes temperaturas internas.

La carne picada de pollo o de pavo debería cocerse a una temperatura interna de 165° F/74° C, mientras que la de res, ternera, cordero y cerdo deberían cocerse a una temperatura interna de 180° F/82° C; para la pechuga de ave, la temperatura debería ser de 170° F/77° C. La oca y el pato deberían cocerse a una temperatura interna de 180° F/82° C. Una pieza de res, ternera y cordero, etc., debería cocerse a una temperatura interna mínima

de 145° F/63° C. El cerdo requiere una temperatura interne mínima de 160° F/71° C. Al recalentar carne o ave, deberían haber sido cocidos a una temperatura interna de 165° F/74° C.

Instrucciones para el mantenimiento

Este aparato requiere poco mantenimiento. No contiene piezas que puedan ser sustituidas por el usuario. No se debe tratar de repararlo por uno mismo. Cualquier reparación que requiera un desmontaje que no sea de mantenimiento debe hacerse por un técnico calificado en reparación de aparatos electrodomésticos.

Instrucciones para la limpieza

¡CUIDADO! No se deben sumergir ni el cable, ni el enchufe ni la sonda de control de temperatura en agua o en cualquier otro líquido.

PRECAUCIÓN: Para evitar cualquier riesgo de quemadura accidental, dejar que se enfríe totalmente la sartén eléctrica redonda antes de proceder a su limpieza.

1. Una vez terminada la cocción, desenchufar el cable de la toma mural. Esperar algún tiempo hasta que la sartén eléctrica redonda se enfríe.
2. Retirar la sonda de control de temperatura de la sartén eléctrica redonda.
3. Si fuera necesario, frotar la sonda de control de temperatura con un paño suave y húmedo. Secar totalmente la sonda de control de temperatura y ponerla aparte.

¡CUIDADO! La sonda de control de temperatura no debe sumergirse en ningún líquido.

4. La sartén NO es apta para el lava vajillas. Usted puede lavarla con agua tibia y jabón y secar después de cada uso. Todas las partes excepto el control de temperatura son completamente sumergible.

NOTA: Solo la TAPA DE LA SARTÉN es apta para lavaplatos automático colocandola en la bandeja superior.

5. Para limpiarla a mano, sumergir la sartén eléctrica redonda y su tapa de vidrio en agua caliente con jabón. Limpiar a fondo utilizando una esponja o un paño suave. Enjuagar con agua caliente y secar totalmente.
6. Para las partículas de alimentos tenaces, raspar con un estropajo de plástico. Evitar frotar el acabado antiadherente, pues podría arañarse. No deben usarse estropajos metálicos, ni estropajos o limpiadores abrasivos en ninguna parte de la sartén eléctrica redonda.

Pasos para quitar manchas y cuidar correctamente el revestimiento antiadherente

1. Identifique las áreas manchadas en la superficie de cocción y coloque bicarbonato de sodio sobre las manchas.
2. Agregue agua para humedecer el bicarbonato de sodio y obtener una pasta con textura.
3. Deje reposar la pasta durante algunos minutos sobre las manchas (no más de una hora).
4. Frote con un paño húmedo y suave o pase suavemente una esponjilla de plástico, limpie y seque bien.

NOTA: No frote con fuerza cuando utilice una esponjilla de plástico y NUNCA utilice una esponjilla metálica, ya que podría dañar el revestimiento antiadherente.

5. Repita el ciclo nuevamente si fuera necesario. Las manchas no afectan el desempeño ni la propiedad antiadherente del revestimiento antiadherente

Instrucciones para guardar el aparato

1. Desenchufar el aparato y dejar que se enfríe. Nunca debe guardarse la sartén eléctrica redonda mientras esté caliente o aún enchufada.
2. Limpiar la sartén eléctrica redonda a fondo antes de guardarla.
3. Para evitar que se arañe la superficie antiadherente, colocar un papel de cocina en el fondo de la sartén. Guardar la sonda de control de temperatura dentro de la sartén eléctrica redonda, con la tapa puesta.
4. Guardar la sartén eléctrica redonda limpia en su caja o en un lugar seco y limpio.

Tabla de temperatura de cocción

ALIMENTO	TEMPERATURA (F°)	TIEMPO APROXIMADO DE COCCIÓN EN MINUTOS
FREIR		
Tocino	300°-325°	8-10
Tocino canadiense	275°-300°	3-4
Pollo	325°-350°	25-40
Huevos (fritos)	250°-275°	3-5
Huevos (revueltos)	250°-275°	3-5
Pescado	325°-375°	5-10
Tostada francesa	300°-325°	4-6
Jamón 1/2" de espesor	325°-350°	10-12
Jamón 3/4" de espesor	325°-350°	14-16
Hamburguesas 1/2" de espesor	325°-375°	8-12
Hígado	325°-350°	5-10
Bistec al minuto	375°-400°	4-5
Chuletas de cerdo 1/2" de espesor	325°-375°	15-20
Chuletas de cerdo 3/4" de espesor	325°-375°	20-25
Patata (Frita en casa)	300°-325°	10-12
Salchicha enlazada	300°-325°	20-30
Salchicha precocida	325°-350°	10-12
Sándwiches a la parrilla	300°-325°	5-10
Bistec 1" de espesor		
POCO HECHO	350°-400°	6-7
TÉRMINO MEDIO	350°-400°	10-12
Bistec 1 1/2" de espesor		
POCO HECHO	350°-400°	8-10
TÉRMINO MEDIO	350°-400°	18-20
COCIDO EN SU JUGO Y ASADO		
Dorado	325°-400°	5-10
Cocido en su jugo*	200°-225°	45-60
Asado (en parrilla)	325°-350°	60-90
GUISADO		
Dorado	325°-400°	10-15
Guisado*	200°-225°	30-90
CACEROLAS	Warm -225°	30-60
HORNEADO		
Panqueques	350°-400°	2-3
Torta horneada a ambos lados	225°-300°	25-35
CONSERVACIÓN DE TEMPERATURA		
(Después del periodo de cocción)	Warm	

* Agregue más líquido durante la cocción (si se necesita) para obtener la consistencia deseada.



Garantía limitada de DOS AÑOS

Mediante la presente, SENSIO Inc. garantiza que, durante el plazo de **DOS AÑOS** a partir de la fecha de compra, este producto no presentará defectos mecánicos en el material ni en la mano de obra, y durante 90 días, no los presentará en las piezas no mecánicas. A su entera discreción, SENSIO Inc. reparará o reemplazará el producto que resulte defectuoso, o emitirá un reembolso por el producto durante el plazo de garantía.

Esta garantía es válida únicamente para el comprador minorista original a partir de la fecha de compra minorista inicial y no es transferible. Conserve el recibo de compra original, ya que se exige una prueba de compra para obtener la validación de la garantía. Las tiendas minoristas no tienen derecho a alterar, modificar ni corregir de ninguna manera los términos y condiciones de la garantía.

EXCLUSIONES:

La garantía no cubre el desgaste normal de las piezas ni el daño ocasionado por cualquiera de las siguientes causas: uso negligente del producto, uso de un voltaje o corriente incorrectos, mantenimiento de rutina inadecuado, uso contrario al de las instrucciones de funcionamiento, desarmado, reparación o alteración a cargo de personas que no sean miembros del personal calificado de SENSIO Inc. Asimismo, la garantía no cubre actos de la naturaleza, como incendios, inundaciones, huracanes o tornados.

SENSIO Inc. no asumirá responsabilidad por daños incidentales o resultantes ocasionados por la violación de cualquier garantía expresa o implícita. Salvo en la medida en que lo prohíban las leyes aplicables, cualquier garantía implícita de comerciabilidad o aptitud para un propósito particular se limita temporalmente a la duración de la garantía. Algunos estados, provincias o jurisdicciones no permiten la exclusión ni la limitación de daños incidentales o resultantes, o limitaciones sobre la duración de una garantía implícita y, por lo tanto, es posible que las exclusiones o limitaciones mencionadas no le correspondan. La garantía cubre derechos legales específicos que pueden variar de un estado, una provincia o una jurisdicción a otros.

CÓMO OBTENER EL SERVICIO DE GARANTÍA:

Debe comunicarse con el Servicio de atención al cliente a nuestro número telefónico gratuito: 1-866-832-4843. Un representante del Servicio de atención al cliente intentará resolver los problemas referidos a la garantía por teléfono. Si este no puede resolver el problema, le proporcionarán un número de caso y le solicitarán que devuelva el producto a SENSIO Inc. Adhiera una etiqueta al producto que incluya: su nombre, dirección, número telefónico de contacto durante el día, número de caso y descripción del problema. Además, incluya una copia del recibo de compra original. Envuelva cuidadosamente el producto etiquetado con el recibo de compra, y envíelo (con el envío y el seguro prepagados) a la dirección de SENSIO Inc. SENSIO Inc. no asumirá obligación ni responsabilidad alguna por el producto devuelto que esté en el trayecto hacia el Centro de servicio al cliente de SENSIO Inc.



BellaLife



BellaLifestyle



bellahousewares.com

For customer service questions or comments
Dudas o comentarios contactar el departamento de servicio al cliente
1-866-832-4843 / help@bellahousewares.com