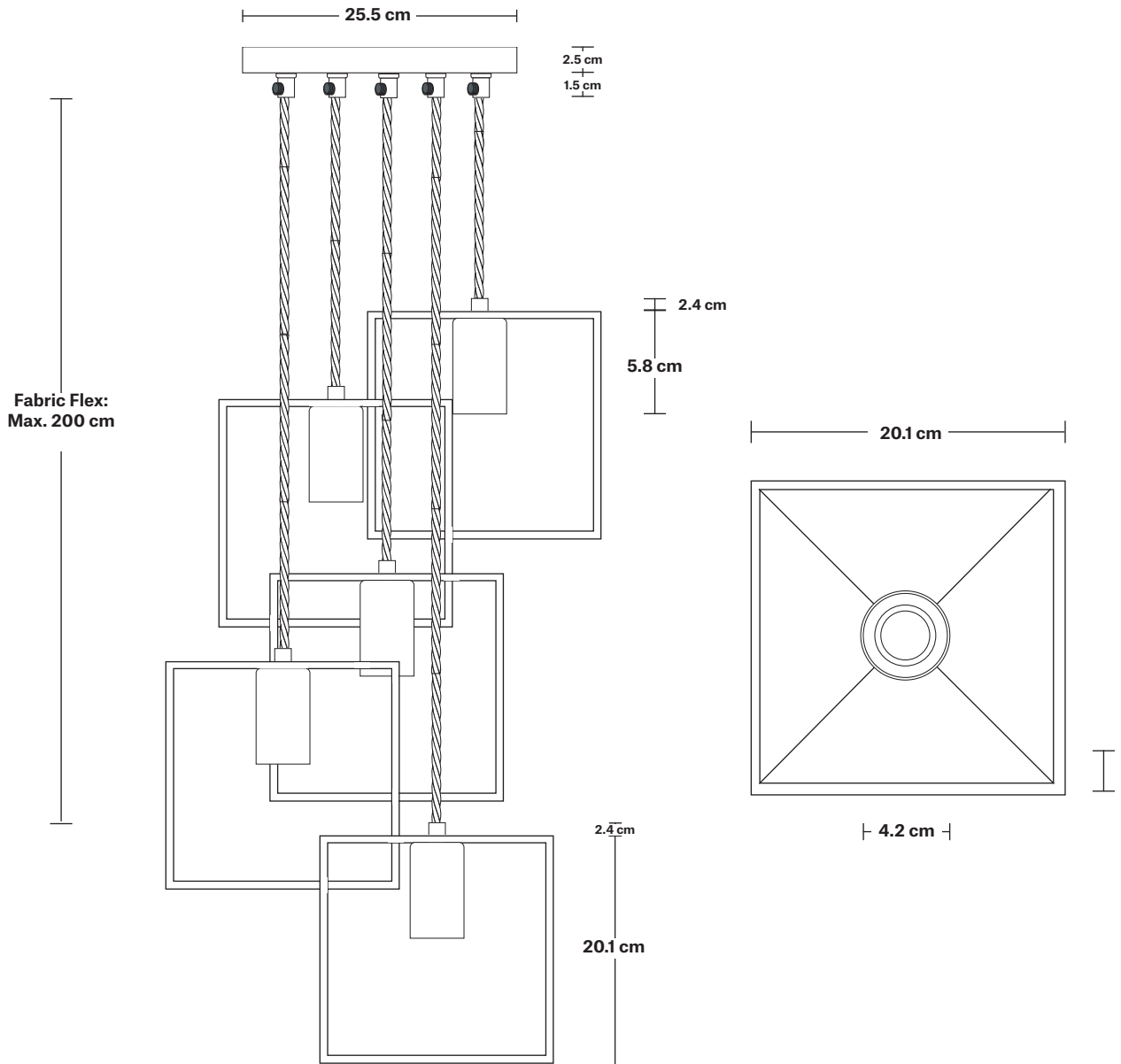


SLEEK



The Cube Collection Cluster Lights - 5 Wire

SPECIFICATIONS

We meet all UK and EU lighting and safety regulations.

Our products are hand finished to ensure an authentic vintage look and therefore they may vary slightly from those shown in the images.

Bulb Required: Standard screw (E27) fitting, max 40W.

Shade Weight: 0.78 kg

Holder Weight: 0.6 kg

Max Weight (Brass): 4.5 kg

Max Weight (Pewter): 6.12 kg

INFORMATION

Product Code: SL-CUP8-5W

Finishes: Brass, Pewter.

Ready to be installed, installation required.

Wall mount screws not included.

Flex: 2m Black Twisted Fabric Flex.

Ceiling Rose: Brass, Pewter.

DIMENSIONS

H: 21.6 cm x **W:** 20.1 cm x **D:** 20.1 cm

Bulb Holder Diameter: 4.2 cm / 1.7"

Bulb Holder Height: 8.2 cm / 3.2"

Cube Depth: 20.1 cm / 7.9"

Cube Height: 21.6 cm / 8.5"

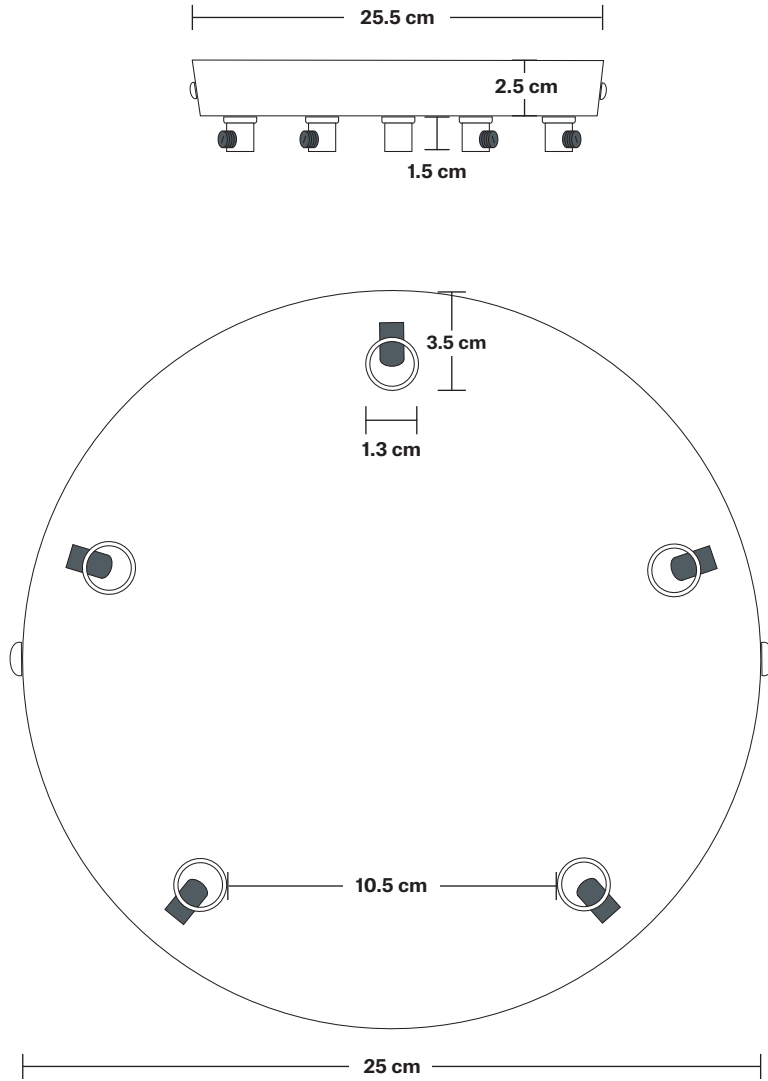
Cube Depth: 20.1 cm / 7.9"

Ceiling Rose Width: 25.5 cm / 10"

Ceiling Rose Depth: 2.5 cm / 2"

INDUSTVILLE

CEILING ROSE



Ceiling Rose - 5 Outlet

SPECIFICATIONS

We meet all UK and EU lighting and safety regulations.

Our products are hand finished to ensure an authentic vintage look and therefore they may vary slightly from those shown in the images.

Bulb Required: Standard screw (E27) fitting, max 40W.

Weight: 0.6 kg

INFORMATION

Product Code: CR50

Finishes: Brass, Pewter, Copper.

Ready to be installed, installation required.

Wall mount screws not included.

DIMENSIONS

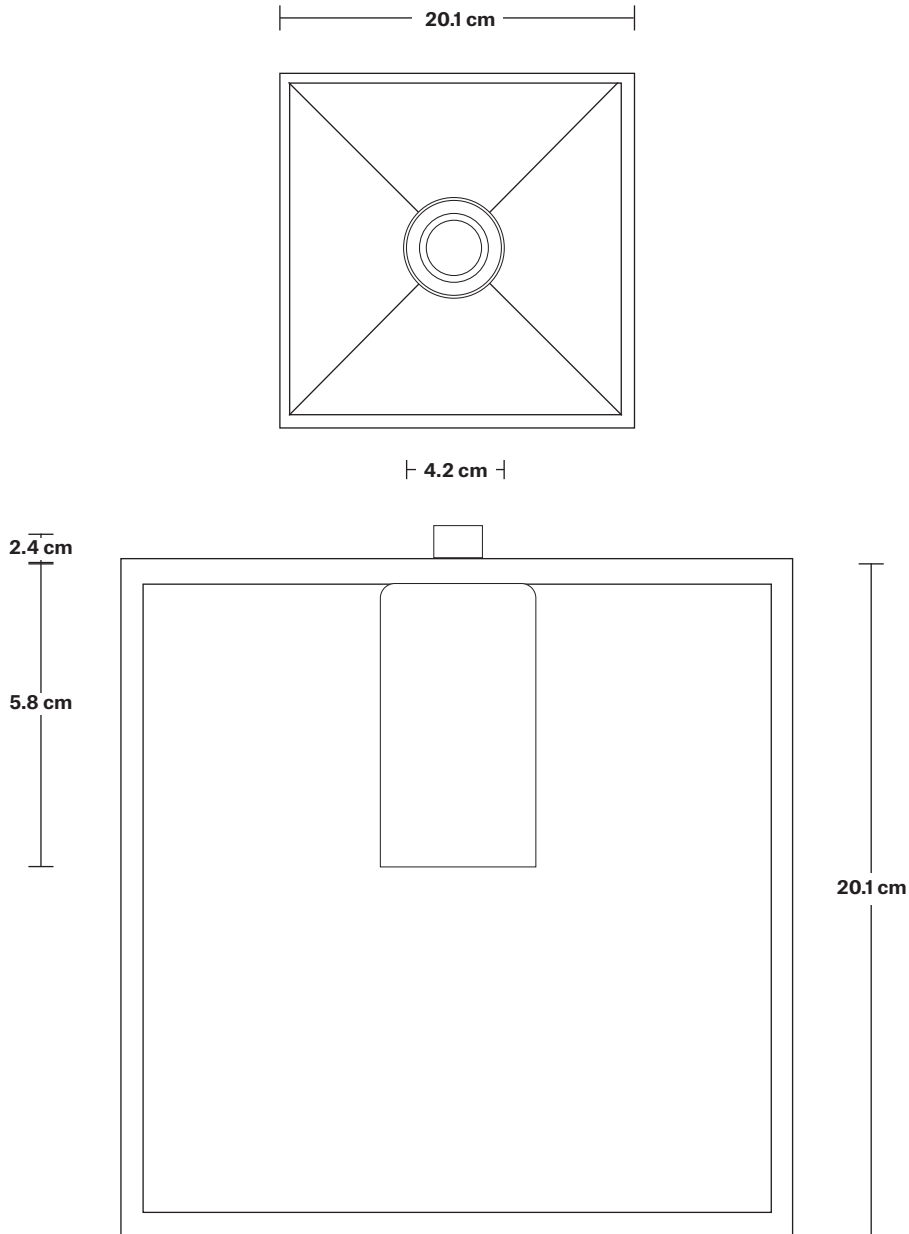
H: 4 cm x **W:** 25.5 cm x **D:** 25.5 cm

Ceiling Rose Diameter: 25.5 cm / 10"

Ceiling Rose Height: 4 cm / 1.6"

INDUSTVILLE

SHADE ONLY



Cube - 8 Inch

SPECIFICATIONS

We meet all UK and EU lighting and safety regulations.

Our products are hand finished to ensure an authentic vintage look and therefore they may vary slightly from those shown in the images.

Bulb Required: Standard screw (E27) fitting, max 40W.

Holder Weight: 0.78 kg

INFORMATION

Product Code: CU8-SO

Finishes: Brass, Pewter.

Ready to be installed, installation required.

DIMENSIONS

H: 21.6 cm x **W:** 20.1 cm x **D:** 20.1 cm

Bulb Holder Diameter: 4.2 cm / 1.7"

Bulb Holder Height: 8.2 cm / 3.2"

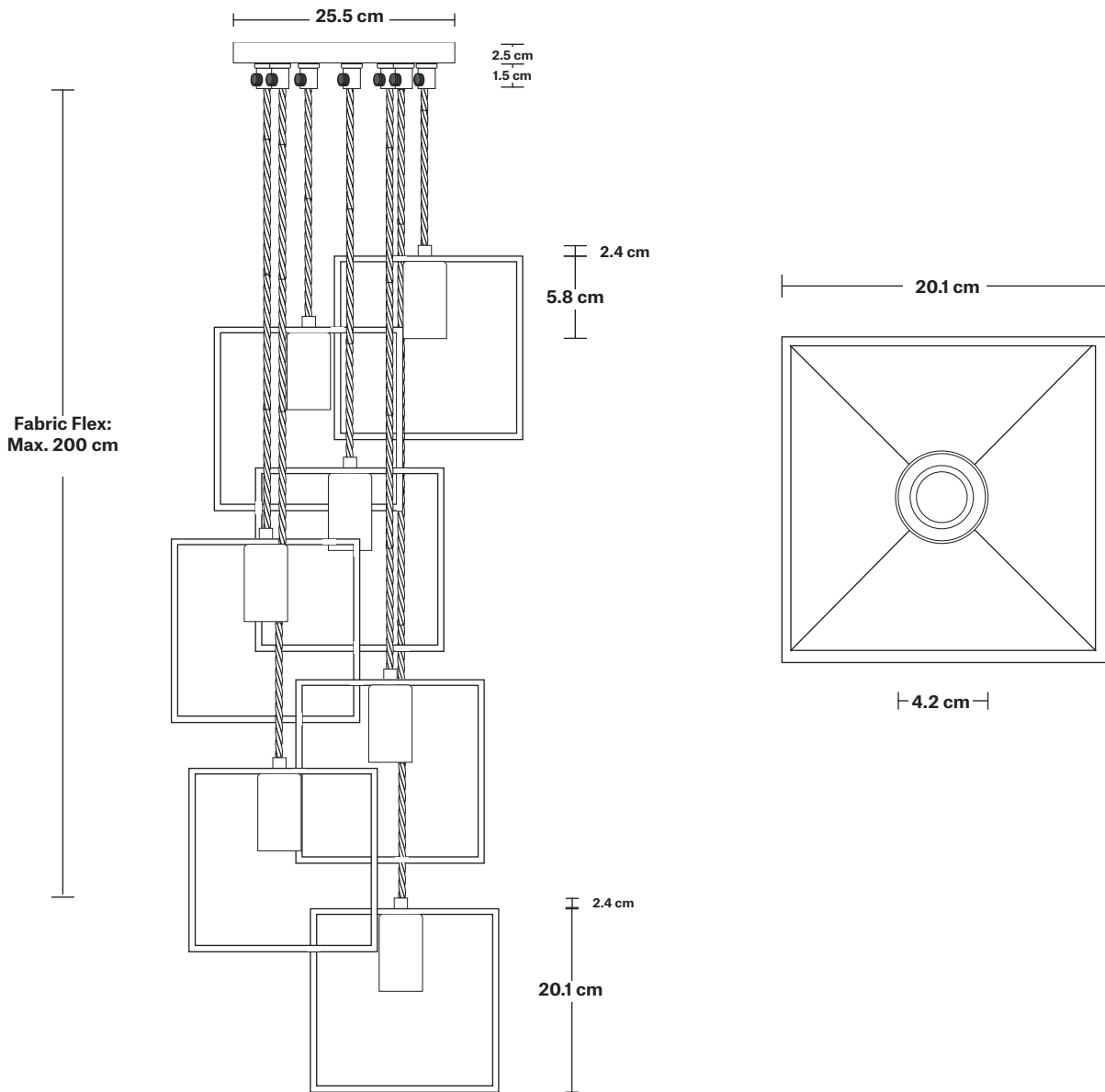
Cube Depth: 20.1 cm / 7.9"

Cube Height: 21.6 cm / 8.5"

Cube Depth: 20.1 cm / 7.9"

INDUSTVILLE

SLEEK



The Cube Collection Cluster Lights - 7 Wire

SPECIFICATIONS

We meet all UK and EU lighting and safety regulations.

Our products are hand finished to ensure an authentic vintage look and therefore they may vary slightly from those shown in the images.

Bulb Required: Standard screw (E27) fitting, max 40W.

Shade Weight: 0.78 kg

Holder Weight: 0.6 kg

Max Weight (Brass): 4.5 kg

Max Weight (Pewter): 6.12kg

INFORMATION

Product Code: SL-CUP8-7W

Finishes: Brass, Pewter.

Ready to be installed, installation required.

Wall mount screws not included.

Flex: 2m Black Twisted Fabric Flex.

Ceiling Rose: Brass, Pewter.

DIMENSIONS

H: 21.6 cm x **W:** 20.1 cm x **D:** 20.1 cm

Bulb Holder Diameter: 4.2 cm / 1.7"

Bulb Holder Height: 8.2 cm / 3.2"

Cube Depth: 20.1 cm / 7.9"

Cube Height: 21.6 cm / 8.5"

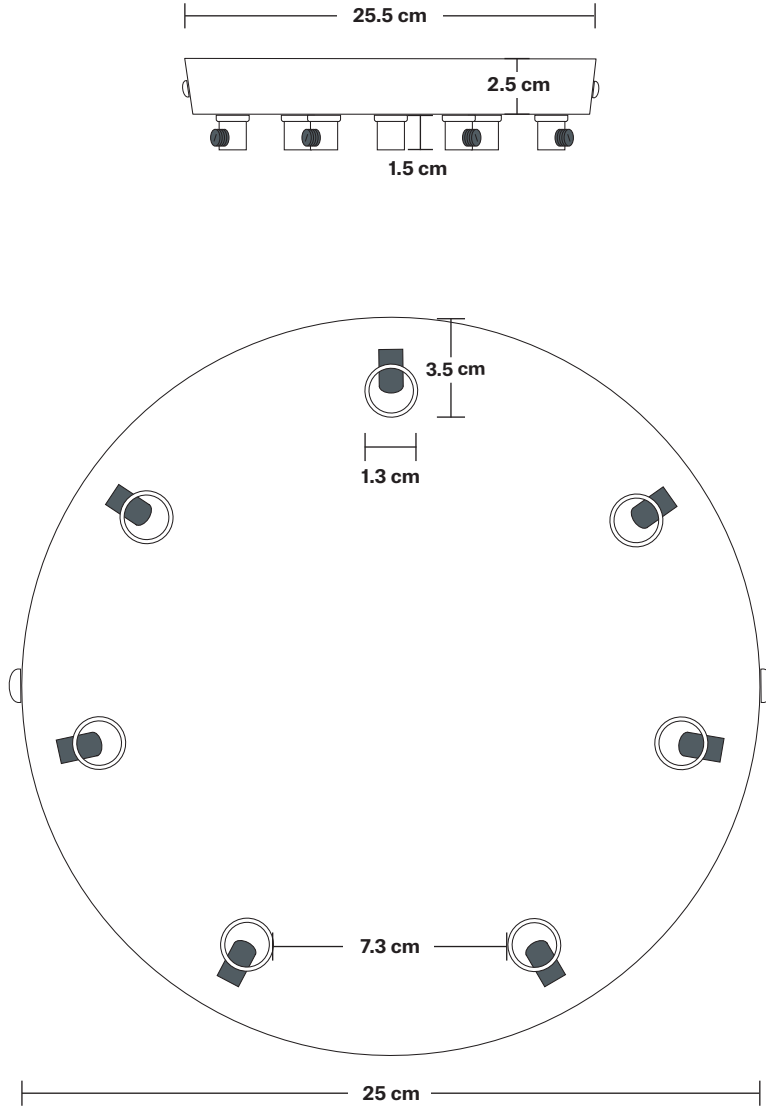
Cube Depth: 20.1 cm / 7.9"

Ceiling Rose Width: 25.5 cm / 10"

Ceiling Rose Depth: 2.5 cm / 2"

INDUSTVILLE

CEILING ROSE



Ceiling Rose - 7 Outlet

SPECIFICATIONS

We meet all UK and EU lighting and safety regulations.

Our products are hand finished to ensure an authentic vintage look and therefore they may vary slightly from those shown in the images.

Bulb Required: Standard screw (E27) fitting, max 40W.

Weight: 0.66 kg

INFORMATION

Product Code: CR70

Finishes: Brass, Pewter, Copper.

Ready to be installed, installation required.

Wall mount screws not included.

DIMENSIONS

H: 4 cm x **W:** 25.5 cm x **D:** 25.5 cm

Ceiling Rose Diameter: 25.5 cm / 10"

Ceiling Rose Height: 4 cm / 1.6"

INDUSTVILLE