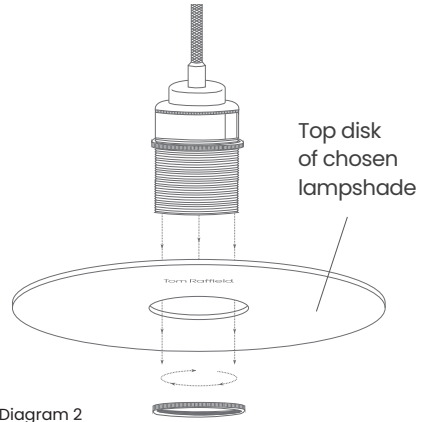
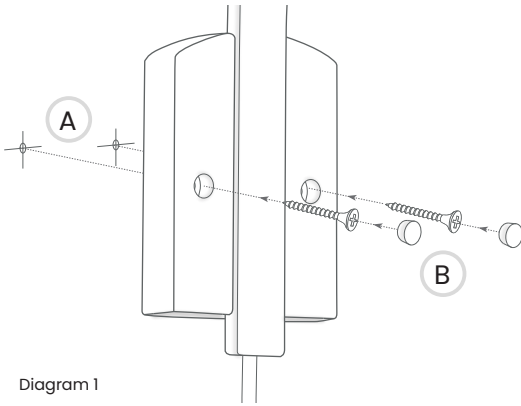


Tilow Wall Light Installation Instructions



Option 1 – In-line switch and plug.

1. Identify if there are any hidden pipes or electrical cables in the wall to avoid causing damage or risk of electrical shock during installation. Mark the wall where the light needs to be positioned and drill two holes where you have marked (A). Determine the fixing method appropriate to the wall structure and secure the back plate to the wall using the screws provided, concealing the screws with the wooden plugs provided (B). **(If you have a Tilow wall light and lampshade combination, simply attach the shade to the bulbholder once the Tilow is fixed in place as detailed in diagram 2 above.)** Screw in your chosen light bulb and plug the light into the nearest outlet. The light has been designed to work with an E27 **LED** light bulb, up to a maximum of **25 Watts**.
2. Turn the power supply on to complete installation.

Option 2 – Hard wired. Only a qualified electrician should assemble the luminaire. If in doubt, consult a suitably qualified electrician. Installation MUST be carried out in accordance and compliance with current building regulations.

Ensure the electrical supply is turned OFF at the fuse board.

1. The Tilow Wall Light can also be hardwired. This must be carried out by a qualified electrician. Cut the plug and excess wire to length before using a terminal block to connect the light to the supply, hiding excess wire and the connection block in the back plate or wall cavity.
2. Follow the steps in option 1 to complete installation.

*** If the external flexible cable or cord of this luminaire is damaged, it shall be exclusively replaced by the manufacturer or his service agent or a similar qualified person in order to avoid a hazard. ***

For more information on the installation of your product: contact@tomraffield.com +44 (0)1326 722725