

chlorine
dioxide



100, 200, 250, 500 g/h ClO₂

High capacity chlorine dioxide generators for safe, reliable and efficient generation of chlorine dioxide.

Using a unique patented process, the EASYZON D automatically draws and mixes precisely measured amounts of acid and chlorite, under vacuum, from respective chemical storage containers. The reacted chlorine dioxide solution is homogenised with a volumetrically controlled flow of cold water, prior to dispensing as a dilute solution into the integral storage tank under atmospheric pressure.

**MADE IN
BRITAIN**

PATENTED
Process technology

EASYZON D offers outstanding benefits and performance:

- Vacuum process eliminates chemical reagent dosing pumps, greatly improving reliability and reducing maintenance
- Flexibility - reagent chemicals are drawn under vacuum and may be transferred greater than 50m from remote chemical storerooms.
- Precise – reagent consumption is finely controlled by volumetric flow sensors for optimum chemical efficiency
- Easy management - remote monitoring and chemical status reporting via web or SMS messaging
- Simple to operate
- Low whole life costs

Features



- ∞ EASYZON D models available in 100, 200, 250 & 500 g/h chlorine dioxide generation capacity
- ∞ Durable, attractive, easy to clean equipment cover.
- ∞ Vivid LED background illumination with colour changing status feature.
- ∞ Easy to operate membrane keypad with code protected programming, multi-lingual menu selection, OLED display with green, amber, red LED status indicators,
- ∞ Alarm event log with real time stamp recording
- ∞ Volumetric measurement (<0.2% error) and data storage of chemical reagent consumption values
- ∞ Remote monitoring option via web or SMS for monitoring chemical reagent consumption volumes, system status, water meter usage/process volumes and fault indications.
- ∞ Skid mounted system, factory wet-tested and pre-commissioned for quick and easy installation
- ∞ Standard models with CE conformity.
- ∞ 2 year warranty



Order codes

Generator capacity

- LJED100 100g/h chlorine dioxide generator at 2000mg/l ClO₂ solution
- LJED200 200g/h chlorine dioxide generator at 2000mg/l ClO₂ solution
- LJED250 250g/h chlorine dioxide generator at 2000mg/l ClO₂ solution
- LJED500 500g/h chlorine dioxide generator at 2000mg/l ClO₂ solution

Cover

- C0 White cover hood

Power Supply

- V1 100-240Vac 50/60Hz

Communication Interface

- R0 Without comms
- R1 RS485 Modbus RTU

LJED100

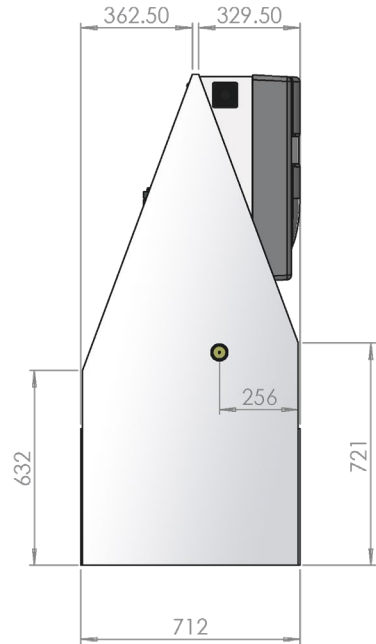
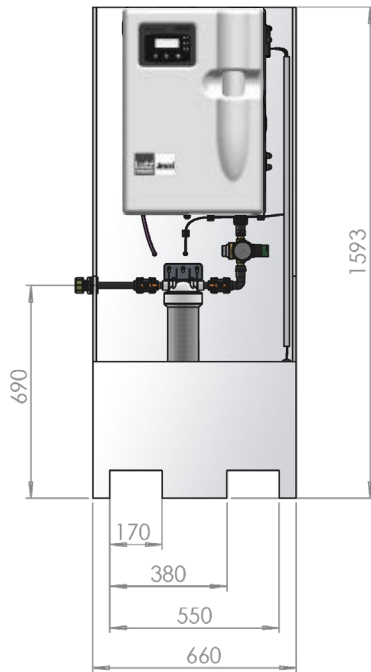
C0

V1

R0

Match code order example

Dimensions



(Fits through standard doorways)