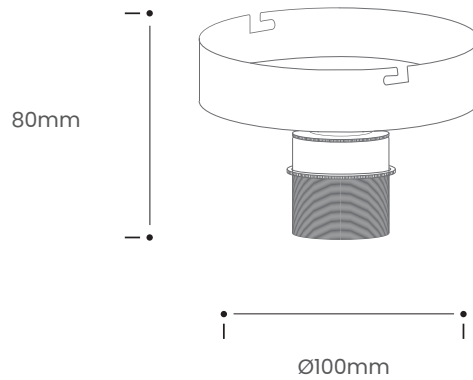


SATIN NICKEL FLUSH FITTING KIT

Product Specification



Tom Raffield

Satin Nickel Flush Fitting Kit



Tie your interior scheme together with the help of our Satin Nickel Flush Fitting Kit. Featuring a brushed steel ceiling rose and bulb holder, each kit is minimally designed and understated.

Complete the look, style your way.

Product Type : Ceiling Kit	SKU	Wood types	Dimensions L x W x H (mm)		Weight (kg)	
			Unboxed	Boxed	Unboxed	Boxed
Satin Nickel Flush Fitting Kit	PT-CLR-PS-SN-FL		Ø100 x 80	100 x 100 x 100	0.3	0.4
Materials	Brushed steel ceiling rose and bulb holder 				Other materials -	
Finish	Brushed steel finish					
Mount Specification	Brushed steel rose and bulb holder 	Ceiling/Wall kit		Flex	Reccomended light bulb	
		Rose: Ø100mm		-	Max 25W LED	
		E27 (240v)		-		
Care information	Dusting your light regularly and with a light feather duster should keep your light looking clean, otherwise wipe with a damp cloth and remove any moisture with a dry cloth. Gentle furniture polishes can also be used.					
Additional information	<ul style="list-style-type: none"> This ceiling kit can be used with some flush fitting E27 lamp shades. Suitable for use on 240v circuits. Installation instructions included. 					

Tom Raffield Ltd, F3 Church View Business Park, Bickland Water Rd, Falmouth TR11 4FZ, UK
tomraffield.com contact@tomraffield.com +44 (0) 1326 722725 #tomraffield @tomraffield

Due to the character of handcrafted natural products, all dimensions are approximate. Wood colour may slightly vary.
 All products, prices and leadtimes are correct at time of print and are subject to change without notice.