

FURRION

Aurora™ Bluetooth Soundbar

User Manual

Model: FSBNN30MSS-BL

Lippert No.: 2021123835



*Product picture is for reference only.

Welcome

Thank you and congratulations for purchasing this Furrion product. Before operating your new product, please read these instructions carefully. This user manual contains information for safe use, installation and maintenance of the product.

Please keep this user manual in a safe place for future reference. This will ensure safe use and reduce the risk of injury. Be sure to pass on this manual to new owners of this product.



The manufacturer does not accept responsibility for any damages due to not observing these instructions.

Contents

Welcome	2
Contents	3
Safety Warnings	4
Precaution	4
Safety precaution	4
Compliance	5
Important Battery Precautions	6
Care of the Environment	6
For All Products with Wireless Operation	6
Before Operation	7
What's in the box	7
Power Source	7
Prepare Your Remote Control	8
Function Overview	9
Front/Side/Back Panel of the Soundbar	9
Remote Control	10
Connection	11
Cable Management	12
Installation	13
Operation	15
General Operation	15
Bluetooth Operation	15
Troubleshooting	16
Specifications	17

Safety Warnings

Precaution

	CAUTION RISK OF ELECTRIC SHOCK DO NOT OPEN	
CAUTION: TO REDUCE THE RISK OF ELECTRIC SHOCK, DO NOT REMOVE COVER (OR BACK). NO USER-SERVICEABLE PARTS INSIDE. REFER SERVICING TO QUALIFIED SERVICE PERSONNEL.		



This 'bolt of lightning' indicates uninsulated material within your unit may cause an electrical shock.

For the safety of everyone in your household, please do not remove product covering.



The 'exclamation mark' calls attention to features for which you should read the enclosed literature closely to prevent operating an maintenance problems.

Safety precaution

1. Read these instructions.
2. Keep these instructions.
3. Heed all warnings.
4. Follow all instructions.
5. Do not install near any heat sources such as radiators, heat registers, stoves or other devices (including amplifiers) that produce heat.
6. To reduce the risk of fire or electric shock, do not expose this apparatus to rain or moisture.
7. To prevent injury, this apparatus must be securely attached to the wall in accordance with the installation instruction.
8. Only use the accessories packed with the product.
9. Refer all servicing to qualified service personnel. Servicing is required when the device has been damaged in any way, such as if objects have fallen into the device, or the device does not operate normally, or has been dropped.
10. Do not defeat the safety purpose of the polarized or grounding type plug. A polarized plug has two blades with one wider than the other. A grounding type plug has two blades and a third grounding prong. The wide blade or the third prong are provided for your safety. If the provided plug does not fit into your outlet, consult an electrician for replacement of the obsolete outlet.
11. The power cord must be routed properly to prevent people from stepping on it, or objects from resting on it. Check the cords at the plugs and product. Try to use a single, directly dedicated and rated GFI power socket for the product for safe operation.
12. Use properly rated power voltage. Use of non-rated voltage may cause fire, electric shock and severe damages to the product.
13. Do not touch power plugs with wet hands.
14. Do not disassemble the unit by yourself under any circumstances: Removal of the product cover may expose you to high voltage or other dangerous risks. Refer all servicing to a qualified service professional. Warranty will not be honored if you service the product yourself.
15. Do not touch this apparatus, antenna, power cables or power plugs during a thunder or lightning storm.
16. With your product unplugged, gently wipe the surface of the product with a damp (with water) microfiber, cotton or flannel cloth. Remove any dirt and salt deposits from the product, being careful to rinse the cloth frequently to avoid scratching the Soundbar. Avoid using harsh

Safety Warnings

- chemicals, abrasives, or solvents when cleaning any surface on the unit.
17. Any severe physical impact on the product may cause certain components to fall out of place within and break, which may cause fire or electric shock. In such event, do not operate the product. Contact the manufacturer for support.
 18. In case of product malfunction or unusual events such as electrical burning smell, smoke, or loss of content signals on Soundbar due to internal overheating, immediately turn off and unplug the power and contact the manufacturer.
 19. Adequate ventilation must be maintained to ensure reliable and continued operation and to protect the product from overheating.
 20. Do not mount this product near a motor or transformer where strong magnetism is generated.
 21. Do not place the product on an unstable place. Improper installation may cause the product to fall, resulting in potential serious personal injuries, as well as damage to the product. Follow mounting instructions properly for safe operation of the product.
 22. Do not move or transport the product with any cables (power cables, content connectivity cables) plugged in to the source devices. Damages may occur to the cables, plugs, or jointing connectors of the cables due to forcible bending and stress, which may cause damages to the waterproof seal of the product, making it subject to fire, electric shock, or shorted circuit.
 23. Do not submerge this product in water or pressure wash it. It is not designed to be submerged in water, withstand pressure washers, high-pressure water jets, or hurricane-type weather.
 24. The operation temperature for the unit is -20°C (-4°F) to $+45^{\circ}\text{C}$ ($+113^{\circ}\text{F}$).
- The storage temperature is -33°C (-27.4°F) to $+58^{\circ}\text{C}$ ($+136.4^{\circ}\text{F}$). Protect the Soundbar from damage by the extreme temperature. This is not a commercial outdoor Soundbar.
25. Mains plug is used as disconnect device and it should remain readily operable during intended use.
 26. Batteries (battery pack or batteries installed) shall not be exposed to excessive heat such as sunshine, fire or the like.

Compliance

FCC Statement

NOTE: This equipment has been tested and found to comply with the limits for a Class B digital device, pursuant to Part 15 of the FCC Rules. These limits are designed to provide reasonable protection against harmful interference in a residential installation. This equipment generates, uses and can radiate radio frequency energy and, if not installed and used in accordance with the instructions, may cause harmful interference to radio communications.

However, there is no guarantee that interference will not occur in a particular installation. If this equipment does cause harmful interference to radio or television reception, which can be determined by turning the equipment off and on, the user is encouraged to try to correct the interference by one or more of the following measures:

- Reorient or relocate the receiving antenna.
- Increase the separation between the equipment and receiver.
- Connect the equipment into an outlet on a circuit different from that to which the receiver is connected.
- Consult the dealer or an experienced radio/TV technician for help.

Safety Warnings

WARNING: Changes or modifications to this unit not expressly approved by the party responsible for compliance could void the user's authority to operate this equipment under FCC Rules.

IC Statement

This device complies with Industry Canada licence-exempt RSS standard(s). Operation is subject to the following two conditions: (1) this device may not cause interference, and (2) this device must accept any interference, including interference that may cause undesired operation of the device.

Important Battery Precautions

CAUTION: Danger of explosion if batteries are incorrectly replaced. Replace only with the same or equivalent type.

The batteries shall not be exposed to excessive heat such as sunshine, fire or the like.

WARNING:

- This device contains a button cell battery on the remote control.
- Do not ingest the battery contained within the remote control supplied with the unit as this battery represents a chemical burn hazard.
- If the coin/button cell battery is swallowed, it can cause severe internal burns in just 2 hours and can lead to death. If you think batteries might have been swallowed or placed inside any part of the body, seek immediate medical attention.
- Keep new and used batteries away from children. If the battery compartment does not close securely, stop using the product and keep it away from children.

Care of the Environment



Disposal of your old product and battery Your product is designed and manufactured with high quality materials and components, which can be recycled and reused.

- Never dispose of your product with other household waste. Please familiarize yourself with the local rules on the separate collection of electrical and electronic products and batteries.
- The correct disposal of these products helps prevent potentially negative consequences on the environment and human health.
- Your product contains batteries which cannot be disposed of with normal household waste. The battery must be recycled or disposed of properly. Contact your local waste management office for information on battery recycling or disposal.

All registered and unregistered trademarks are property of their respective owners.

CAUTION: Changes or modifications not expressly approved by the party responsible for compliance could void the user's authority to operate the equipment.

For All Products with Wireless Operation

FURRION hereby declares that this equipment is in compliance with the essential requirement and other relevant provision of Directive 2014/53/EU and RoHS 2011/65/EU Directive. The declaration of conformity may be consulted in the support section of our Website, accessible from www.furrion.com.

Before Operation

What's in the box

Unpack the box carefully and check if the following parts are included. If any parts are missed or damaged, please contact the authorized retailer where you purchased immediately.

- Soundbar x 1
- Remote control x 1 & Button battery x 1
- Coaxial cable (1.6m) x 1
- Mounting bracket x 2
- Mounting screws: #8 – $\frac{3}{8}$ " x 4; #10 – $\frac{3}{8}$ " x 2
- Quick Start Guide x 1
- Warning Card x 1
- Warranty Manual x 1

Power Source

The Soundbar is designed for use with 100-240 volt, 60 Hz AC current. Connect the power cord to a GFCI protected AC outlet with an "in-use" waterproof cover.

CAUTION:

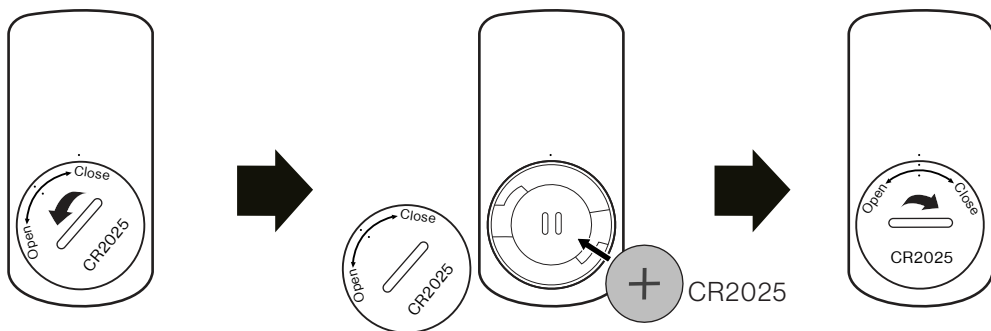
- Connection to a line voltage other than the specified voltage can create a fire hazard and may damage the unit.
- Damaged power cords should be replaced immediately by a qualified electrician with a cord that meets product specifications.
- We do not recommend to use the extension cords with this product. As with all electrical devices, do not run power cords under rugs or carpets, or place heavy objects on them.
- When this unit is not used for a long time, be sure to unplug it for the safety purpose.
- Do not plug/unplug the AC cord when your hands are wet. Doing this may cause electrical shock.

Before Operation

Prepare Your Remote Control

BATTERY INSTALLATION

- Use a tool similar as a coin to rotate the battery cover counterclockwise until it is completely removed.
- Insert the button battery (Type: CR2025) with polarity + upside to the battery compartment.
- Put the battery cover into place and rotate clockwise to close the cover tightly to ensure the best waterproof effect.



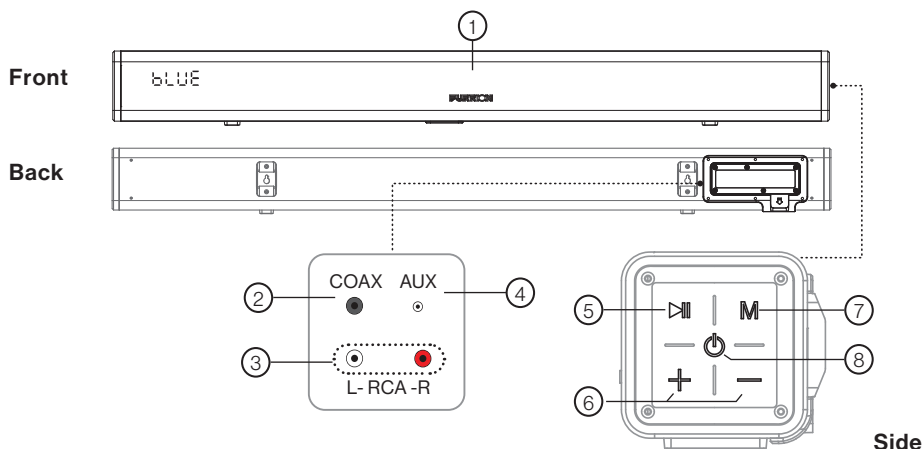
BATTERY PRECAUTIONS

These precautions should be followed when using batteries in this device:

1. Use only the size and type of batteries specified.
2. Be sure to follow the correct polarity when installing the battery in the battery compartment. Reversed batteries may cause damage to the device.
3. Improper use of a battery may cause overheating or an explosion that could result in injury or fire.
4. If the device is not to be used for a long period of time, remove the batteries to prevent damage or injury from possible battery leakage.
5. Do not ingest the battery contained within the remote control or supplied with the unit as this battery represents a chemical burn hazard.
6. Do not throw the battery into the fire.
7. To avoid the risk of accident, keep the new and used battery out of reach of children.

Function Overview

Front/Side/Back Panel of the Soundbar



- ① **Display Panel**
Display the current mode or status.

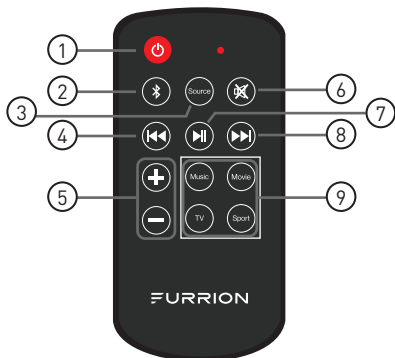
Source Input/ Mode	Display
Bluetooth input	BLUE
AUX input	AUX
RCA input	RCA
COAX input	COAX
MUSIC mode	E90
MOVIE mode	E91
TV mode	E92
SPORT mode	E93

- ② **COAX in**
Connect to the Coaxial output on your TV or other AV devices.
- ③ **RCA (L-R) in**
Connect to the audio out on your TV or other AV device.
- ④ **AUX in**
Connect to the Analog output of an external audio device.
- ⑤ **▶||**
Play and pause in Bluetooth mode.
- ⑥ **+/-**
Increase or decrease the volume.
- ⑦ **M**
Select the audio source.
- ⑧ **⏻**
Press and hold for 2s to power on/off.

NOTE: The front/back panel view will vary by different models.

Function Overview

Remote Control



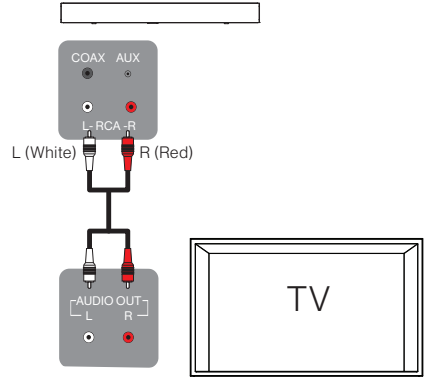
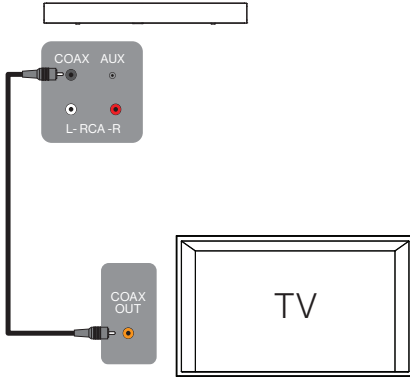
Item	Button	Function
①	⏻	Power on/off or switch to standby.
②	📶	Press it briefly to enter Bluetooth pairing mode; Press and hold it for 3 seconds to unpair the connected device, then launch pairing with a new device. * Bluetooth Name: Furrion SB 2.1
③	Source	Select an input source for the Soundbar: AUX / RCA / COAX / Bluetooth.
④	⏮	Skip to the previous track for Bluetooth or USB playback.
⑤	+ / -	Increase or decrease volume.
⑥	🔇	Mute or un-mute the Soundbar audio.
⑦	⏸	Start or pause Bluetooth or USB playback.
⑧	⏭	Skip to the next track for Bluetooth or USB playback.
⑨	Music	Select the preset EQ mode from Music/Movie/TV/Sport.
	Movie	
	TV	
	Sport	

Connection

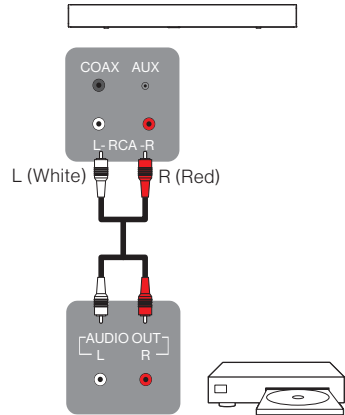
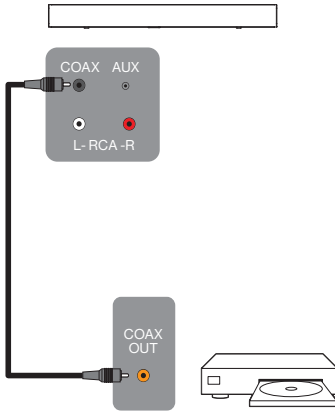
Before connecting, open the protective cover on the back of the Soundbar by removing the screws.

Warning: Disconnect power supply before you make or change any connections.

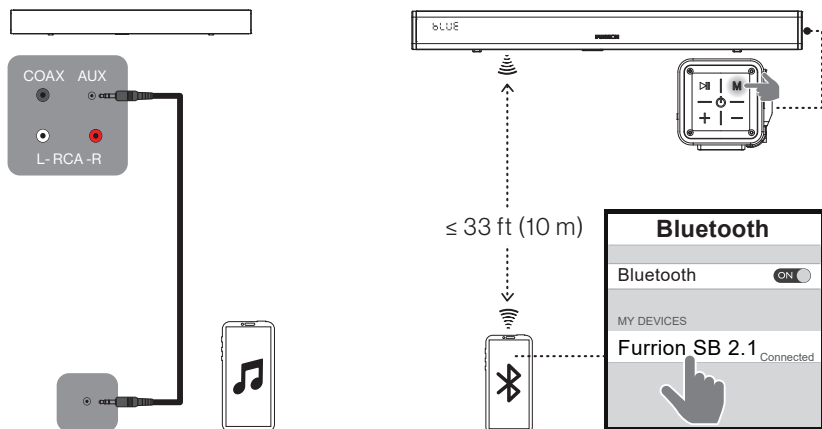
1. Connecting to your TV



2. Connecting to other devices

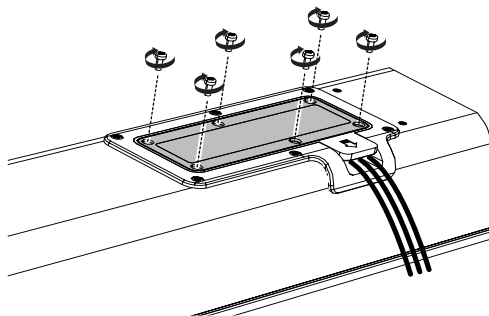


Connection



Cable Management

After the connections are completed, close the protective cover and tighten the screws for the best waterproof effect.



Installation

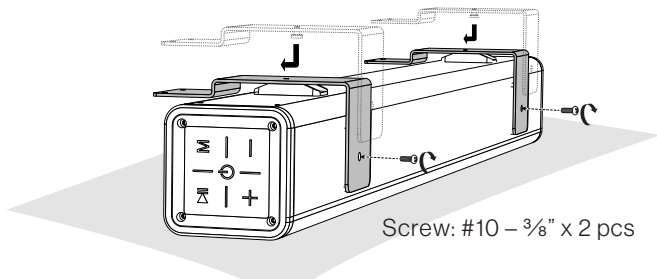
Warning:

- Screws must be tightly secured. Do not overtighten screws as the product may fall as a result of possible damages.
- Make sure the wall surface will support the combined load of the Soundbar, TV and other accessories.
- Be careful not to pinch fingers when operating the mount.
- Use at least 2 people to move or install the Soundbar to ensure no personal injury and no product damage. We recommend you to contact a professional for installation.
- During the installation, make sure the unit is powered off and unplugged. Otherwise, it may cause an electric shock.

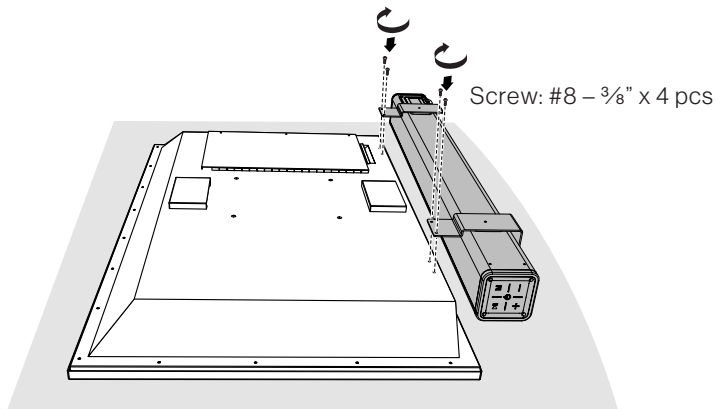
Option 1. Fix the Soundbar on the compatible Furrion Aurora™ TV

(TV Model: FDUS43CBS / FDUS55CBS / FDUS65CBS / FDUP43CBS / FDUP49CBS / FDUP55CBS / FDUP65CBS / FDUF43CBS / FDUF49CBS / FDUF55CBS / FDUF65CBS)

1. Attach the supplied mounting brackets to the rear of the Soundbar and secure with the 2 provided screws.



2. Place the outdoor TV face down on a flat and protected surface. Mount the Soundbar with brackets to the outdoor TV using the 4 provided screws. At least two people are required for installation to avoid any damage due to the heavy weight.



3. Properly wire the needed audio cables from the Soundbar to the outdoor TV.
4. Mount the outdoor TV with Soundbar to the TV mount.

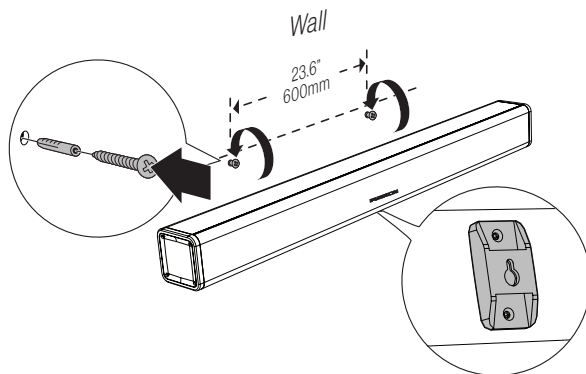
Installation

Option 2. Mount the Soundbar to wall separately

Caution : Before mounting on wall, make sure the wall can support the weight of this unit. Purchase and use the fixing screws and anchors appropriate for the type of wall (plaster board, iron board, wood, etc.) you have.

IMPORTANT: Connect all cables prior to mounting Soundbar on wall. The cable connection compartment in the rear panel will be obstructed once the Soundbar is mounted.



1. Place the Soundbar against the wall and level it.
2. Mark the two drilling holes on wall with a pencil.
3. Drill holes as marked.
4. Insert the appropriate anchors and screws into the holes.
5. Tighten the screws securely but do not overtighten.
6. Finally hook the Soundbar on the mounted screws directly.





Operation

General Operation

Power On/ Off

Press and hold  button on the Soundbar for 2s or press  on the remote control to turn the unit on. Press the button again to turn the unit off.

Mute or Unmute

Press  button on the remote control to mute the audio. Press  again to unmute.

Adjust the Volume

Press  /  button on the Soundbar or on the remote control to increase or decrease volume.

Select a Source

Press **M** button on the Soundbar or **SOURCE** button on the remote control to select AUX, RCA, COAX, Bluetooth mode. The source status will display on the LCD screen of front panel when selected. **NOTE:** The defaulted source is COAX. After the first time use, the Soundbar will display the source used for the last time.

Select EQ Mode


Press **Music /Movie/TV/Sport** button on the remote control to select different audio mode. The different mode (EQ 0/ EQ 1/ EQ 2/EQ 3) will display on the LCD screen of front panel when selected.

NOTE: The default EQ mode is **Movie mode** (EQ 1).

Bluetooth Operation

Select Bluetooth mode

Press **M** button on the Soundbar or **Source** button on the remote control once or more to select Bluetooth mode.

Press  on the remote control to enter Bluetooth mode directly.

Connect/Pair a Bluetooth device

After Bluetooth mode is selected, it will launch pairing mode automatically.

Activate the Bluetooth function on the mobile device and find the Soundbar Bluetooth name **Furion SB 2.1** from the device list to connect.

Unpair

Press and hold  on the remote control for 3s to unpair the Bluetooth.

Select a track


Press  or  on the remote control to skip to the previous or the next track.

Start or Pause playback

Press  on the remote control to start or pause playback.

Troubleshooting

Please read the user manual carefully before using the Soundbar. If you have any problems with this product, please firstly refer to the below troubleshooting guide to help you resolve the issue.

TROUBLE/ SYMPTOM	SOLUTION
Distorted sound.	Ensure the TV is muted if you play audio from the TV through the Soundbar.
	Ensure that the 3.5mm audio plug is fully inserted.
No sound.	Make sure to select the correct audio input source.
	Check whether the audio connector is damaged.
	Check whether you turned down the volume to zero.
	Ensure that the audio is not muted.
	Ensure the Soundbar is powered on.
Fail to connect a Bluetooth device.	Ensure that you select the Bluetooth as the source mode.
	Check if you enable the Bluetooth function of the device.
	Ensure that you select the right Bluetooth Name Furrion SB 2.1 on your device.
	If Bluetooth Name Furrion SB 2.1 is not present on the list, disconnect the Bluetooth on the device and launch pairing again to reconnect.
	If the Soundbar is already connected to another Bluetooth device, press and hold  on remote control to disconnect and pair with a new device.
	Ensure that the distance between the Soundbar and the connecting Bluetooth device is within 10m.
Poor audio quality from a connected Bluetooth device.	The Bluetooth reception is poor. Move the device closer to the Soundbar, or remove any obstacle between the device and the Soundbar.
Remote control does not work.	Check the battery of remote control and make sure that it is not dead.
	Direct the remote control to the IR sensor of the device.
	Check whether there are obstacles between the remote control and IR sensor.

Specifications

Item	FSBNN30MSS-BL (2.1)
Power supply	100-240VAC 1.5A 60Hz
Total power	(2 x 20W + 2 x 15W) RMS
Dimension (W x H x D)	39 7/16" x 3 1/2" x 3 1/2" (1000*88*88mm)
Input terminals	Stereo RCA Input (x 1) 3.5mm Aux Input (x 1) Coax Input (x 1): Support and comply with PCM format.
Frequency response	40Hz-18KHz
S/N ratio (Audio 1KHz 0dB)	65dB
Bluetooth Version	V4.2 (A2DP/AVRCP)
Bluetooth Name	Furrion SB 2.1



Furrion Innovation Center & Institute of Technology

- 52567 Independence Ct., Elkhart, IN 46514, USA ● Toll free:1-800-789-3341
- Email: support@furrion.com

©2007-2022 Furrion Ltd. Furrion® and the Furrion logo are trademarks licensed for use by Furrion Ltd. and registered in the U.S. and other countries.

For Patent Info: www.furrion.com/pages/patents

FURRIION.COM

IM-FHA00084 V2.0