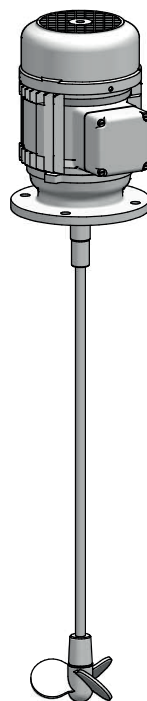


## Electrical agitator

### Operating instructions



Read the operating manual!

The user is responsible for installation and operation related mistakes!



## Table of Contents

<b>1</b>	<b>Notes for the Reader</b> .....	4
1.1	General non-discrimination .....	4
1.2	Explanation of the signal words .....	4
1.3	Explanation of the warning signs .....	4
1.4	Identification of warnings .....	4
1.5	Identification of action instructions .....	4
<b>2</b>	<b>Safety</b> .....	5
2.1	General warnings .....	5
2.2	Hazards due to non-compliance with the safety instructions .....	5
2.3	Working in a safety-conscious manner .....	5
2.4	Personal protective equipment .....	5
2.5	Personnel qualification .....	6
<b>3</b>	<b>Intended use</b> .....	7
3.1	Notes on product warranty .....	7
3.2	Intended purpose .....	7
3.3	Principles .....	7
3.4	Prohibited dosing media .....	7
3.5	Foreseeable misuse .....	7
<b>4</b>	<b>Product description</b> .....	9
4.1	The function of the product .....	9
4.2	Technical data .....	9
4.3	Dimensions .....	10
4.4	Structure of the electrical agitator .....	10
4.5	Rating plate .....	10
<b>5</b>	<b>Installation</b> .....	11
<b>6</b>	<b>Electrical installation</b> .....	12
6.1	Drive motor connection .....	12
<b>7</b>	<b>Storage</b> .....	13
<b>8</b>	<b>Disposal</b> .....	13
<b>9</b>	<b>EU Declaration of Conformity of the electrical agitator</b> ...	14
<b>10</b>	<b>Declaration of no objection</b> .....	15
<b>11</b>	<b>Warranty claim</b> .....	16
<b>12</b>	<b>Index</b> .....	17

# 1 Notes for the Reader

These Operating instructions contain information and behaviour rules for safe and designated operation of the Electrical agitator.

Observe the following principles:

- Read the entire operating manual prior to starting-up the device.
- Ensure that everyone who works with or on the electrical agitator has read the operating manual and follows it.
- Keep the operating manual throughout the service life of the electrical agitator.
- Pass on the operating manual to any subsequent owner of the electrical agitator.

## 1.1 General non-discrimination

In this operating manual, only the male gender is used where grammar allows gender allocation. The purpose of this is to make the text easy to read. Men and women are always referred to equally. We would like to ask female readers for understanding of this text simplification.

## 1.2 Explanation of the signal words






Different signal words in combination with warning signs are used in this operating manual. Signal words illustrate the gravity of possible injuries if the risk is ignored:

Signal word	Meaning
DANGER!	Refers to imminent danger. Ignoring this sign may lead to death or the most serious injuries.
WARNING	Refers to a potentially hazardous situation. Failure to follow this instruction may lead to death or severe injuries.
CAUTION	Refers to a potentially hazardous situation. Failure to follow this instruction may lead to minor injury or damage to property.
PLEASE NOTE	Refers to a danger which, if ignored, may lead to risk to the machine and its function.

Tab. 1: Explanation of the signal words

## 1.3 Explanation of the warning signs

Warning signs represent the type and source of a danger:

Warning sign	Type of danger
	General danger zone
	Danger of electric shock
	Danger of caustic or other burns
	Danger of automatic start up
	Danger of damage to machine or functional influences

Tab. 2: Explanation of the warning signs

## 1.4 Identification of warnings

Warnings are intended to help you recognise risks and avoid negative consequences.

This is how warnings are identified:

Warning sign	SIGNAL WORD
<b>Description of danger.</b>	
Consequences if ignored.	
⇒ The arrow signals a safety precaution to be taken to eliminate the danger.	

## 1.5 Identification of action instructions

This is how pre-conditions for action are identified:

- ✓ Pre-condition for action which must be met before taking action.
- ✘ A resource such as a tool or auxiliary materials required to perform the operating instructions.

This is how instructions for action are identified:


- ➔ Separate step with no follow-up action.
- 1. First step in a series of steps.
- 2. Second step in a series of steps.
  - ▶ Result of the above action.
- ✓ **Action completed, aim achieved.**


## 2 Safety


### 2.1 General warnings


The following warnings are intended to help you eliminate the dangers that can arise while handling the device. Risk prevention measures always apply regardless of any specific action.


Safety instructions warning against risks arising from specific activities or situations can be found in the respective sub-chapters.


	<b>DANGER!</b>
<p><b>Mortal danger from electric shock!</b></p> <p>Wrongly connected or located cables or damaged ones can injure you.</p> <ul style="list-style-type: none"> <li>⇒ Only connect the device to an earthed power supply.</li> <li>⇒ Replace damaged cables without delay.</li> <li>⇒ Do not use extension cables.</li> <li>⇒ Do not bury cables.</li> <li>⇒ Secure cables to avoid being damaged by other equipment.</li> </ul>	

	<b>WARNING</b>
<p><b>Danger from unsuitable materials</b></p> <p>The materials of the electrical agitator must be suitable for the dosing medium that is used. Should this not be the case, the media may leak.</p> <ul style="list-style-type: none"> <li>⇒ Make sure that the materials you are using are suitable for the dosing medium.</li> </ul>	

	<b>WARNING</b>
<p><b>Danger of automatic start up!</b></p> <p>After connecting the mains supply, dosing media can spray out.</p> <ul style="list-style-type: none"> <li>⇒ Before connecting the mains supply, connect the container.</li> </ul>	

	<b>WARNING</b>
<p><b>Chemical burns or other burns through dosing medium!</b></p> <p>You may come into contact with the dosing medium when working on the installation.</p> <ul style="list-style-type: none"> <li>⇒ Use sufficient personal protective equipment.</li> <li>⇒ Rinse the installation with a non-dangerous liquid (e.g. water) Ensure that the liquid is compatible with the dosing medium.</li> <li>⇒ Never look into open container.</li> </ul>	

	<b>CAUTION</b>
<p><b>Danger when changing the dosing medium!</b></p> <p>Changing the medium can provoke unexpected reactions, damage to property and injury.</p> <ul style="list-style-type: none"> <li>⇒ Clean the electrical agitator and the other system parts in contact with the media thoroughly before changing the dosing medium.</li> </ul>	

	<b>CAUTION</b>
<p><b>Increased risk of accidents due to insufficient qualification of personnel!</b></p> <p>Electrical agitators may only be installed, operated and maintained by personnel with sufficient qualifications. Insufficient qualification will increase the risk of accidents.</p> <ul style="list-style-type: none"> <li>⇒ Ensure that all action is taken only by personnel with sufficient and corresponding qualifications.</li> <li>⇒ Prevent access to the system for unauthorised persons.</li> </ul>	

### 2.2 Hazards due to non-compliance with the safety instructions

Failure to follow the safety instructions may endanger not only persons, but also the environment and the device.

The specific consequences can be:

- Failure of major unit and installation functions
- Failure of required maintenance and repair methods
- Danger for individuals through dangerous media
- Danger to the environment caused by substances leaking from the system

### 2.3 Working in a safety-conscious manner




Besides the safety instructions specified in this operating manual, further safety rules apply and must be followed:

- Accident prevention regulations
- Safety and operating provisions
- Safety provisions for handling dangerous substances (mostly the safety data sheets to dosing medium)
- Environmental protection provisions
- Applicable standards and legislation

### 2.4 Personal protective equipment

Based on the degree of risk posed by the dosing medium and the type of work you are carrying out, you must use corresponding protective equipment. Read the Accident Prevention Regulations and the Safety Data Sheets to the dosing media find out what protective equipment you need.

You will require the minimum of the following personal protective equipment:

Personal protective equipment required	
	Protective goggles
	Protective clothing
	Protective gloves

Tab. 3: Personal protective equipment required

Wear the following personal protective equipment when performing the following tasks:

- Commissioning
- Working on the electrical agitator during operation
- Shut-down
- Maintenance work
- Disposal

## 2.5 Personnel qualification

Any personnel who work on the electrical agitator must have appropriate special knowledge and skills.

Anybody who works on the electrical agitator must meet the conditions below:

- Attendance at all the training courses offered by the owner
- Personal suitability for the respective activity
- Sufficient qualification for the respective activity
- Training in how to handle the electrical agitator
- Knowledge of safety equipment and the way this equipment functions
- Knowledge of this operating manual, particularly of safety instructions and sections relevant for the activity
- Knowledge of fundamental regulations regarding health and safety and accident prevention

All persons must generally have the following minimum qualification:

- Training as specialists to carry out work on the electrical agitator unsupervised
- Sufficient training that they can work on the electrical agitator under the supervision and guidance of a trained specialist

These operating instructions differentiate between these user groups:

### 2.5.1 Specialist staff

Thanks to their professional training, knowledge, experience and knowledge of the relevant specifications, specialist staff are able to perform the job allocated to them and recognise and/or eliminate any possible dangers by themselves.

### 2.5.2 Trained electricians

Due to their professional training, knowledge and experience as well as knowledge of specific standards and provisions, trained electricians are able to do the electrical work assigned to them and to recognise and avoid any potential dangers by themselves.

They are specially trained for their specific working environment and are familiar with relevant standards and provisions.

They must comply with the legally binding regulations on accident prevention.

### 2.5.3 Trained electricians with additional qualification for explosion protection

Trained electricians with additional qualification for explosion protection fulfil the criteria to act as a competent person to meet all the special requirements needed when working in explosive risk areas.

They are specially trained for their work environment in explosive risk areas and know all the relevant standards and regulations.

Above all, they have the required specialist knowledge about explosion protection like, for example, ignition protection classes, flash points, density ratios, zoning, device categories, temperature classes etc.

### 2.5.4 Trained persons

Trained persons have received training from the operator about the tasks they are to perform and about the dangers stemming from improper behaviour.

In the table below you can check what qualifications are the pre-condition for the respective tasks. Only people with appropriate qualifications are allowed to perform these tasks!

Qualification	Activities
Specialist staff	<ul style="list-style-type: none"> <li>■ Assembly</li> <li>■ Maintenance</li> <li>■ Repairs</li> <li>■ Commissioning</li> <li>■ Taking out of operation</li> <li>■ Disposal</li> <li>■ Fault rectification</li> </ul>
Trained electricians	<ul style="list-style-type: none"> <li>■ Electrical installation</li> <li>■ Installing the electric servomotor</li> <li>■ Rectifying electrical faults</li> </ul>
Trained persons	<ul style="list-style-type: none"> <li>■ Storage</li> <li>■ Transportation</li> <li>■ Control</li> <li>■ Fault rectification</li> </ul>

Tab. 4: Personnel qualification

## 3 Intended use

### 3.1 Notes on product warranty

Any non-designated use of the product can compromise its function or intended protection. This leads to invalidation of any warranty claims!

Please note that liability is on the side of the user in the following cases:

The electrical agitator is operated in a manner which is not consistent with this operating manual, particularly the safety instructions, handling instructions and the section "Intended use".

- if people operate the product who are not adequately qualified to carry out their respective activities.
- No original spare parts or accessories are used.
- Unauthorised changes are made to the device.
- The user uses different media than those indicated in the order.
- The user does not use media under the conditions agreed with the manufacturer such as modified concentration, density, temperature, contamination, etc.

### 3.2 Intended purpose

The electrical agitator is intended for the following purpose only:

Mixing emulsions and suspensions and dissolving powdery or liquid additives in a liquid medium.

### 3.3 Principles

- Comply with the information regarding the operating and environmental conditions (see chapter "4.2 Technical data" on page 9).
- Any restrictions regarding the viscosity, temperature and density of the media must be followed. You must only use media at temperatures above freezing point or below the boiling point of the respective medium.
- The materials of the agitator and of the hydraulic parts of the system must be suitable for the dosing medium used. In this connection, note that the resistance of these components can change in dependence on the temperature of the media and the operating pressure.
- The electrical agitator is not intended for outdoor use unless appropriate protective measures have been taken.



Information on the suitability of materials combined with different media can be found in the Compatibility Chart of the manufacturer.

The information in this resistance list is based on information from the material manufacturers and on expertise obtained from handling the materials.

As the durability of the materials depends on many factors, this list only constitutes initial guidance on selecting material. In all cases, test the equipment with the chemicals you use under operating conditions.

- Avoid leaks of liquids and dust into the casing and avoid direct exposure to sunlight.
- You must never operate electrical agitators in a potentially explosive atmosphere if they do not have corresponding nameplates or an appropriate EC Declaration of Conformity for potentially explosive at-

mospheres.

### 3.4 Prohibited dosing media

The electrical agitator must not be used for these media and substances:

- Gaseous media
- Radioactive media
- Solid substances
- Flammable media, if adequate protective measures are not taken

### 3.5 Foreseeable misuse

Below, there is information about the applications of the electrical agitator or associated equipment that are not considered to be intended use. This section is intended to allow you to detect possible misuse in advance and to avoid it.

Foreseeable misuse is assigned to the individual stages of the product lifetime:

#### 3.5.1 Incorrect assembly

- Unstable or unsuitable bracket
- Electrical agitator bolted wrongly or loosely

#### 3.5.2 Incorrect electrical installation

- Connecting the mains voltage without a protective earth
- Unsecured mains or one that does not conform to standards
- Not possible to immediately or easily disconnect the power supply
- Wrong connecting cables for mains voltage
- Protective earth removed

#### 3.5.3 Incorrect start-up

- Start-up with damaged system
- Personnel was not informed before the start-up
- System was recommissioned after maintenance without all the protective equipment and fixtures, etc. being reconnected.
- Inadequate protective clothing or none at all

#### 3.5.4 Incorrect operation

- Protective equipment not functioning correctly or dismantled
- Unauthorised modification of the electrical agitator
- Ignoring operational disturbances
- Elimination of operational disturbances by personnel without adequate qualifications
- Deposits on the rotor due to inadequate purging, particularly with suspensions
- Bridging the external fuse
- Operation made more difficult due to inadequate lighting or machines that are difficult to access
- Mixing media for which the system is not designed
- Inadequate protective clothing or none at all

### 3.5.5 Incorrect maintenance

- Carrying out maintenance during ongoing operation
- Carrying out work that is not described in the operating manual
- No adequate or regular inspection of correct functioning
- No replacement of damaged parts or cables with inadequate insulation
- No securing against reactivation during maintenance work
- Using cleaning materials that can cause reactions with the dosing media
- Inadequate cleaning of the system
- Unsuitable purging medium
- Unsuitable cleaning materials
- Detergents left in system parts
- Using unsuitable cleaning equipment
- Using the wrong spares or lubricants
- Contaminating the medium with lubricant
- Installing spare parts without following the instructions in the operating manual
- Blocking venting orifices
- Pulling off sections of the plant
- Not reconnecting all the lines
- Damaging or not installing all the seals
- Not renewing seals
- Not paying attention to safety data sheets
- Inadequate protective clothing or none at all

### 3.5.6 Incorrect decommissioning

- Not completely removing the medium
- Device not disconnected from the power supply
- Using the wrong dismantling tools
- Inadequate protective clothing or none at all

### 3.5.7 Incorrect disposal

- Incorrect disposal of the medium, operating resources and other materials
- No labelling of hazardous substances



## 4 Product description

### 4.1 The function of the product

Agitators are valuable auxiliary equipment deployed in dosing technology to achieve homogeneous dosing media. Electrical agitators are essential in dissolving powdery or poorly dilutable, liquid additives. Suspensions must be circulated constantly, or at least periodically so that the material distribution remains homogeneous. Timer switching or synchronous switching of the metering pump operation can be used. Agitators must be secured against running dry.

The agitators are fitted with a three-blade propeller. This is fixed to the shaft with right-hand threads. This means that when looking at the motor fan, the rotation direction has been determined as clockwise, to prevent the propeller from working loose. The propeller blade inclines leftwards, so that the material to be mixed is transported towards the floor. The agitator is selected according to whether easily soluble materials are entered or a poorly mixable emulsion or suspension is to be stabilized. The latter task requires a greater power input for the same container size and possible continuous operation instead of intermittent operation.

### 4.2 Technical data

Information		Value
Recycling capacity	m <sup>3</sup> /h	40 – 60
Materials	Mixing shaft	1.4435 or 1.4435 with a PE coating
	Mixing impeller, hub	PVDF, 1.4571
Diameter of the mixing impeller	mm	100/125/150
Voltage supply	Three-phase motor	230/400 V 50 Hz 0,12 or 0,25 kW
		230/400 V 50 Hz 0,37 or 0,75 kW
	AC motor	230 V 50 Hz 0,09 or 0,18 kW
Motor speed	1/min	1400
Protection class		IP55
Suction connection	Three-phase motor	without
	AC motor	1.5 m with shockproof earthing-pin plug
Max. viscosity	mPas	50

Tab. 5: Technical data electrical agitator

### 4.3 Dimensions

All dimensions in mm

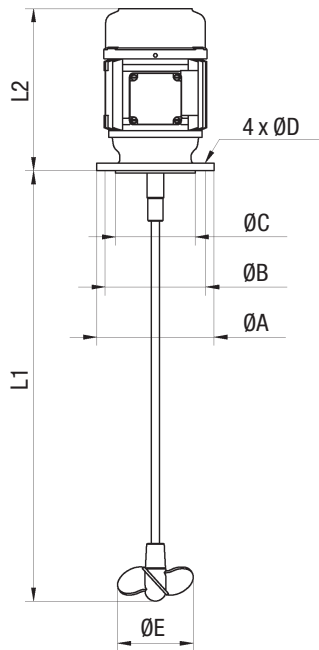


Fig. 1: Dimensioned drawing electrical agitator

Motor size	A	B	C	D	E	L1	L2
63 (0,09 and 0,12 kW)	140	115	95	4 x 9.5	100	500 – 1000	~195
71 (0.18 kW)	160	130	110	4 x 9			~176
71 (0.25 kW)	160	130	110	4 x 9.5			~200
71 (0.37 kW)	160	130	110	4 x 9	125	1000 – 1200	~215
80 (0.75 kW)	200	165	130	4 x 11	150	1200	~265

Tab. 6: Dimensions

### 4.4 Structure of the electrical agitator

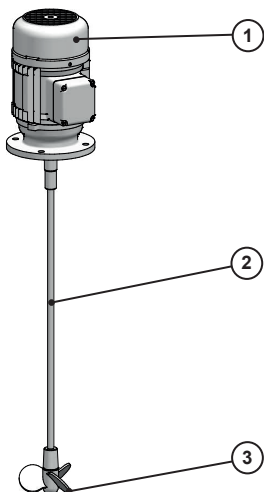


Fig. 2: Design Electrical agitator

No.	Description
1	Electric motor
2	Mixing shaft
3	Mixing blade

Tab. 7: Designation of components

### 4.5 Rating plate

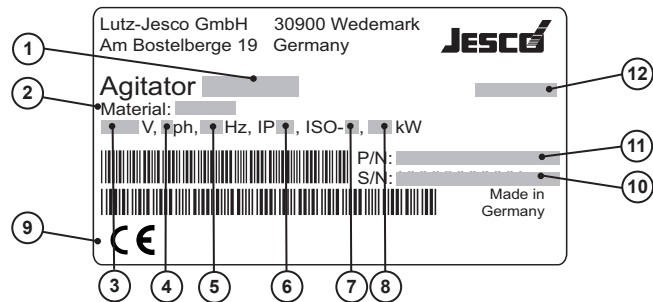


Fig. 3: Rating plate

No.	Description
1	Product, type
2	Material
3	Voltage supply
4	Number of phases
5	Frequency
6	Protection class
7	Insulation class
8	Power output
9	CE certificate
10	Serial number
11	Part number
12	Month/year of manufacture

Tab. 8: Rating plate

## 5 Installation

The agitator should not be fitted centrally in the container, so as to minimize the development of vortices. The vortex which develops during mixing must not permit air to enter the suction line so as to prevent a negative influence on the dosing. Install the suction line as far away from the electrical agitator as is possible.

The installed suction lines must be rigid, as a flexible line can become wound around the agitator shaft.

We recommend installing a flow breaker in the container. Ideally, this would be installed in front of the suction line so that the vortex flow does not influence the suction line.

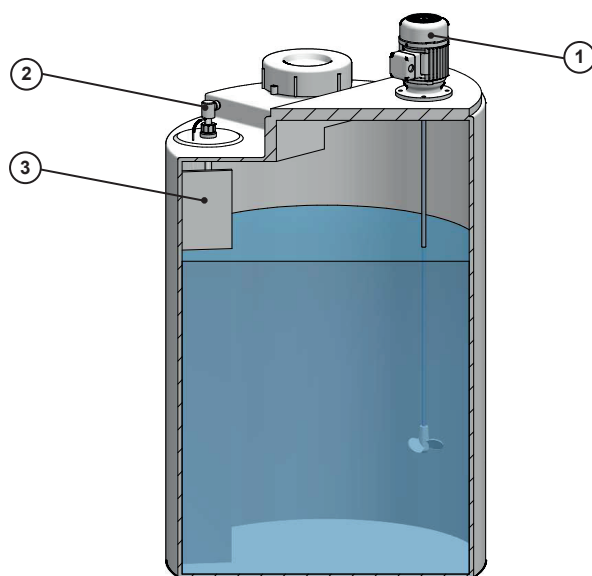
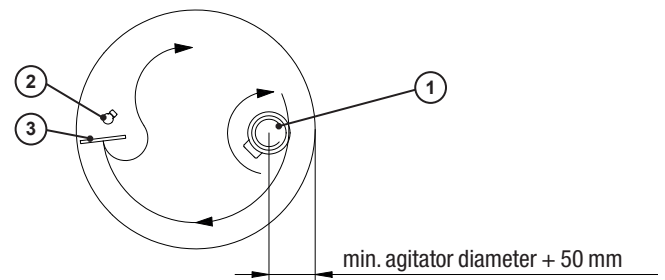
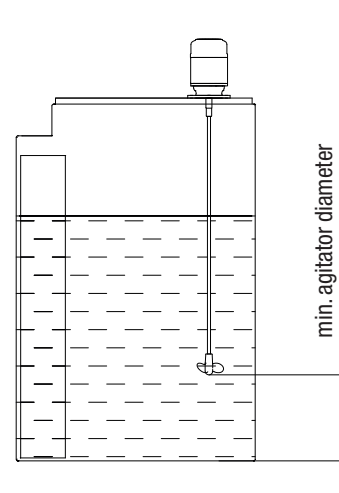


Fig. 4: Installation example of the electrical agitator

No.	Description
1	Electrical agitator
2	Suction line
3	Flow breaker

Tab. 9: Designation of components



## 6 Electrical installation

**DANGER!**

**Mortal danger from electric shock!**

If there is an electrical accident, you must disconnect the electrical agitator from the mains as quickly as possible.

⇒ Install an emergency stop switch or integrate the electrical agitator into the system safety concept.

**CAUTION**

**Danger of automatic start up!**

The electrical agitator does not have an ON/OFF switch and may start to work as soon as it is connected to the mains supply. This means that dosing medium can escape. Depending on the type and hazardousness of the dosing medium, this can result in damage to property or to injury.

⇒ Install an emergency stop switch or integrate the electrical agitator into the system safety concept.

**PLEASE NOTE**

**Damage due to incorrect mains voltage**

The electrical agitator will get damaged if you connect it to the incorrect mains voltage.

⇒ Observe the information on the mains supply that is given on the rating plate.

Safety instructions for installation in a potentially explosive atmosphere:

**DANGER!**

**Danger to life through explosions!**

Explosions may result which could result in fatal injuries.

⇒ Earth the electrical agitator.

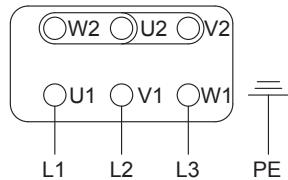
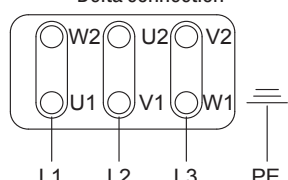
### 6.1 Drive motor connection

- The electrical connection comply with local regulations.
- Cable type and cross-section of the supply lines must be chosen according to the motor data.
- We recommend using gland connections with strain-relief clamp.
- The required protection degree must be ensured by installing the connections professionally.
- The motor must be protected by a suitable motor protection switch.
- The dosing pump must be earthed via a PE conductor for the connection to the termination box.
- If an ATEX certified motor is being used, you must also observe the en-

closed motor operating instructions.

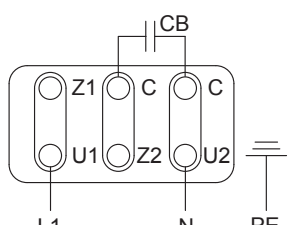
- The motor must be connected to the termination box in accordance with the circuit diagram.

#### 6.1.1 Three-phase motors

Connection	Phases
Star connection 	3ph
Delta connection 	3ph

Tab. 10: Three-phase motors circuit diagrams

#### 6.1.2 AC motors

Connection	Phases
	1ph

Tab. 11: Alternating current motor circuit diagrams

## 7 Storage

Storing the electrical agitator correctly will extend its service life. You should avoid negative influences such as extreme temperatures, high humidity, dust, chemicals, etc.

Ensure ideal storage conditions where possible:

- The storage place must be cold, dry, dust-free and moderately ventilated.
- Temperatures between + 2 °C and + 40 °C (for PP and PVDF dosing heads, between + 2 °C and + 60 °C)
- Relative air humidity must not exceed 90 %

## 8 Disposal

- The waste unit must be thoroughly cleaned. Any dangerous dosing media must be additionally neutralised and decontaminated.
- Any residual dosing media must be removed in a professional manner.
- The electrical agitator must be disposed of in accordance with applicable local laws and regulations. The device does not belong to household waste!
- As the disposal regulations may differ from country to country in the European Union, please consult your supplier if necessary.

## 9 EU Declaration of Conformity of the electrical agitator



### (DE) EU-Konformitätserklärung

Hiermit erklären wir, dass das nachfolgend bezeichnete Gerät aufgrund seiner Konzipierung und Bauart sowie in der von uns in Verkehr gebrachten Ausführung den einschlägigen grundlegenden Sicherheits- und Gesundheitsanforderungen der aufgeführten EU-Richtlinien entspricht. Bei einer nicht mit uns abgestimmten Änderung am Gerät verliert diese Erklärung ihre Gültigkeit.

### (EN) EU Declaration of Conformity

We hereby certify that the device described in the following complies with the relevant fundamental safety and sanitary requirements and the listed EU regulations due to the concept and design of the version sold by us.

If the device is modified without our consent, this declaration loses its validity.

### (FR) Déclaration de conformité UE

Nous déclarons sous notre propre responsabilité que le produit ci-dessous mentionné répond aux exigences essentielles de sécurité et de santé des directives UE énumérées aussi bien sur le plan de sa conception et de son type de construction que du modèle que nous avons mis en circulation.

Cette déclaration perdra sa validité en cas d'une modification effectuée sur le produit sans notre accord explicite.

### (ES) Declaración de conformidad UE

Por la presente declaramos que, dados la concepción y los aspectos constructivos del modelo puesto por nosotros en circulación, el aparato mencionado a continuación cumple con los requisitos sanitarios y de seguridad vigentes de las directivas de la U.E. citadas a continuación.

Esta declaración será invalidada por cambios en el aparato realizados sin nuestro consentimiento.

### (PT) Declaração de conformidade UE

Declaramos pelo presente documento que o equipamento a seguir descrito, devido à sua concepção e ao tipo de construção daí resultante, bem como a versão por nós lançada no mercado, cumpre as exigências básicas aplicáveis de segurança e de saúde das directivas UE indicadas.

A presente declaração perde a sua validade em caso de alteração ao equipamento não autorizada por nós.

### Bezeichnung des Gerätes:

Axial schnelllaufender Rührer

### Description of the unit:

Axial fast running agitator

### Désignation du matériel:

Agitateur à vitesse axiale

### Descripción de la mercancía:

Agitador axial de carrera rápida

### Designação do aparelho:

Agitador axial de corrida rápida

### Typ:

Elektro-Rührwerk

### Type:

Electric agitator

### EG-Richtlinien:

2006/42/EG, 2014/34/EU

### EC directives:

Die Schutzziele der Niederspannungsrichtlinie 2014/35/EU wurden gemäß Anhang I, Nr. 1.5.1 der Maschinenrichtlinie 2006/42/EG eingehalten.

The protective aims of the Low Voltage Directive 2014/35/EU were adhered on in accordance with Annex I, v No. 1.5.1 of the Machinery Directive 2006/42/EC.

### Harmonisierte Normen:

DIN EN ISO 12100:2011-03

### Harmonized standards:

DIN EN ISO 12100:2011-03

### Dokumentationsbevollmächtigter:

Lutz-Jesco GmbH

### Authorized person for documentation:

Heinz Lutz  
Geschäftsführer / Chief Executive Officer  
Lutz-Jesco GmbH  
Wedemark, 30.07.2020

Lutz-Jesco GmbH  
Am Bostelberge 19  
30900 Wedemark  
Germany

## 10 Declaration of no objection

### Declaration of no objection

Please fill out a separate form for each appliance!

We forward the following device for repairs:

Device and device type: ..... Part-no.: .....

Order No.: ..... Date of delivery: .....

Reason for repair: .....

.....

.....

#### Dosing medium

Description: ..... Irritating:  Yes  No

Properties: ..... Corrosive:  Yes  No

We hereby certify, that the product has been cleaned thoroughly inside and outside before returning, that it is free from hazardous material (i.e. chemical, biological, toxic, flammable, and radioactive material) and that the lubricant has been drained.

If the manufacturer finds it necessary to carry out further cleaning work, we accept the charge will be made to us.

We assure that the aforementioned information is correct and complete and that the unit is dispatched according to the legal requirements.

Company / address: ..... Phone: .....

..... Fax: .....

..... Email: .....

Customer No.: ..... Contact person: .....

Date, Signature: .....

## 11 Warranty claim

### Warranty claim

Please copy and send it back with the unit!

If the device breaks down within the period of warranty, please return it in a cleaned condition with the complete warranty claim.

#### Sender

Company: ..... Phone: ..... Date: .....

Address: .....

Contact person: .....

Manufacturer order no.: ..... Date of delivery:.....

Device type: ..... Serial number: .....

Nominal capacity / nominal pressure: .....

Description of fault:.....

.....  
.....  
.....  
.....  
.....  
.....  
.....  
.....  
.....

#### Service conditions of the device

Point of use / system designation:.....

.....  
.....

Accessories used (suction line etc.):.....

.....  
.....  
.....

Commissioning (date): .....

Duty period (approx. operating hours): .....

Please describe the specific installation and enclose a simple drawing or picture of the chemical feed system, showing materials of construction, diameters, lengths and heights of suction and discharge lines.



## 12 Index

### D

Declaration of no objection .....	15
Disposal of old equipment .....	13
Dosing media	
Prohibited dosing media .....	7

### E

Electrical installation .....	12
-------------------------------	----

### F

Foreseeable misuse .....	7
--------------------------	---

### G

General warnings .....	5
------------------------	---

### H

Handling instructions	
Marking .....	4
Hazards due to non-compliance with the safety instructions .....	5

### I

Installation	
electrical .....	12
Intended purpose .....	7
Intended use .....	7

### M

Maintenance .....	14
-------------------	----

### N

Notes for the Reader .....	4
----------------------------	---

### P

Personnel qualification .....	6
Product description .....	9
Product warranty .....	7
Prohibited dosing media .....	7

### S

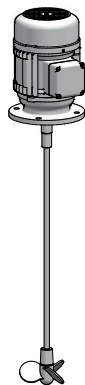
Safety .....	5
Signal words	
Explanation .....	4
Specialist staff .....	6
Storage .....	13
Structure of the dosing pump .....	10

### W

Warnings	
General warnings .....	5
Marking .....	4
Warning sign	
Explanation .....	4
Warranty claim .....	16
Working in a safety-conscious manner .....	5







## **Lutz-Jesco GmbH**

Am Bostelberge 19  
D-30900 Wedemark

Phone: +49 5130 5802-0  
[info@lutz-jesco.com](mailto:info@lutz-jesco.com)  
[www.lutz-jesco.com](http://www.lutz-jesco.com)

Operating instructions  
Electrical agitator