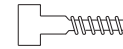


ASSEMBLY GUIDE

Farmhouse Round or Pond

In the trestles box you will find:

2x Sets of trestles, 4x Flat head hex screws, 8x Dowels, 1x Hex key, 6x Adjustable feet



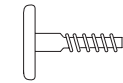
4x Flat head hex screws



8x Dowels



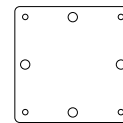
1x Hex key



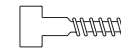
6x Adjustable feet

In the table top box you will find:

1x Round or Pond table top, 1x Metal plate, 12x Flat head hex screws, 1x Hex key



1x Metal plate

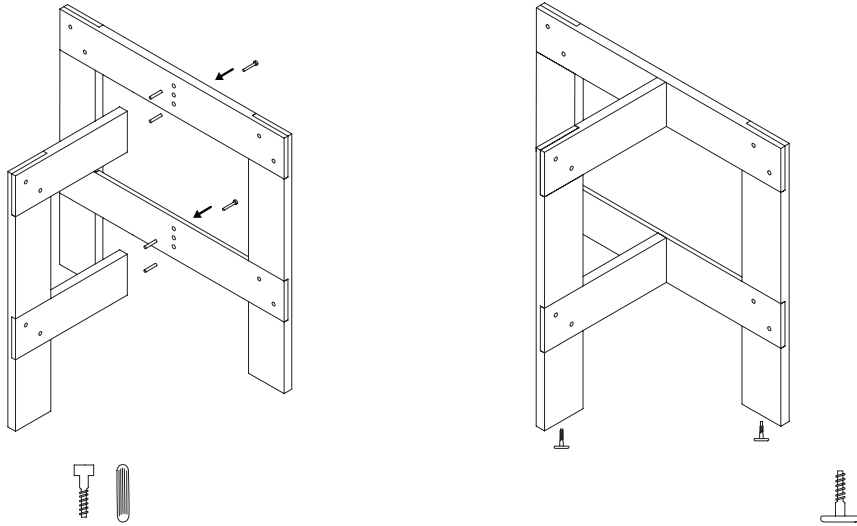


12x Flat head hex screws

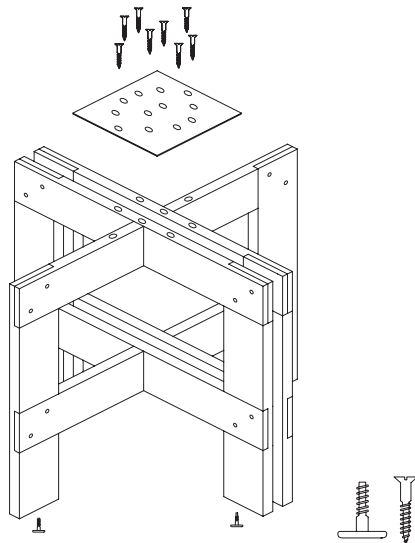


1x Hex key

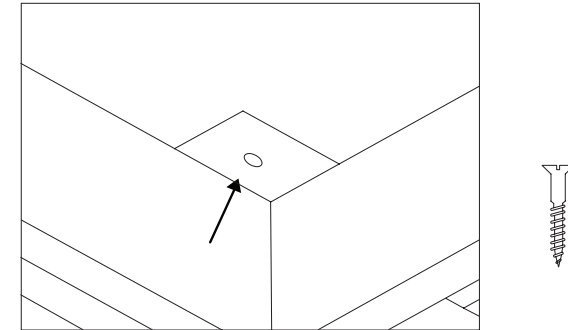
1. Start by placing the short half of the trestle perpendicularly to the long one. Attach the two pieces by inserting and securing the dowels in the pre-drilled holes. To hold the base together, make all the components coincide and connect them to the side legs. Use the adjustable feet, if needed, by screwing them on the pre-drilled holes underneath the trestles.



2. Screw the metal plate to the trestles correctly by following the pre-drilled holes. Tighten it by using the provided hex screws with the hex key.



3. Turn the base upside down, and place the metal plate into the carved shape of the countersunk. Tighten the metal plate to the tabletop by using the provided hex screws with the hex keys.



4. Side view of a correct mounted Farmhouse round or pond-shaped table.

