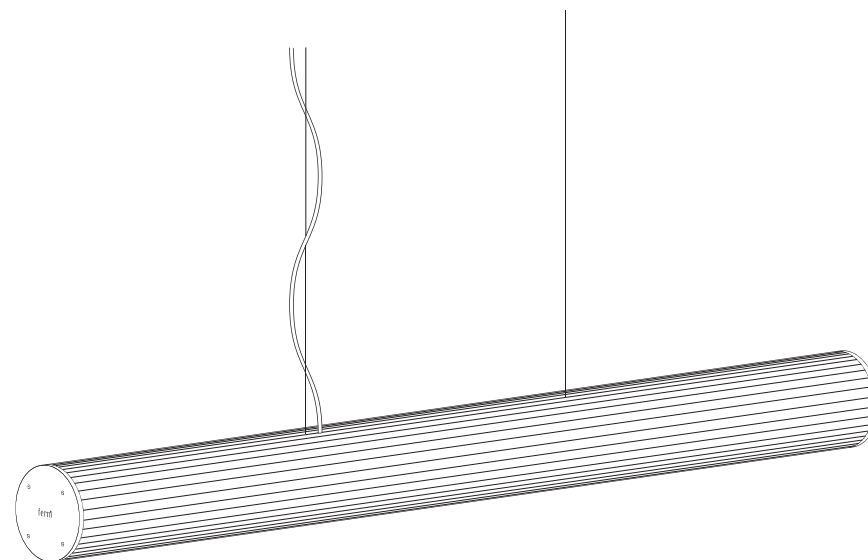


# VUELTA PENDANT LAMP

ASSEMBLY MANUAL

[fermliving.com](http://fermliving.com)



**ferm**  
L I V I N G

# GENERAL INSTRUCTIONS

Please read before installation

## WARNING:

The safety of this fitting can only be guaranteed if the following instructions are observed during both installation and use. Please retain these instructions safely after installation.

### Please observe the following guidelines:

- Ensure that the power supply has been switched off prior to installation or removal of the product.
- Never undertake an electrical installation without the proper knowledge or training. If not familiar with electrical wiring, contact a qualified electrician.
- The product may in no way be modified or tampered with. Any modification may compromise safety and make the product itself dangerous to use. ferm LIVING does not accept any responsibility for products that have been modified.
- The light source in this product cannot be replaced.
- This product is meant for indoor use only.
- This appliance should not be disposed in a domestic trash receptacle and should instead be recycled appropriately.

## CLEANING INSTRUCTIONS:

- Use only a soft cloth to clean the product. Dampen the cloth with water and soap or a mild cleanser if needed.

## MORE INFORMATION:

To access further information such as product overview and material descriptions, please visit our website at [www.fermliving.com](http://www.fermliving.com). If you have any questions or comments, please do not hesitate to contact us at [info@fermliving.com](mailto:info@fermliving.com).

## TECHNICAL SPECIFICATIONS

### VUELTA PENDANT 100

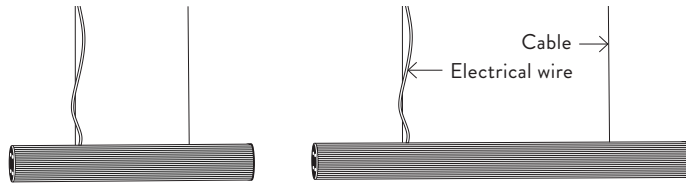
<b>Rated Power:</b>	30w
<b>Lumen output at maximum:</b>	2400lm
<b>CCT:</b>	3000k
<b>CRI:</b>	>90
<b>Rated Voltage:</b>	230V
<b>Frequency:</b>	50Hz
<b>Certification:</b>	CE/LVD/EMC/ROHS
<b>Standard:</b>	Dali implementation following EN62386-102 standard
<b>Gift box Dimension:</b>	1100x181x174mm
<b>Cable lenght:</b>	6m
<b>Electrical wire lenght:</b>	5m

### VUELTA PENDANT 60

<b>Rated Power:</b>	20w
<b>Lumen output at maximum:</b>	1600lm
<b>CCT:</b>	3000k
<b>CRI:</b>	>90
<b>Rated Voltage:</b>	230V
<b>Frequency:</b>	50Hz
<b>Certification:</b>	CE/LVD/EMC/ROHS
<b>Standard:</b>	Dali implementation following EN62386-102 standard
<b>Gift box Dimension:</b>	700x181x174mm
<b>Cable lenght:</b>	6m
<b>Electrical wire lenght:</b>	5m

## BOX CONTENTS

1x  
Lamp  
(100 or 60)



x1  
Remote control



1x  
Glove



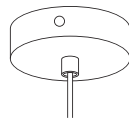
2x  
Cable holder



2x  
Raw plugs Ø8mm  
(not suitable for drywall)

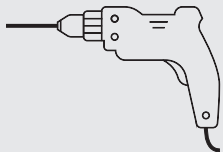


2x  
Screws



1x  
Canopy  
(arrives disassembled)

## NEEDED TOOLS



Electrical drill



Pencil



Ruler



Screwdriver  
(Philips/Cross Slot)



Spirit level



Cable cutter

## HOW TO USE THE REMOTE CONTROL

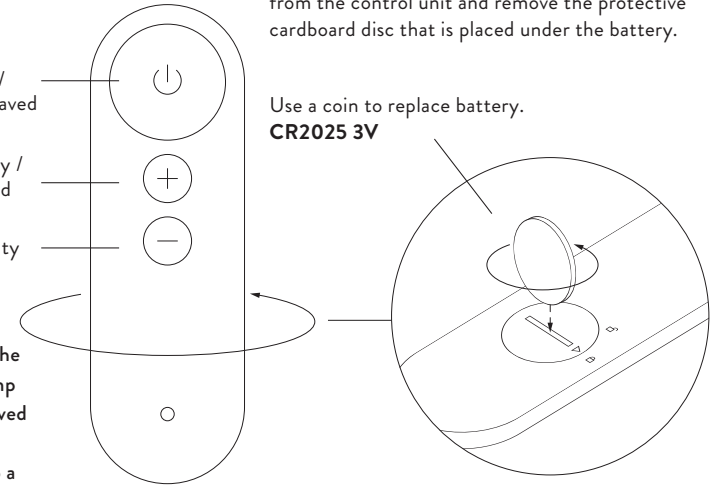
7.

**On/Off.** Turns lamp on at maximum brightness / brightness level will be saved when turning off lamp

⊕ Increase light intensity / Turn the light on at saved brightness level

⊖ Decrease light intensity

**Please note:** If you use the wall switch to turn the lamp on and off, the lamp will return to the last saved brightness level. If the pendant is connected to a Dali bus, the remote is automatically deactivated.



Before using the remote, please remove the battery from the control unit and remove the protective cardboard disc that is placed under the battery.

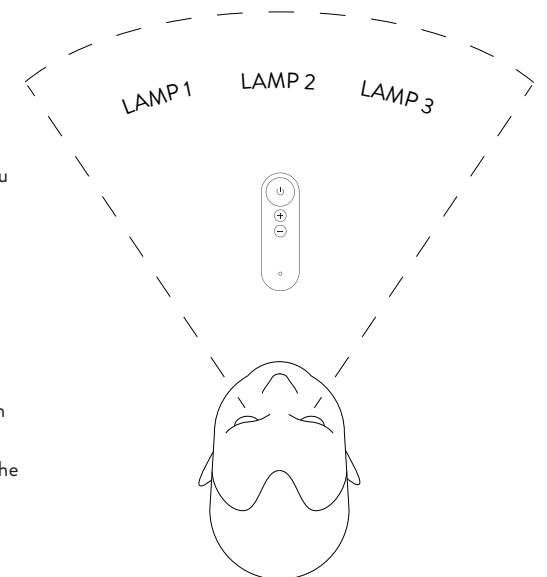
Use a coin to replace battery.  
**CR2025 3V**

## REMOTE CONTROL PAIRING

This pairing operation is not required unless you want to control multiple lamps (max 3 lamps) with the same remote control, or you need to reset your remote.

### How to Pair:

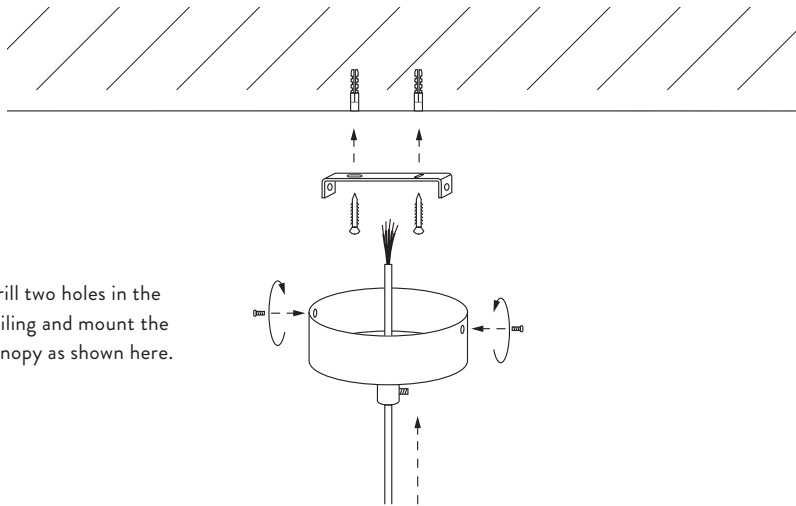
1. Turn off the lamp's power at its electrical power supply.
2. Turn it on again. In the first 10 seconds, push the following sequence of buttons: on/off, +, -. Once the pairing has been done successfully, the lamp will flicker 3 times.



## CANOPY INSTALLATION

Optional

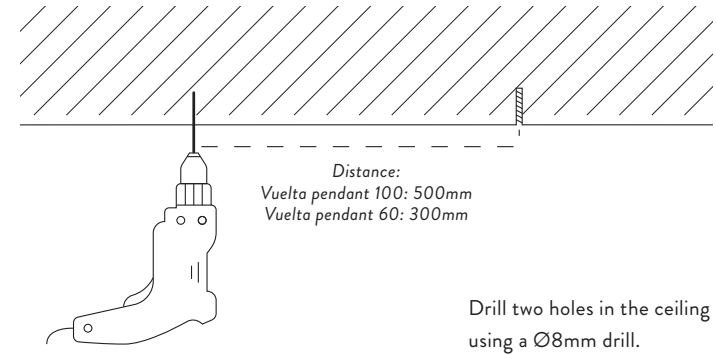
6.



Drill two holes in the ceiling and mount the canopy as shown here.

## ASSEMBLY PROCESS

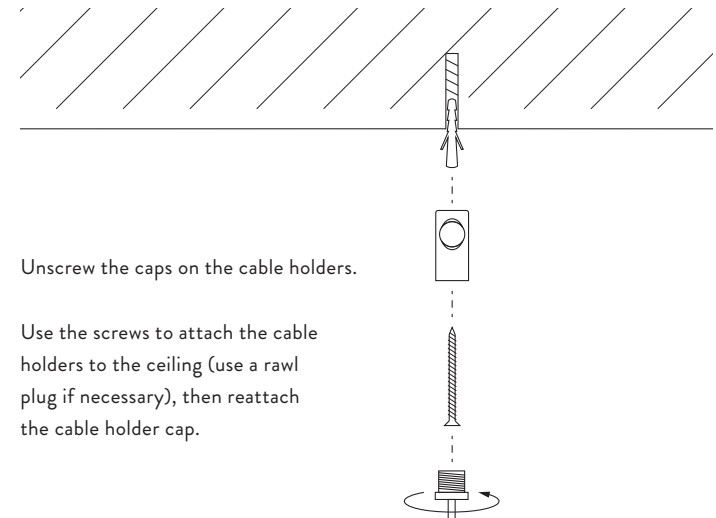
1.



Distance:  
Vuelta pendant 100: 500mm  
Vuelta pendant 60: 300mm

Drill two holes in the ceiling using a Ø8mm drill.

2.

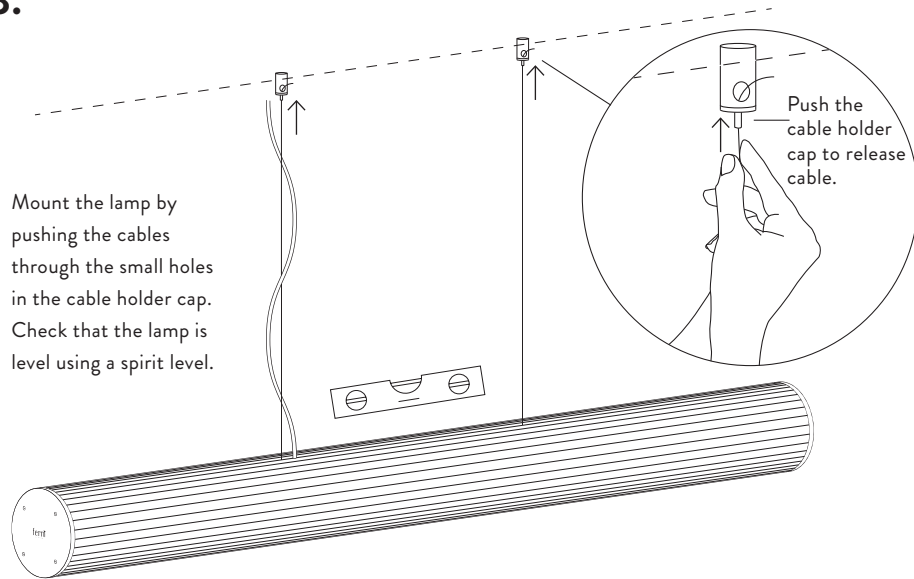


Unscrew the caps on the cable holders.

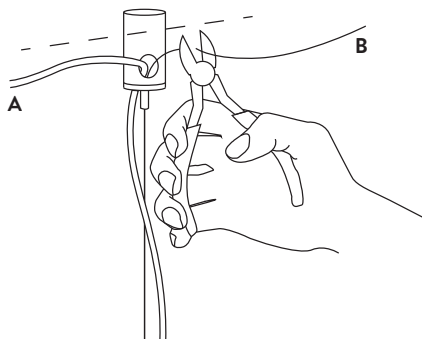
Use the screws to attach the cable holders to the ceiling (use a rawl plug if necessary), then reattach the cable holder cap.

## ASSEMBLY PROCESS

3.



4.



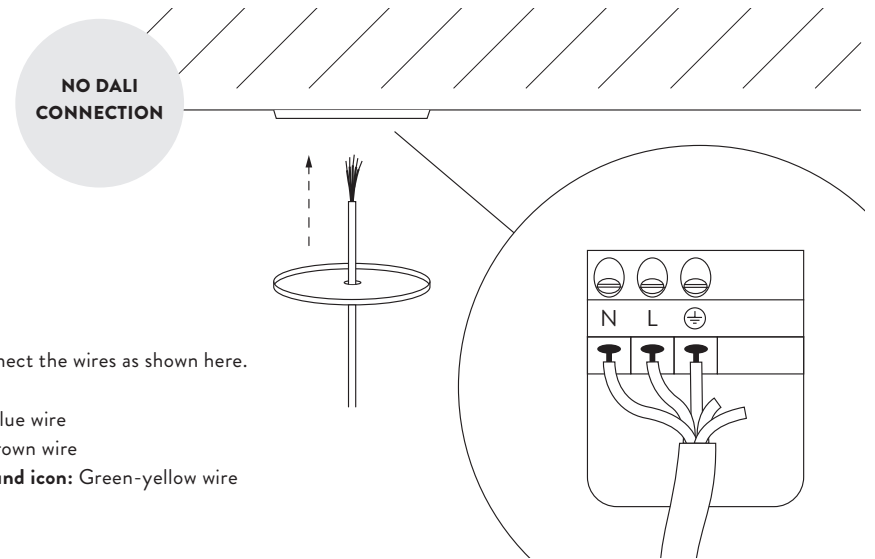
**A.** Route the electrical wire through the large holes in the cable holders.

**B.** Cut the cable to the desired length.  
*NOTE: Cables cannot be replaced, so only cut when you are sure you have achieved desired length.*

## ELECTRICAL INSTALLATION

Turn your power off during installation

5. *Option A*



5. *Option B*

