



Be sure to write your model number and serial number here for future reference. You can find these numbers printed on the bottom of the table.

MODEL NO.: T8581W/F
DATE CODE : CPSIA#2-T8581W/F-_____-SY
PURCHASE DATE : _____

OWNER'S MANUAL

1. **Read this manual carefully before starting assembly.** Read each step completely before beginning each step.
2. **Some smaller parts may be shipped inside larger parts. Check inside all parts and cartons before assembling or ordering parts.**
3. If hardware is tightened too soon, mounting holes may not align and parts may not easily fit together. Leave bolts slightly loose until you are instructed to tighten them.
4. **Tools required for assembly:** Wrenches or adjustable wrenches (not provided) are helpful.
5. To make assembly as easy as possible, place all parts of the table tennis in a cleared area and remove the packaging material. Organize all parts as per parts identifier in the assembly manual. Do not dispose of the packing material until assembly is completed.
6. Avoid scratching table tennis top and metal tube parts during the assembly process.
7. Assemble product on clean, level and flat surface.
8. **Take time to correctly orientate parts exactly as per each assembly diagram.**
9. **Save this instruction in the event that the manufacturer has to be contacted for replacement parts.**



CAUTION:

READ ASSEMBLY, OPERATING AND SAFETY INSTRUCTIONS CAREFULLY! AT LEAST TWO ADULTS ARE NEEDED TO PUT THIS TABLE TOGETHER!

Thank you for buying our product. We try hard to ensure that our products are of high quality and free of problems, such as Manufacturing defects or missing parts. However, if you have any problems with your new product, please **DO NOT RETURN IT TO THE STORE!**

Please Do Not Return This Product To The Store!

Contact Escalade® Sports customer service department at:

Phone: 1-866-873-3528

Toll-Free!

Mailing Address (correspondence only):

Fax: 1-866-873-3533

Toll-Free!

Escalade Sports

E-mail: tabletennis@escaladesports.com

PO Box 889

Evansville, IN 47706

Please provide model number and/or part number of the product and/or part when you call or write. These numbers can be found on the product, packaging, and/or in this Owner's Manual.

Please visit our website at: www.escaladesports.com

ON-LINE TROUBLE SHOOTING

TECHNICAL ASSISTANCE

ON-LINE PARTS REQUESTS

FREQUENTLY ASKED QUESTIONS

ADDITIONAL ESCALADE® SPORTS PRODUCT INFORMATION

ESCALADE®

S P O R T S

Escalade® Sport products may be manufactured and/or licensed under the following patents.
6120397, 5816957, 5769744, 5119741, 4911085, 4717157, D460140, D420563

Additional patents may be pending. One or more of the listed patents and/or pending patents may cover specific product.

© 2018 Escalade® Sports

CARE AND MAINTENANCE

You have purchased a quality product that will give you years of enjoyment. By following these simple maintenance steps, you will add to the life of your new table.

THE TABLE TOP

The top (playing surface) of your table is made of Mid-Density Board. Like all products made of wood, it can be affected by atmospheric changes in both temperature and humidity. This may cause a slight sag or distortion as the top expands or contracts. This is normal and should not cause concern as it does not detract from the play or utility value of the table. After assembly of the table, you can minimize the effects of temperature and humidity changes by storing the table in a dry area when table is not in use.

STORAGE OF YOUR TABLE

This table must be stored indoors to prevent damage to the playing surface. Dampness and extreme temperature changes can cause the wood to warp, swell, crack or blister. When your table is not in use, it should be stored in a dry area. Due to the nature of particle board, table top may bow. Damp and humid conditions will amplify this. This is normal and will not affect playability of table.

CLEANING YOUR TABLE

To clean your table use a soft, damp (NOT WET) cloth only. To prevent damage to your table's playing surface, DO NOT USE ANY CHEMICALS, ABRASIVE OR CLEANING PRODUCTS on your table's playing surface.

MAINTENANCE OF YOUR TABLE

Be sure to oil all moving parts of your table including the pivot points. This will insure the safety and ease of use of your table.

This table must be kept indoors to prevent damage to the playing surface. Dampness and extreme temperature changes which occur on patios or similar areas can cause wood to warp, swell, crack or blister.

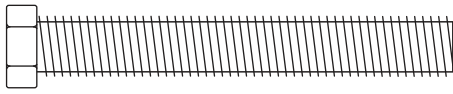
UNEVEN FLOORS

If table does not seem level, it is probably due to uneven or unlevel floors. Set the table in its PLAYING POSITION and move table several inches in different directions to find the best location for the table. If the floor is extremely unlevel, table may not play or operate properly.

If table is high in the center, shim up under the outer legs.

The table has leg levelers - Adjust leg levelers as required.

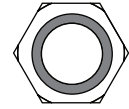
HARDWARE IDENTIFIER (To Scale)



H1 - 8 mm x 55 mm
Hex Head Bolt
(8 pcs)

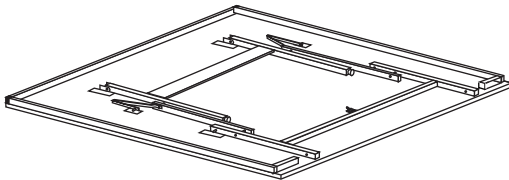


H2 - 8 mm x 16 mm
Plastic Flat Washer
(16 pcs)

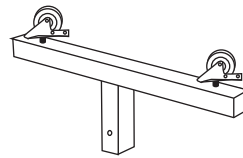


H3 - 8 mm Nylon
Lock Nut
(8 pcs)

PARTS IDENTIFIER (Not to Scale)



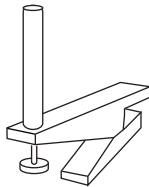
P1 - Table Tennis Table Top
Frame Assembly
(2 pcs)



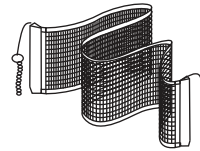
P2 - Leg with Casters
Assembly
(4 pcs)



P3 - Connector
(8 pcs)



P4 - Net Post
(2 pcs)



P5 - Net (1 pc)

IMPORTANT NOTE: Place table half top with playing surface face down on a **CLEAN** flat surface for ease of correct assembly and to prevent any scratches or blemishes to the playing surface.

PARTS REQUIRED

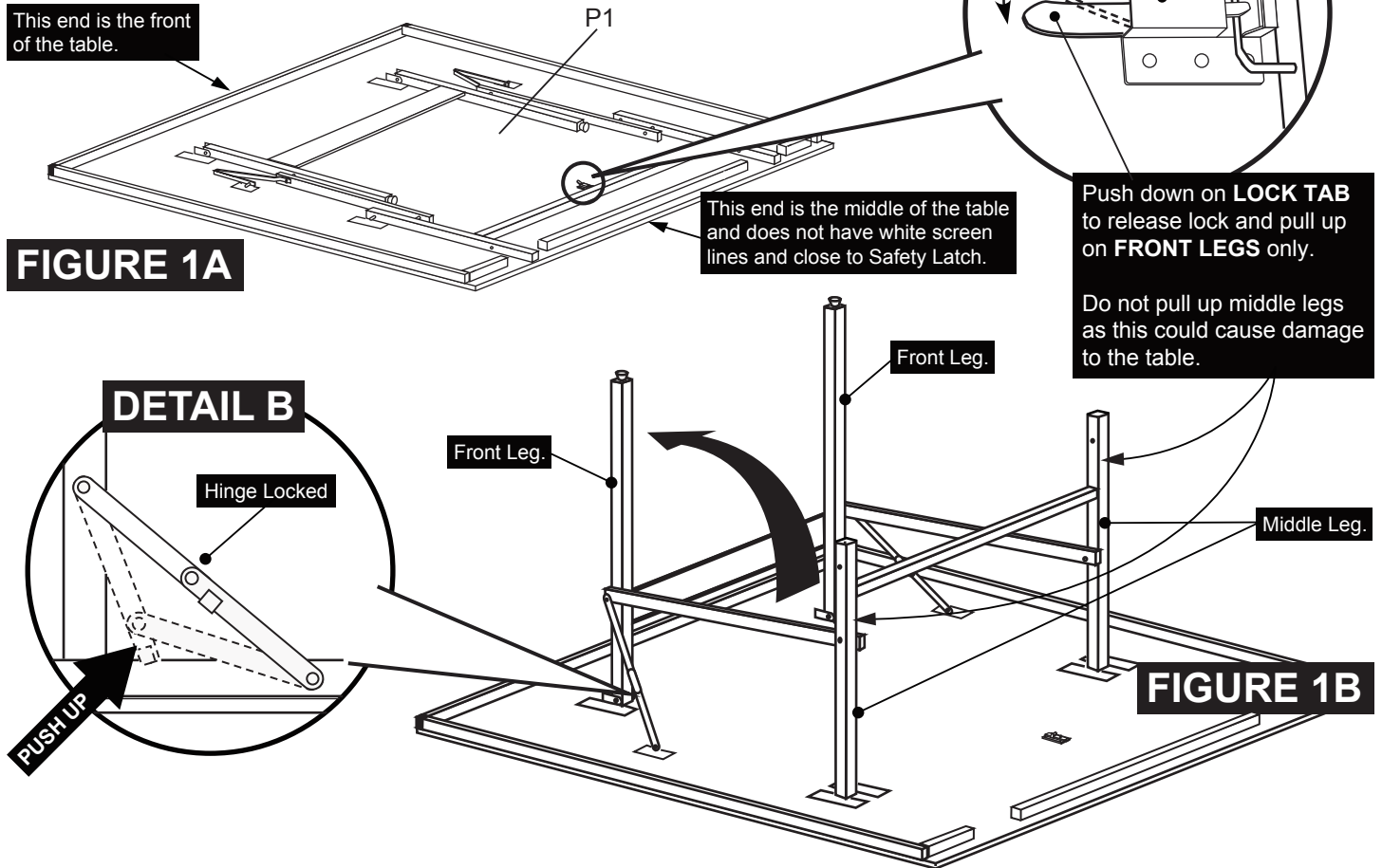
1 pc - **P1** Table Tennis Table Top Frame Assembly
 2 pcs - **P2** Leg with Casters Assembly
 4 pcs - **P3** Connector

4 pcs - **H1** Hex Head Bolt
 8 pcs - **H2** Flat Washer
 4 pcs - **H3** Lock Nut

STEP 1:

Lay one piece **P1** Table Tennis Table Top Frame Assembly flat with playing surface facing down as shown in **FIGURE 1A**.

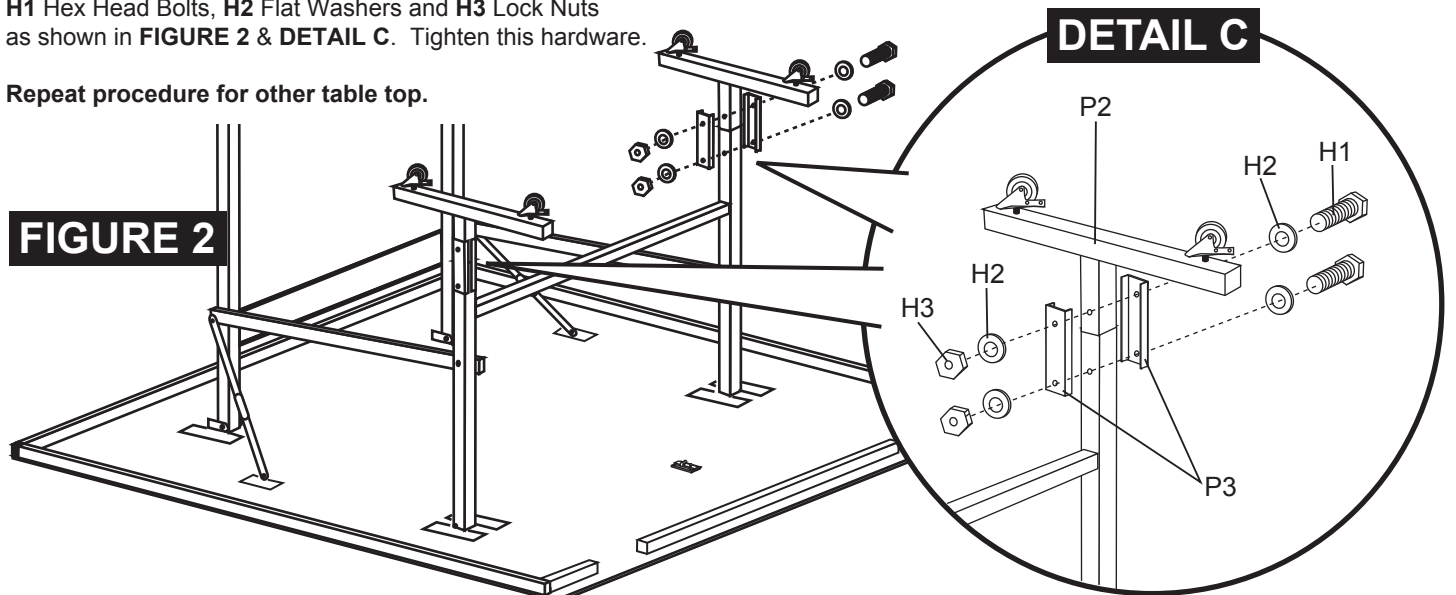
Unlock the **SAFETY LOCK** as shown in **DETAIL A** and raise **FRONT LEGS** to a vertical position and lock both hinges as shown in **FIGURE 1B & DETAIL B**.



STEP 2:

Install **P2** Leg with Casters Assembly with **P3** Connectors using **H1** Hex Head Bolts, **H2** Flat Washers and **H3** Lock Nuts as shown in **FIGURE 2 & DETAIL C**. Tighten this hardware.

Repeat procedure for other table top.



! WARNING:

**THIS STEP REQUIRES TWO OR MORE ADULTS.
VERY CAREFULLY TURN THE TABLE OVER AND SET IT ON
ITS LEGS. BE CAREFUL, THE TABLE IS VERY HEAVY.**

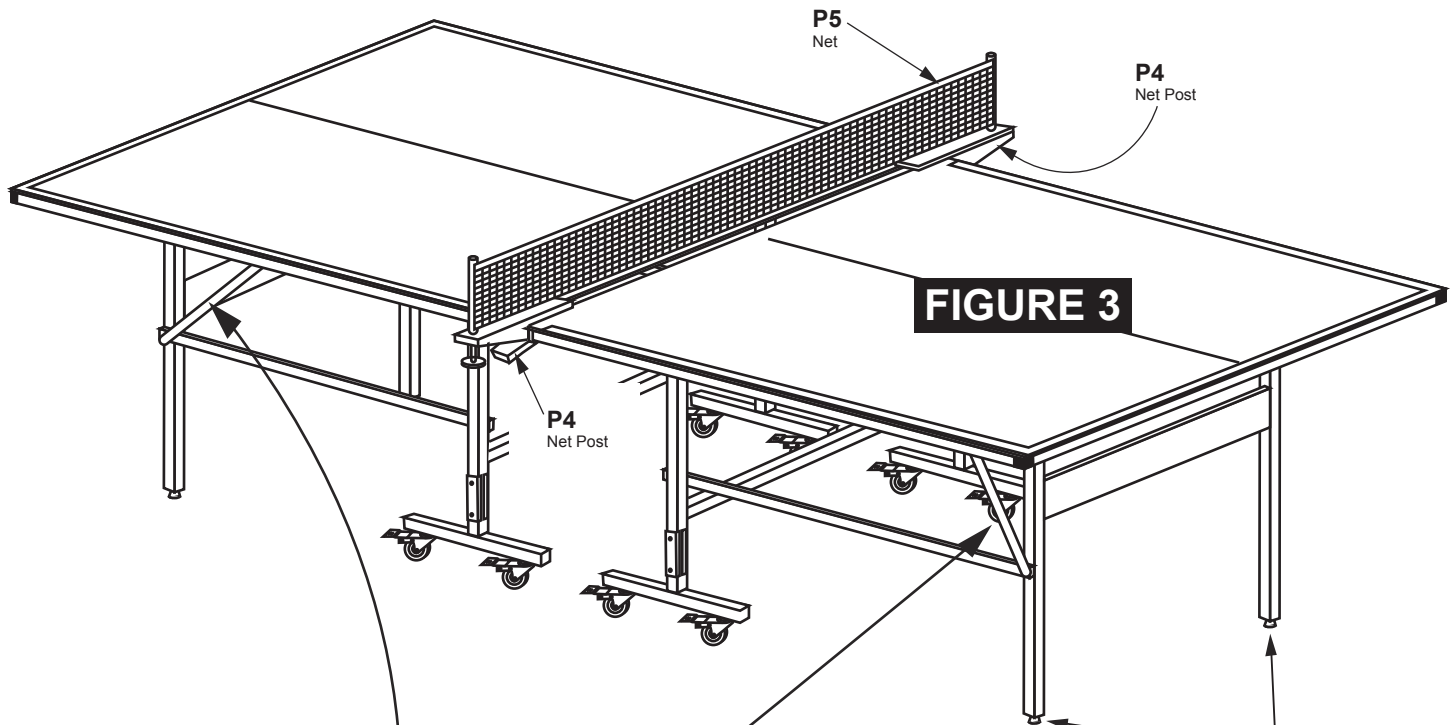
PARTS REQUIRED

2 pcs - **P4** Net Post
1 pc - **P5** Net

STEP 3:

Attach one **P4** Net Post to the middle edge of where the table halves meet.
Repeat this with other **P4** Net Post on opposite side.

Then, slide **P5** Net into corresponding **P4** Net Post and repeat for the other side.
Make sure the white fabric of the net is on top. Use strings at either end of the **P5** Net to tighten the net and attach to base of net post securely.



IMPORTANT NOTE:

Be sure to break all four(4) hinges, using the palm of your hand before folding table upright.
Lock hinges when table is in playing positions.

NOTE:

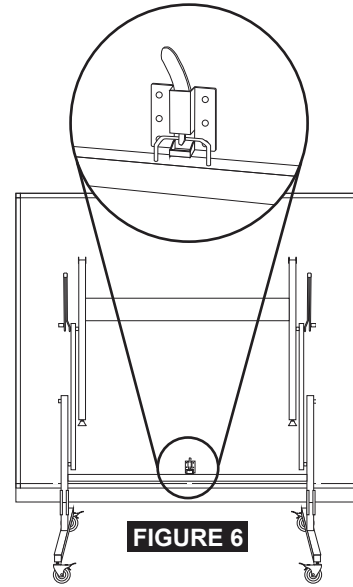
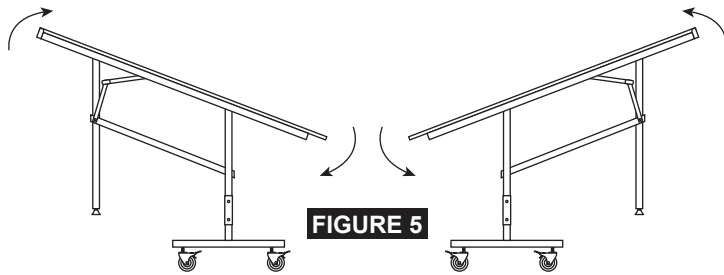
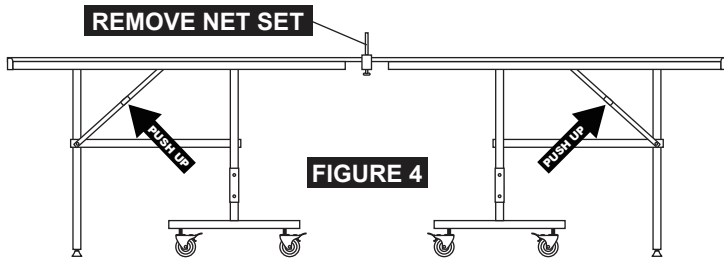
Level table using Leg Levelers.

CAUTION:

READ OPERATING INSTRUCTIONS CAREFULLY BEFORE OPERATING TABLE! DO NOT ALLOW CHILDREN TO OPEN TABLE! DO NOT CLIMB, STAND OR JUMP ON TABLE! SERIOUS OR FATAL INJURY MAY RESULT! THIS IS NOT A TOY! TABLE IS TO BE OPENED OR CLOSED BY ADULTS ONLY! FAILURE TO COMPLY WITH OPENING AND CLOSING INSTRUCTIONS COULD RESULT IN PERSONAL INJURY OR PROPERTY DAMAGE.

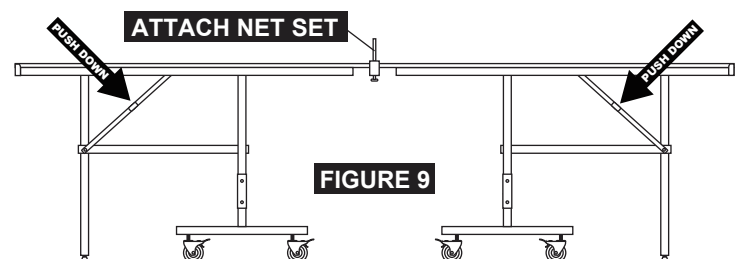
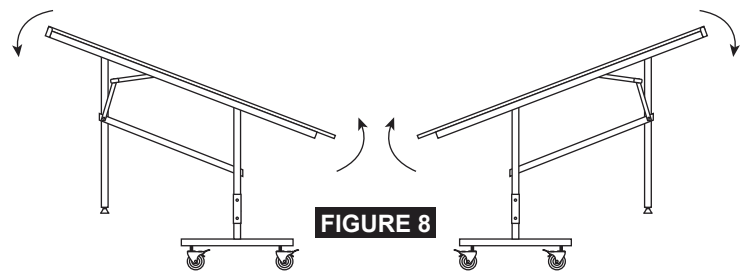
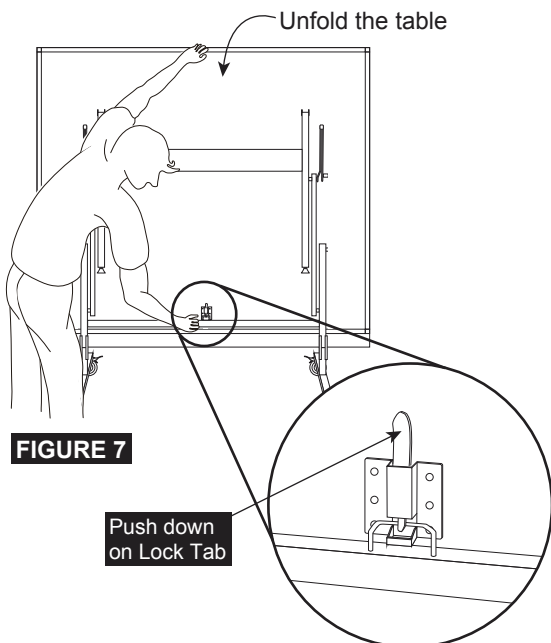
FOLD THE TABLE:

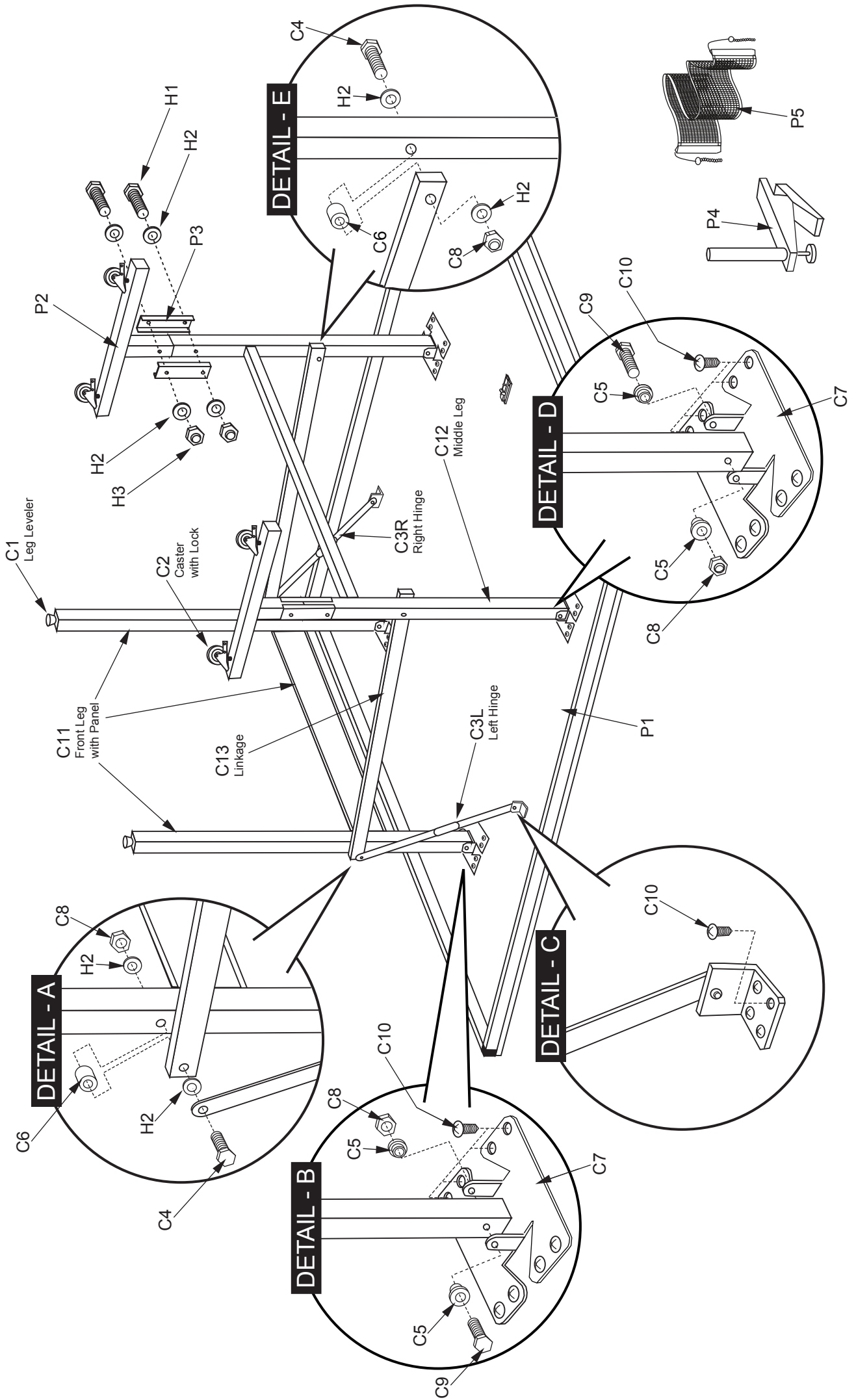
1. Remove the Net Set and push hinges up as shown in **FIGURE 4**.
2. Fold each half table as shown in **FIGURE 5**.
3. Secure table into upright position as shown in **FIGURE 6**.



UNFOLD THE TABLE:

1. Push down on Lock Tab to release lock as shown in **FIGURE 7**.
2. Fold each half table as shown in **FIGURE 8**.
3. Push down and lock hinges as shown in **FIGURE 9**.





T8581 TABLE TENNIS TABLE SPARE PARTS

Key#	Part No.	Description	Qty
H1	T8581SY-H1	8 mm x 55 mm Hex Head Bolt	8
H2	T8581SY-H2	8 mm x 16 mm Plastic Flat Washer	16
H3	T8581SY-H3	8 mm Nylon Lock Nut	8
P1	T8581SY-P1	Table Tennis Table Top Frame Assembly	2
P2	T8581SY-P2	Leg with Casters Assembly	4
P3	T8581SY-P3	Connector	8
P4	T8581SY-P4	Net Post	2
P5	T8581SY-P5	Net	1
C1	T8581SY-C1	Leg Leveler	4
C2	T8581SY-C2	Caster with Lock	8
C3R	T8581SY-C3R	Right Hinge	2
C3L	T8581SY-C3L	Left Hinge	2
DETAIL A			
C4	T8581SY-C4	8 mm x 90 mm Hex Head Bolt	4
H2	T8581SY-H2	8 mm x 16 mm Plastic Flat Washer	8
C6	T8581SY-C6	8.5 mm x 19 mm x 15 mm Long Spacer	4
C8	T8581SY-C8	8 mm Nylon Lock Nut	4
DETAIL B			
C9	T8581SY-C9	8 mm x 60 mm Hex Head Bolt	4
C5	T8581SY-C5	8.5 mm x 19 mm x 4 mm Step Bushing	8
C8	T8581SY-C8	8 mm Nylon Lock Nut	4
C7	T8581SY-C7	Steel Leg Bracket	4
C10	T8581SY-C10	3.5 mm x 14 mm Phillips Round Head Screw	32
DETAIL C			
C10	T8581SY-C10	3.5 mm x 14 mm Phillips Round Head Screw	16
DETAIL D			
C9	T8581SY-C9	8 mm x 60 mm Hex Head Bolt	4
C5	T8581SY-C5	8.5 mm x 19 mm x 4 mm Step Bushing	8
C8	T8581SY-C8	8 mm Nylon Lock Nut	4
C7	T8581SY-C7	Steel Leg Bracket	4
C10	T8581SY-C10	3.5 mm x 14 mm Phillips Round Head Screw	32
DETAIL E			
C4	T8581SY-C4	8 mm x 90 mm Hex Head Bolt	4
H2	T8581SY-H2	8 mm x 16 mm Plastic Flat Washer	8
C6	T8581SY-C6	8.5 mm x 19 mm x 15 mm Long	4
C8	T8581SY-C8	Spacer 8 mm Nylon Lock Nut	4
C11	T8581SY-C11	Front Leg with Panel	2
C12	T8581SY-C12	Middle Leg	4
C13	T8581SY-C13	Linkage	4
K1	T8581SY-K1	Hardware Kit	1
M1	T8581SY-M1	Owner's Manual	1

90 DAY LIMITED WARRANTY

This consumer warranty extends to the original consumer purchase of any ESCALADE® SPORTS Product (hereinafter referred as the "Product").

WARRANTY DURATION: This Product is warranted to the original consumer purchase of a period of ninety (90) days from the original purchase.

WARRANTY COVERAGE: ESCALADE® SPORTS warrants to the original Consumer Purchaser that any Product of its manufacture is free from defects in material and workmanship when used for the intended purpose under normal use and conditions. THIS WARRANTY IS VOID IF THE PRODUCT HAS BEEN DAMAGED BY ACCIDENT, UNREASONABLE USE, NEGLIGENCE, IMPROPER SERVICE, FAILURE TO FOLLOW INSTRUCTIONS PROVIDED WITH THE PRODUCT OR OTHER CAUSES NOT ARISING OUT OF DEFECTS IN MATERIAL AND WORKMANSHIP.

WARRANTY PERFORMANCE: During the above ninety (90) day warranty period, ESCALADE® SPORTS shall repair or replace with a comparable model, and Product, or component thereof, which may prove defective under normal use and proper care, and which our examination shall disclose to our satisfaction to be thus defective, please contact our Warranty Dept.

1-866-873-3528 / Warranty Dept.

Or Write us at:

Escalade® Sports, Inc. - P.O. Box 889, Evansville, IN 47706 - Attn: Warranty Dept.

Or E-mail us at:

customerservice@escaladesports.com

Other than shipping requirements no charge will be made for such repair or replacement of in-warranty Products. ESCALADE® SPORTS strongly recommends that the Product is insured for value prior to mailing.

WARRANTY DISCLAIMERS: ANY IMPLIED WARRANTIES ARISING OUT OF THIS SALE, INCLUDING BUT NOT LIMITED TO THE IMPLIED WARRANTIES OF MERCHANTABILITY AND FITNESS FOR A PARTICULAR PURPOSE, ARE LIMITED IN DURATION TO THE ABOVE NINETY (90) DAY WARRANTY PERIOD. ESCALADE® SPORTS SHALL NOT BE LIABLE FOR LOSS OF USE OF THE PRODUCT OR OTHER CONSEQUENTIAL OR INCIDENTAL COSTS, EXPENSES OR DAMAGES INCURRED BY THE CONSUMER OF ANY OTHER USE.

Some states do not allow the exclusion or limitation of implied warranties or consequential or incidental damages, so the above limitations or exclusions may not apply to you.

LEGAL REMEDIES: This warranty give you specific legal rights and you may also have other rights which may vary from state to state.