



Play The Best®

TABLE TENNIS TABLE

MODEL NOS.

T8621

T8621B

OWNER'S MANUAL

1. **Read this manual carefully before starting assembly.** Read each step completely before beginning each step.
2. **Some smaller parts may be shipped inside larger parts. Check inside all parts and cartons before assembling or ordering parts.**
3. **To make assembly easier, use the Hardware Identifier on page 9 to identify and sort all fasteners. Check all cartons for kits. All hardware may not be located in one kit.**
4. **Do not tighten hardware until instructed to do so.** If hardware is tightened too soon, mounting holes may not align and parts may not easily fit together. Leave locknuts slightly loose until you are instructed to tighten them.
5. **Tools required for assembly:** Phillips Screwdriver, Two 7/16 Wrenches, One 3/8 Wrench (an adjustable wrench may be substituted for the wrenches).
6. **Do not use power tools to drive screws into wood tops.** Hand tighten screws only. Tighten screws snug, but do not overtighten causing screws to strip.
7. **Save this instruction and your proof of purchase (receipt) in the event that the manufacturer has to be contacted for replacement parts.**

Please Do Not Return This Product To The Store!

Contact Escalade® Sports customer service department at:

Phone: 1-866-873-3528 Toll – Free !

Fax: 1-866-873-3533 Toll – Free !

E-mail: tabletennis@escaladesports.com

Mailing Address (correspondence only):

Escalade Sports

PO Box 889

Evansville, IN 47706

Please visit our World Wide Web site at: www.escaladesports.com

ON-LINE TROUBLE SHOOTING

TECHNICAL ASSISTANCE

ON-LINE PARTS REQUESTS

FREQUENTLY ASKED QUESTIONS

ADDITIONAL ESCALADE® SPORTS PRODUCT INFORMATION



2L-4132-00

Escalade® Sports products may be manufactured and/or licensed under the following patents.
6120397, 5816957, 5769744, 5119741, 4911085, 4717157, D460140, D420563

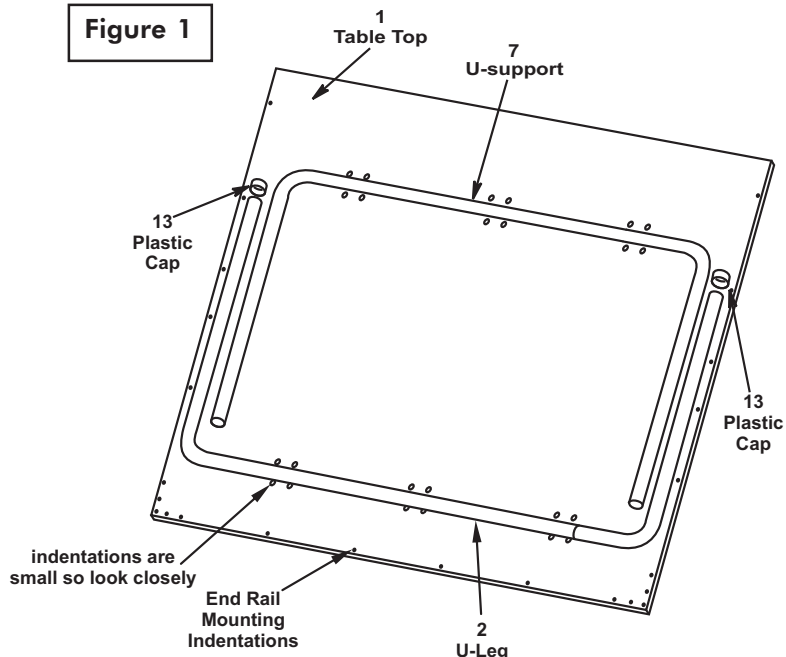
Additional patents may be pending. One or more of the listed patents and/or pending patents may cover specific product.

©2012 Escalade® Sports

For aid in identifying hardware, see hardware identifier on page 9.

Figure 1

1. Lay table top #1 painted side down, on a smooth, flat surface. Use the shipping container to protect the painted surface of the table top.
2. Align U-Support (#7) and U-Leg (#2) on Table Top as shown in Figure 1. **Note: "U" Leg is Larger and wider than U-Support. The U-Leg should be installed on the end of the table half with the end rail mounting indentations..**
3. Put plastic caps #13 on the end of U-leg #2.



CAUTION:

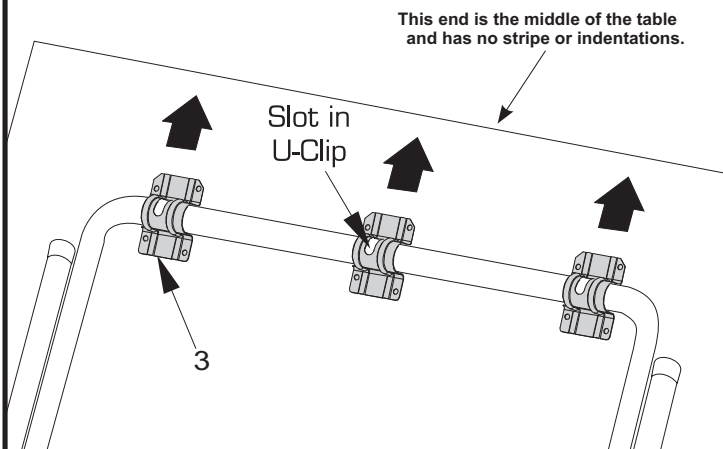
WHEN ASSEMBLING TABLE, IT IS EXTREMELY IMPORTANT THAT THE U-CLIPS (#3) BE TURNED AS SHOWN HERE. IF U-CLIPS ARE TURNED INCORRECTLY, YOU WILL DO IRREPARABLE DAMAGE TO YOUR TABLE WHEN YOU ATTEMPT TO OPEN IT TO THE PLAYING POSITION.

If you want to see a video on how to position the U-Clips go to: <http://www.escaladesports.com/customer-service/videos.html>

4. Align the holes in the Large U-clips #3 with indentations in table top assembly and secure with twenty four screws #20 as shown. All four holes in each U-Clip must align with four indentations in top.

IMPORTANT:

Be sure that slot in the six U-clips #3 all face the same direction (toward the middle of the table with the U-support) as shown.



This end is the middle of the table and has no stripe or indentations.

All screws shown are (#20) sheet metal screws.

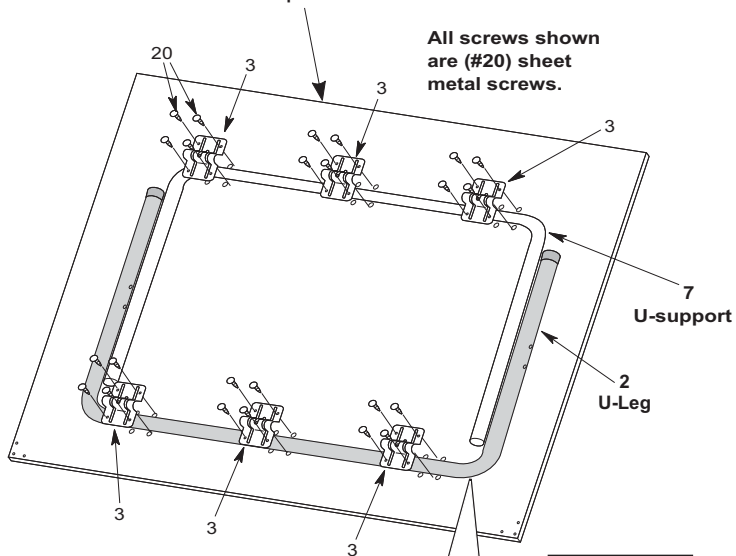


Figure 2

IMPORTANT: U-Leg is wider than U-support. Make sure they are assembled exactly as shown. If not, there will be a large gap between table halves and table will not operate properly!

All screws shown are (#20) sheet metal screws.

This end is the middle of the table

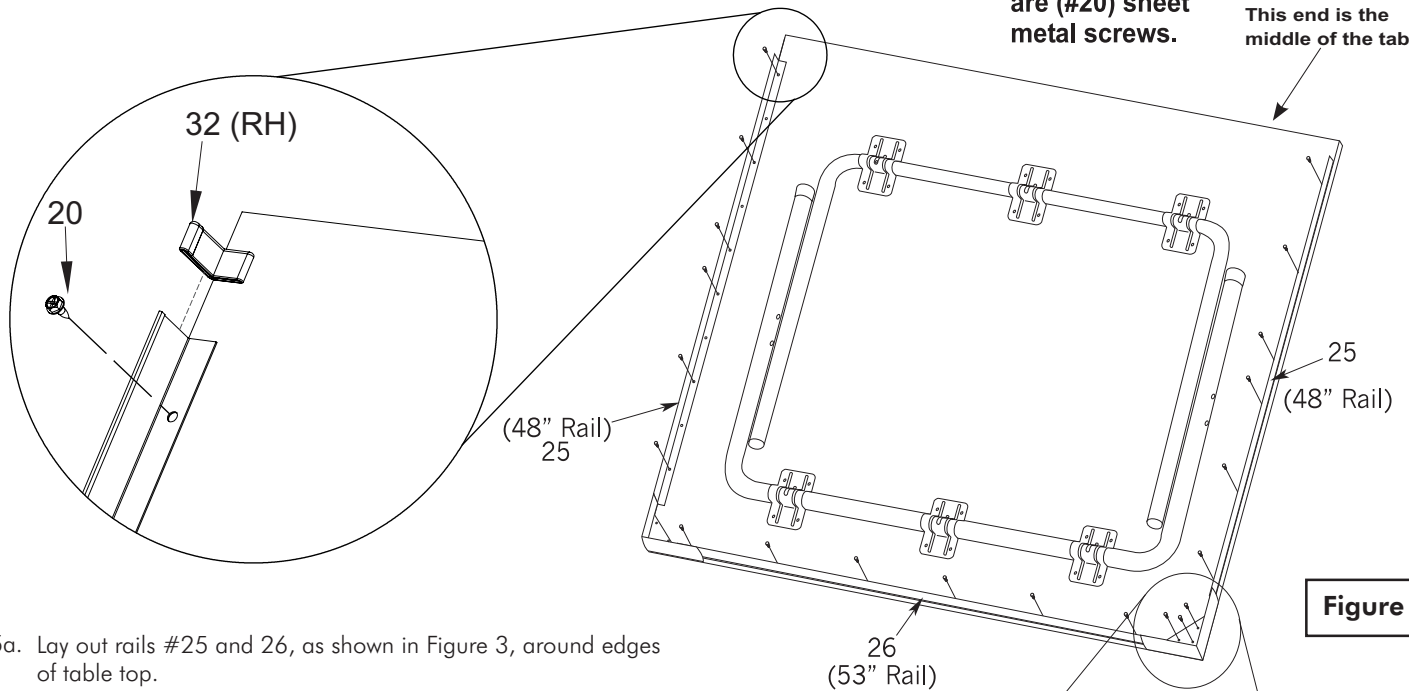


Figure 3

- 5a. Lay out rails #25 and 26, as shown in Figure 3, around edges of table top.
- 5b. Slide Left #33 and Right #32 Vinyl End Caps onto the ends of the Side Rails #25 as shown.
6. Line up holes in rails with indentations in top and secure using eighteen screws #20. See Figure 3.
7. Lay Corner Caps #22 on table as shown in Figure 4. If Corner Cap sticks above table top surface of table, flip over so shorter distance is against edge. Secure to bottom of table with three screws #21.

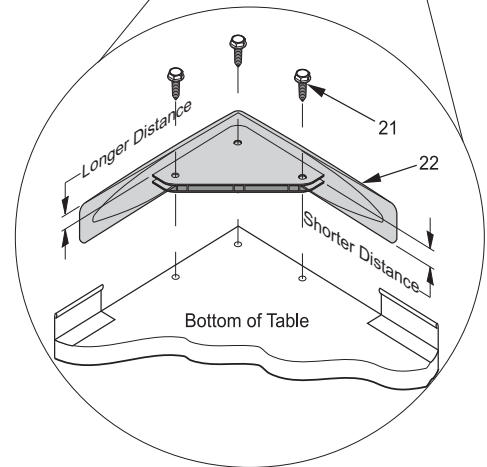


Figure 4

8. Rotate U-support #7 until you see the screw hole in the slot of U-clip #3. Slide U-support #7 side to side if necessary.

Note: Slide U-Support back and forth until you see the hole (if necessary).

Note: To aid in assembly you can use a cordless drill and Phillips bit for **Step 9 only**. **Wear safety glasses.**

9. Insert screw #19 through slot in U-clip #3 and into U-support #7. Thread it all the way into U-support #7 until it touches the back of the tube. There should be about 3/8 inch of screw #19 left sticking out. Repeat for U Leg #2 and U-clip #3.

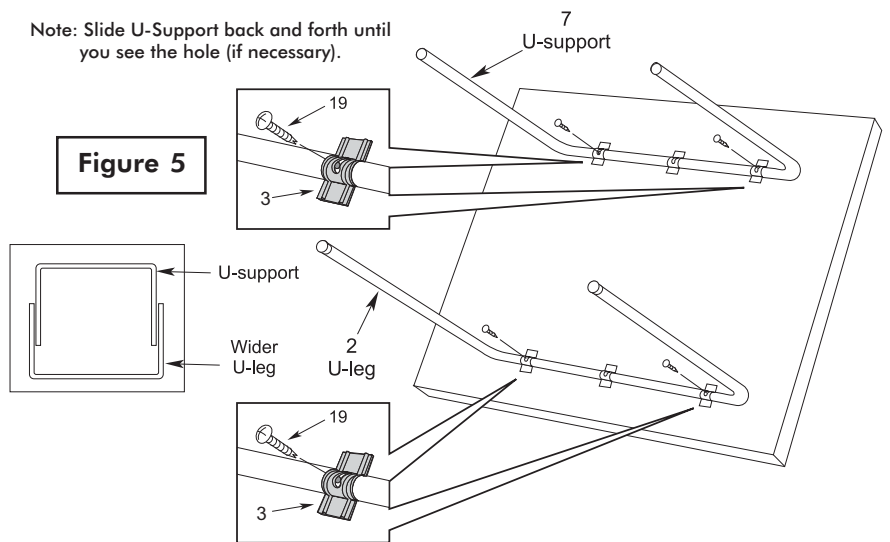


Figure 5

If you want to see a video on how to insert Screw (#19) go to: <http://www.escaladesports.com/customer-service/videos.html>

10. Attach end of linkages #4 with two holes to **INSIDE** of U-leg #2 as shown in Figure 6. Secure through end hole with screws #23, locknuts #15 and plastic spacers #31. Tubes must pivot freely.
11. On one side of the table attach slotted end of safety strap #6 to **INSIDE** of U-Leg #2 using one bolt #29, one spacer #30, one washer #24, and one hex nut #15. Tighten hardware until snug but do not overtighten. Tubes must pivot freely. See Figure 7.
12. Attach other end of safety strap #6 to **OUTSIDE** of linkage #4 using one bolt #9, one washer #24, one spacer #30, and one hex nut #15.

Important! Do NOT put other safety strap #6 on this table half. It will be installed on other table half later.

13. Attach other end of linkages #4 to **OUTSIDE** of U-support #7 with bolts #14 and plastic washers #24. Then slide name panel #5 onto the same bolts #14 on the **INSIDE** of U-support #7. Secure with lock nuts #15. Tighten hardware until snug but do not overtighten. Tubes must pivot freely
14. Attach bottom of name panel #5 to U-supports #7. Secure with hex bolts #9 and locknuts #15. Tighten nuts but be careful not to crush tubes. See Figure 6.
15. Gently tap caster sockets #12 into U-support #7 until flange on sockets touches the edge of the tube. **DO NOT HIT CASTER SOCKET DIRECTLY WITH A HAMMER! SET A PIECE OF WOOD ON CASTER SOCKET AND HIT PIECE OF WOOD TO DRIVE CASTER SOCKET INTO U-SUPPORT.**
16. Insert casters #11 into caster sockets #12.

Figure 6

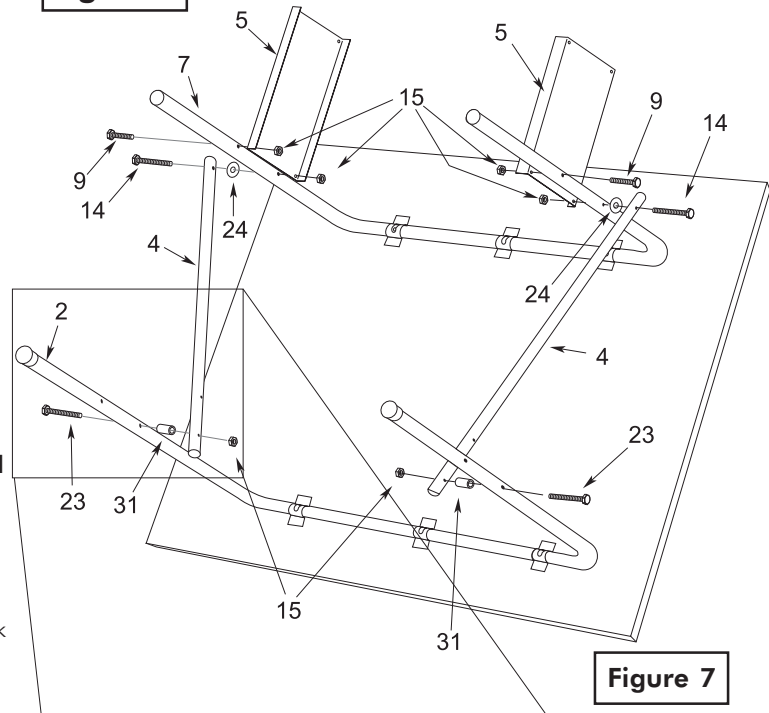
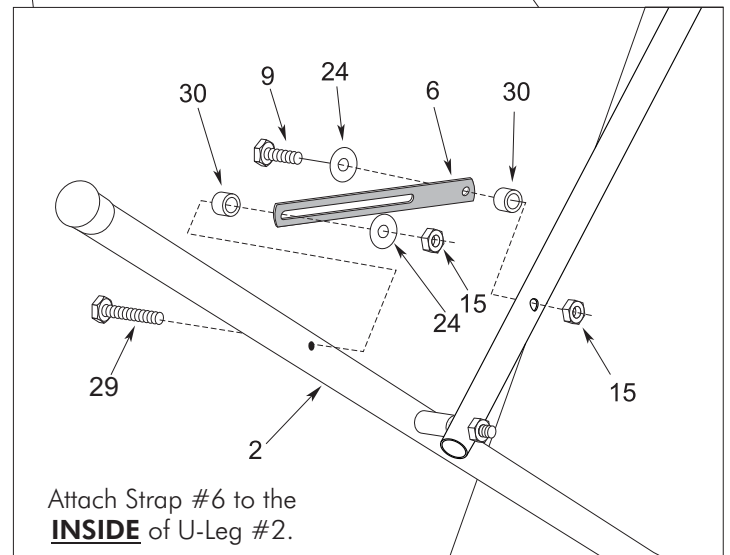


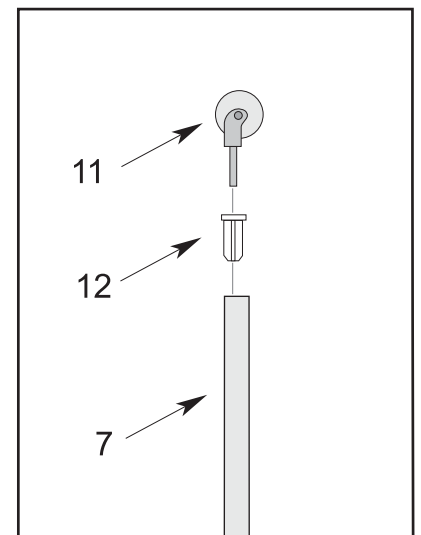
Figure 7



⚠ CAUTION:
AT LEAST TWO ADULTS ARE NEEDED TO MOVE TABLE HALF!

17. Prepare an area for the assembly of the second table top half. If necessary, move the first table top half aside with the aid of a helper. Be sure to place it in a location where it won't be disturbed or damaged. If setting on its side, be sure to place the bottom edge no less than 12 inches away from the wall. Also be sure to place carpet or pieces of the shipping carton down to protect table top edges. If floor is not carpeted, brace table top half with a heavy object to keep it from sliding.

Figure 8



18. Repeat steps 1 through 12 on second table half.
19. Gently tap caster sockets #12 into U-support #7 on second table half until flange on sockets touches the edge of the tube. **DO NOT HIT CASTER SOCKETS TOO HARD WITH A HAMMER.** Casters could break if hit too hard.
20. Insert casters #11 into caster sockets #12 on second table half.
21. Attach linkages #4 to the OUTSIDE of U-support #7 on second table half. Use screws #14, plastic washers #24 and hex nuts #15.

NOTE: Tighten locknuts #15 finger tight only. They will be removed when the two table top halves are connected.



CAUTION:
AT LEAST TWO ADULTS ARE NEEDED TO COMPLETE THE REMAINDER OF THE ASSEMBLY!

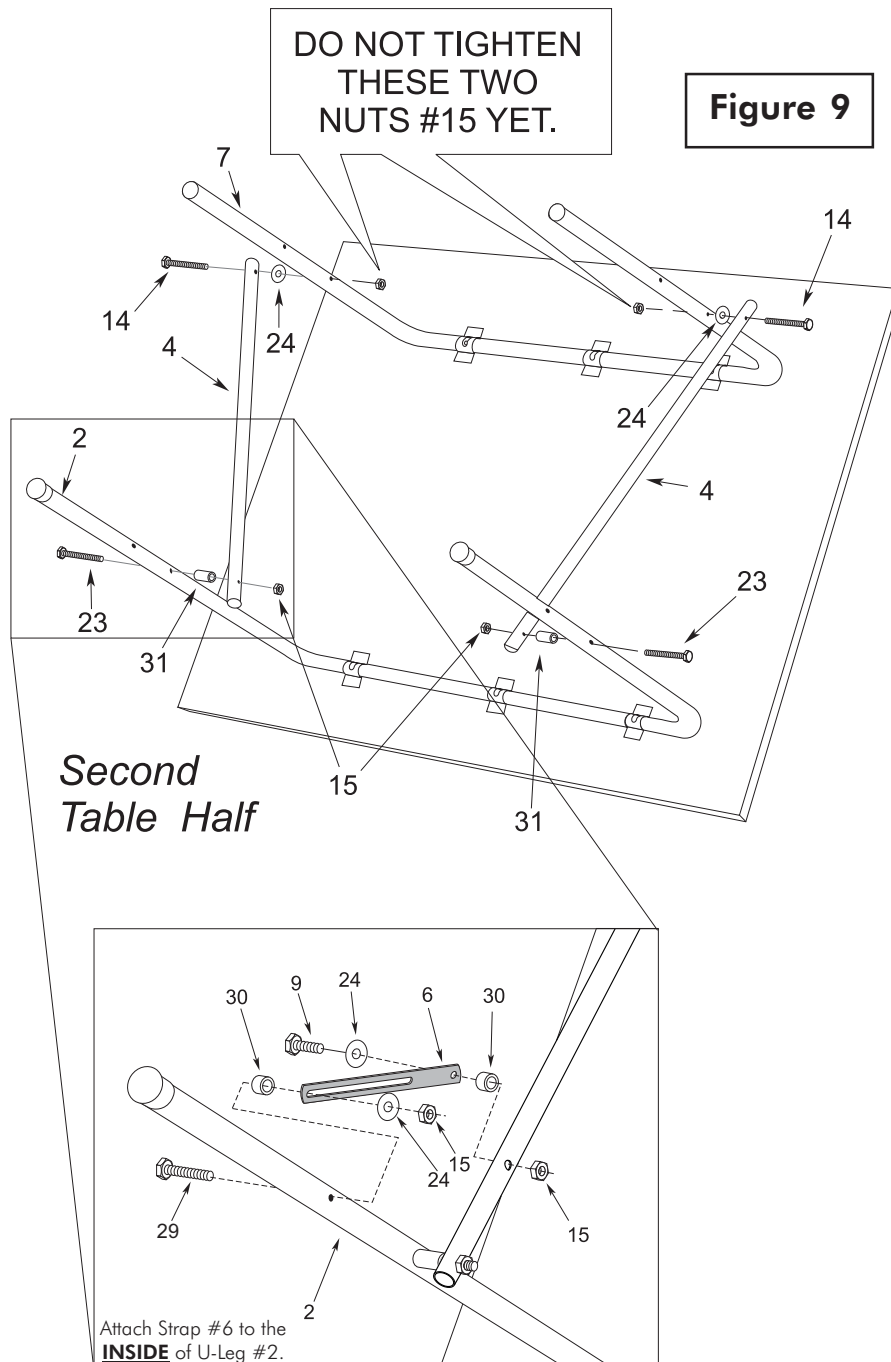
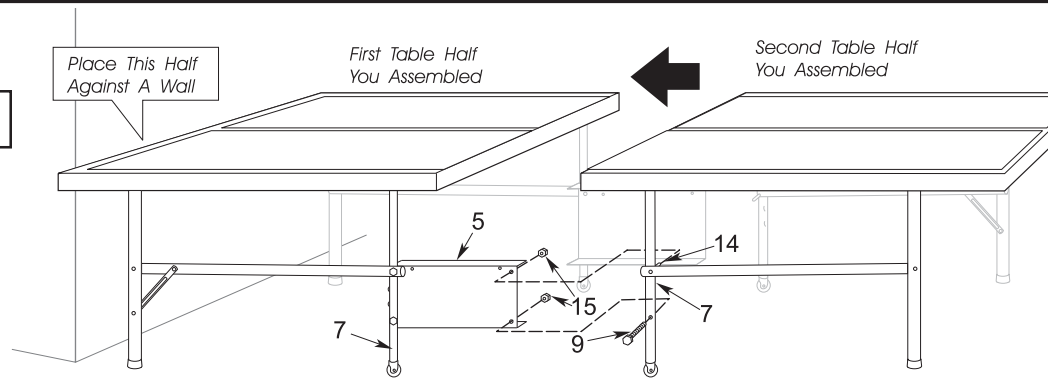


Figure 10



22. Make sure the legs on the first table top half (the half with the name panel #5) are open. With one person on each side of the table, lift and set table half on its legs. Place table against a wall as shown above to help stabilize table top half while second half is being attached. Be sure there is enough room to connect second half.



CAUTION:

BE SURE THE FIRST TABLE HALF YOU ASSEMBLED (WITH NAME PANELS #5 ATTACHED) IS STABLE AND AGAINST A WALL. DO NOT LEAVE TABLE HALF STANDING UNATTENDED.

23. Place a hex bolt #9 and a locknuts #15 on floor next to caster wheels (on both sides of the table half) so they will be handy for the next step.

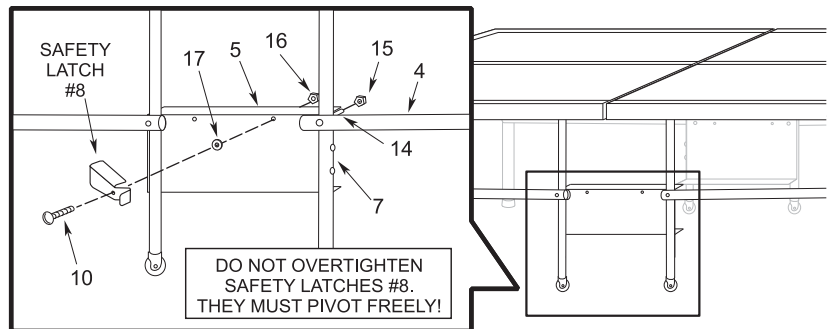
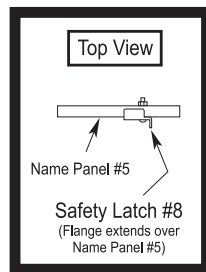


CAUTION:

UNTIL THE TABLE HALVES ARE CONNECTED THEY WILL NOT STAND ON THEIR OWN. IT IS RECOMMENDED TO HAVE THREE PEOPLE TO CONNECT TABLE HALVES. TWO TO STABILIZE TABLE AND ONE TO BOLT TABLE TOGETHER.

24. With a person on both sides of the second table half, slide the second table half against the first table half. Remove locknuts #15 from screws #14 on second table half where U-support #7 and linkages #4 join. Align holes in name panels #5 (on first table half) with holes in U-supports (on second table half). Secure second table half to top hole in name panel #5 using hex bolt #14 installed earlier and locknuts just removed. Secure second table half to bottom hole in name panel #5 with the two hex bolts #9 and locknuts #15 you placed on the floor earlier. Tighten locknuts snug but do not overtighten. These joints must pivot. At this point go back and tighten hex bolts #9.

Figure 11



CAUTION:

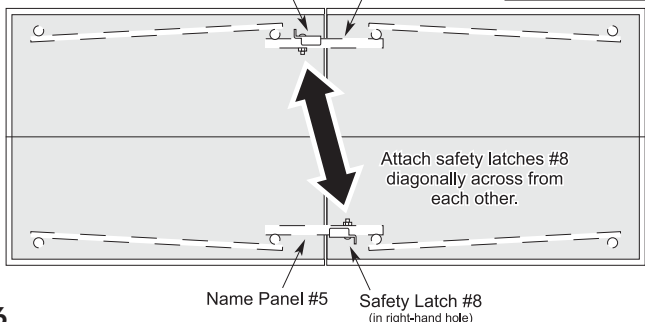
INSTALL SAFETY LATCHES #8 AS SHOWN ABOVE FOR PROPER USE OF TABLE! DO NOT SKIP THIS STEP! DO NOT OPERATE TABLE UNTIL SAFETY LATCHES ARE INSTALLED AND ASSEMBLY IS COMPLETE!

25. Choose a name panel #5 on either side of the table and install one safety latch #8 into the right-hand hole on that name panel as shown in Figures 11 & 12. Use one screw #10 one washer #17 and one hex nut #16. **NOTE: Flange on safety latch must extend over top of name panel as shown in Figure 11. Safety latch must pivot freely.**

Top View Of Table

Safety Latch #8 (in right-hand hole) Name Panel #5

Figure 12



26. Go to the other side of the table and install the second safety latch into the right-hand hole on the other name panel #5. **NOTE: Safety latches must be attached diagonally across from each other.** (See Figure 12)

OPENING AND CLOSING INSTRUCTIONS

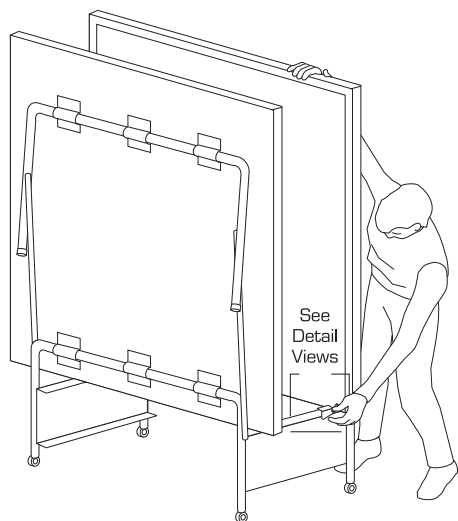


CAUTION:

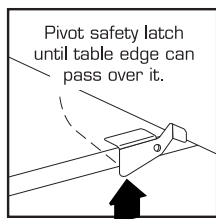
READ OPERATING INSTRUCTIONS CAREFULLY BEFORE OPERATING TABLE! DO NOT ALLOW CHILDREN TO OPEN TABLE! DO NOT CLIMB, STAND OR JUMP ON TABLE! SERIOUS OR FATAL INJURY MAY RESULT! THIS IS NOT A TOY! TABLE IS TO BE OPENED OR CLOSED BY ADULTS ONLY! FAILURE TO COMPLY WITH OPENING AND CLOSING INSTRUCTIONS COULD RESULT IN PERSONAL INJURY OR PROPERTY DAMAGE.

TO OPEN:

1. Pull both legs away from table slightly.
2. Stand behind the table near the safety latch.
3. Hold table half with one hand and pivot safety latch enough to allow the edge of the table half to pass over it.
4. While keeping an eye on the safety latch, pivot table half until it moves past the safety latch. Once edge of table has passed over safety latch, stop pivoting table half.
5. With both hands on the table half, center yourself along the table half and lower the table half to the floor.
6. Repeat for the other table half.



See Detail Views



Pivot safety latch until table edge can pass over it.

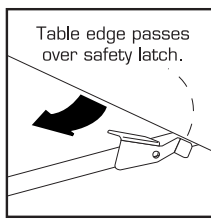
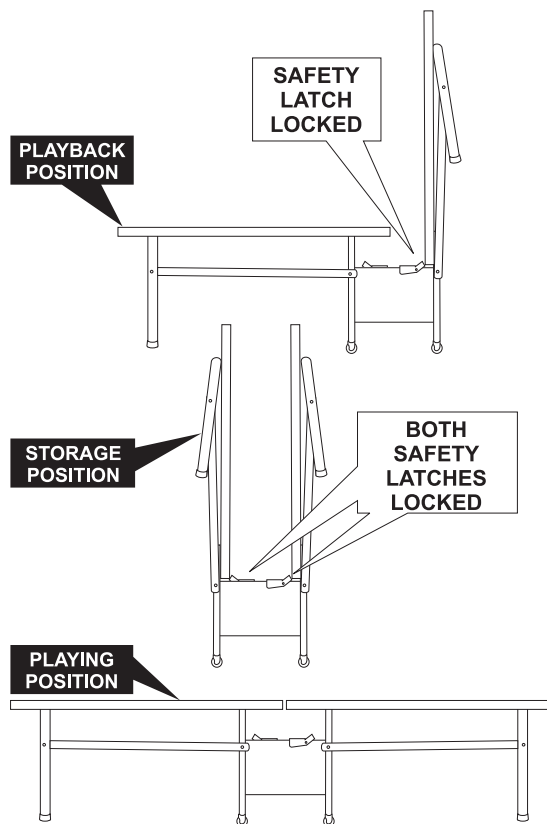


Table edge passes over safety latch.

TO CLOSE:

1. Lift table half upward and inward to vertical position.
2. Check to be sure that table half is locked in the safety latch.
3. Repeat for the other table half.



CAUTION

THIS IS A GAME TABLE. DO NOT SIT, STAND, LEAN, WALK OR JUMP ON TABLE! FAILURE TO COMPLY WITH THIS CAUTION COULD RESULT IN PERSONAL INJURY AND/OR PROPERTY DAMAGE!

90 DAY LIMITED WARRANTY

This consumer warranty extends to the original consumer purchase of any ESCALADE® SPORTS Product (hereinafter referred as the "Product").

WARRANTY DURATION: This Product is warranted to the original consumer purchase of a period of ninety (90) days from the original purchase.

WARRANTY COVERAGE: ESCALADE SPORTS warrants to the original Consumer Purchaser that any Product of its manufacture is free from defects in material and workmanship when used for the intended purpose under normal use and conditions. THIS WARRANTY IS VOID IF THE PRODUCT HAS BEEN DAMAGED BY ACCIDENT, UNREASONABLE USE, NEGLIGENCE, IMPROPER SERVICE, FAILURE TO FOLLOW INSTRUCTIONS PROVIDED WITH THE PRODUCT OR OTHER CAUSES NOT ARISING OUT OF DEFECTS IN MATERIAL AND WORKMANSHIP.

WARRANTY PERFORMANCE: During the above ninety (90) day warranty period, ESCALADE SPORTS shall repair or replace with a comparable model, and Product, or component thereof, which may prove defective under normal use and proper care, and which our examination shall disclose to our satisfaction to be thus defective, please contact our Warranty Dept.

1-866-873-3528 / Warranty Dept.

Or Write us at:

Escalade® Sports, Inc. - P.O. Box 889, Evansville, IN 47706 - Attn: Warranty Dept.

Or E-mail us at:

customerservice@escaladesports.com

Other than shipping requirements no charge will be made for such repair or replacement of in-warranty Products. ESCALADE® SPORTS strongly recommends that the Product is insured for value prior to mailing.

WARRANTY DISCLAIMERS: ANY IMPLIED WARRANTIES ARISING OUT OF THIS SALE, INCLUDING BUT NOT LIMITED TO THE IMPLIED WARRANTIES OF MERCHANTABILITY AND FITNESS FOR A PARTICULAR PURPOSE, ARE LIMITED IN DURATION TO THE ABOVE NINETY (90) DAY WARRANTY PERIOD. ESCALADE® SPORTS SHALL NOT BE LIABLE FOR LOSS OF USE OF THE PRODUCT OR OTHER CONSEQUENTIAL OR INCIDENTAL COSTS, EXPENSES OR DAMAGES INCURRED BY THE CONSUMER OF ANY OTHER USE.

Some states do not allow the exclusion or limitation of implied warranties or consequential or incidental damages, so the above limitations or exclusions may not apply to you.

LEGAL REMEDIES: This warranty gives you specific legal rights and you may also have other rights which may vary from state to state.

CARE AND MAINTENANCE

You have purchased a quality product that will give you years of enjoyment. By following these simple maintenance steps, you will add to the life of your new table.

THE TABLE TOP

The top (playing surface) of your table is made of particle board. Like all products made of wood, it can be affected by atmospheric changes in both temperature and humidity. This may cause a slight sag or distortion as the top expands or contracts. This is normal and should not cause concern as it does not detract from the play or utility value of the table. After assembly of the table, you can minimize the effects of temperature and humidity changes by storing the table in the folded up position in a dry area when table is not in use.

STORAGE OF YOUR TABLE

This table must be stored indoors to prevent damage to the playing surface. Dampness and extreme temperature changes can cause the wood to warp, swell, crack or blister. When your table is not in use, it should be folded up in a dry area. Due to the nature of particle board, table top may bow. Damp and humid conditions will amplify this. This is normal and will not affect playability of table.

CLEANING YOUR TABLE

To clean your table use a soft, damp (NOT WET) cloth only. To prevent damage to your table's playing surface, DO NOT USE ANY CHEMICALS, ABRASIVE OR CLEANING PRODUCTS on your table's playing surface.

MAINTENANCE OF YOUR TABLE

Be sure to oil all moving parts of your table including the pivot points. This will insure the safety and ease of use of your table.


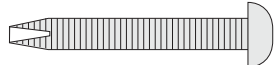

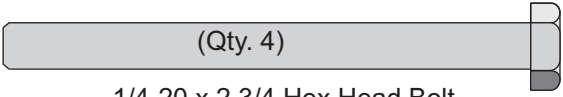
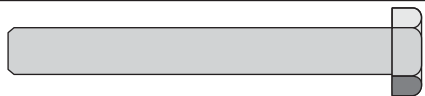
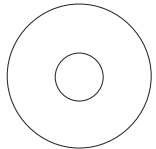
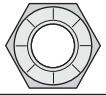
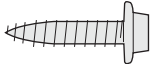

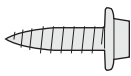



This table must be kept indoors to prevent damage to the playing surface. Dampness and extreme temperature changes which occur on patios or similar areas can cause wood to warp, swell, crack or blister.

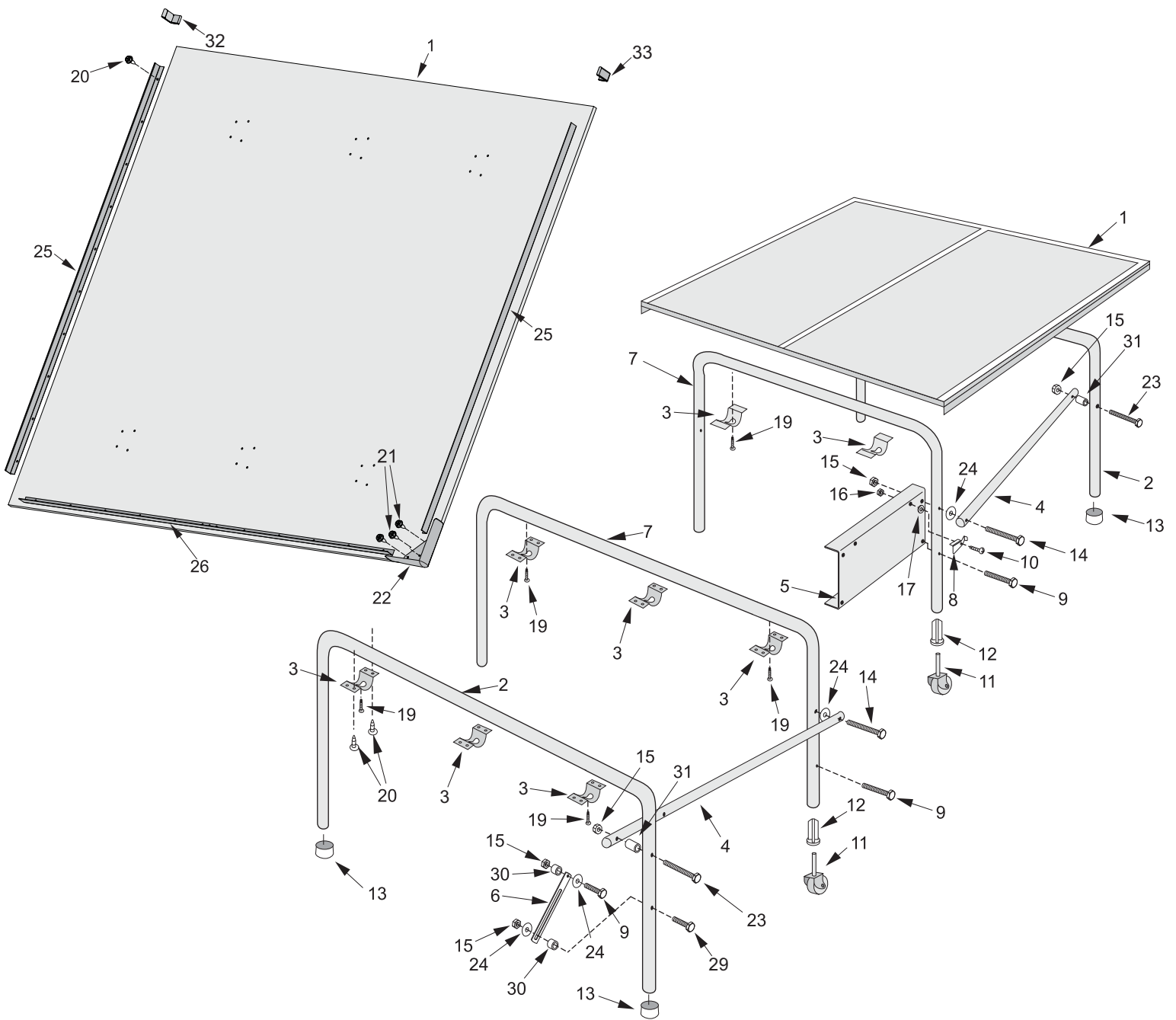
UNEVEL FLOORS

If table does not seem level, it is probably due to uneven or unlevel floors. Set the table in its PLAYING POSITION and move table several inches in different directions to find the best location for the table. If the floor is extremely unlevel, table may not play or operate properly. If table is high in the center, shim up under the outer U-legs.

HARDWARE IDENTIFIER

KEY
NO.

9	1/4-20 x 1-1/2 Hex Hd. Bolt (Qty. 6)		19	#8-32 x 1-1/4 S.M.S. (Qty. 8)	
10	#10-24 x 3/4 Rd. Hd. Screw (Qty. 2)		23	(Qty. 4) 1/4-20 x 2 3/4 Hex Head Bolt	
14	1/4-20 x 2 Hex Hd. Bolt (Qty. 4)		24	Plastic Washer (Qty. 8)	
15	1/4-20 Zinc Locknut (Qty. 16)		21	#8 x 5/8 Sheet Metal Screw (Qty. 12)	
17	#10 Flat Washer (Qty. 2)		20	#8 X 7/16 Sheet Metal Screw (Qty. 84)	
30	5/16" Spacer (Qty. 4)		29	1/4-20 x 1 3/4" Hex Hd. Bolt Qty. 2	
			31	3/4" Spacer (Qty. 4)	



PRODUCT PARTS LIST - T8621 & T8621B

Key #	T8621	T8621B	Description	Qty.	Key #	T8621	T8621B	Description	Qty.
1	4A-5467-02 (Green)	4A-5467-00 (Black)	Table	2	17	2N-0214-99	2N-0214-99	#10 Flatwasher	2
2	8S-6610-00	8S-6610-00	U-Leg	2	19	1B-4089-00	1B-4089-00	#8-32 x 1 1/4 Sheet Metal Screw	8
3	2S-6879-10	2S-6879-10	1" U-Clip	12	20	1B-6451-00	1B-6451-00	#8 x 7/16 Sheet Metal Screw	84
4	8S-6605-02	8S-6605-03	Linkage	4	21	1B-6449-00	1B-6449-00	#8 x 5/8 Hex/Phil HD SMS	12
5	2S-6780-02	2S-6780-00	Name Panel	2	22	3M-6494-00	3M-6494-00	Corner Cap	4
6	2S-6428-01	2S-6428-01	Safety Strap	2	23	1B-4135-00	1B-4135-00	1/4-20 X 2-3/4 Hex Head Bolt	4
7	8S-6755-00	8S-6755-00	U-Support	2	24	2B-6087-00	2B-6087-00	Plastic Washer	8
8	2S-6264-03	2S-6264-03	Safety Latch	2	25	2S-6384-10	2S-6384-10	3/4 Side Rail - Black	4
9	WB-1094-00	WB-1094-00	1/4-20 x 1 1/2 Hex Head Bolt	6	26	2S-6385-10	2S-6385-10	3/4 End Rail - Black	2
10	1B-4049-01	1B-4049-01	#10-24 x 3/4 Phil Round Hd. Scr	2	27	5A-6700-00	5A-6700-00	Net and Post Kit	1
11	2Q-6084-00	2Q-6084-00	Caster	4	28	2L-4132-00	2L-4132-00	Owner's Manual	1
12	3M-6115-00	3M-6115-00	Caster Socket	4	29	1B-6465-00	1B-6465-00	1/4-20 X 1-3/4 Hex Head Bolt	2
13	4C-0159-00	4C-0159-00	Leg Cap	4	30	7B-6257-00	7B-6257-00	5/16" Spacer	4
14	WB-1110-00	WB-1110-00	1/4-20 x 2 Hex Head Bolt	4	31	7B-6256-00	7B-6256-00	3/4" Spacer	4
15	WN-1008-99	WN-1008-99	1/4-20 Locknut	16	32	3M-4152-00	3M-4152-00	Vinyl End Cap RH	2
16	WB-1007-99	WB-1007-99	#10-24 Locknut	2	33	3M-4153-00	3M-4153-00	Vinyl End Cap LH	2



Play The Best®

MESA DE TENIS
NÚMERO DE MODELÓ

T8621

T8621B

MANUAL DEL USUARIO

1. **Lea este manual cuidadosamente antes de empezar a ensamblar.** Lea completamente cada uno de los pasos antes de empezar cada paso.
2. **Algunas partes pequeñas pueden ser empacadas dentro de las partes grandes. Verifique en el interior de todas las partes y cartones antes de ensamblar o solicitar partes.**
3. **Para que el ensamblado le sea más fácil, utilice la lista de partes de la página 9 para la identificación y clasificación de las partes y sus componentes. Busque los juegos de tornillos en todos los cartones. Todos los tornillos y sus componentes no se encuentren en un sólo juego.**
4. **No ajuste las partes hasta que las instrucciones se lo indiquen.** Si las partes se ajustan antes de lo indicado, es posible que los orificios no queden alineados, resultando que las partes queden fuera de su lugar y fácilmente no coincidan. Deje las tuercas de seguridad levemente flojas hasta que las instrucciones le indiquen ajustarlas.
5. **Herramientas necesarias:** Desarmador Phillips, una llave de 3/8" y dos llaves de 7/16" (Puede utilizar una llave ajustable también).
6. **No utilice herramientas eléctricas para atornillar los tornillos en el tablero de madera.** Sólo apriételes con un desarmador de mano. Apriete los tornillos seguramente, pero no los sobre apriete.
7. **Guarde estas instrucciones y recibo de pago en el evento que el fabricante deba de ser contactado para partes de remplazo.**

Por favor no devuelva este producto a la tienda!

Contacte al departamento de servicio al cliente de Escalade® Sports:

Teléfono: 1-866-873-3528 ¡Sin costo alguno!

Fax: 1-866-873-3533 ¡Sin costo alguno!

E-mail: tabletennis@escaladesports.com

Apartado postal (sólo para correspondencia):

Escalade Sports

PO Box 889

Evansville, IN 47706

Visite nuestra página Web internacional: www.escaladesports.com

SOLUCIÓN DE PROBLEMAS POR INTERNET

ASISTENCIA TÉCNICA

PEDIDO DE PARTES POR INTERNET

PREGUNTAS FRECUENTES

MÁS INFORMACIÓN SOBRE PRODUCTOS DE ESCALADE® SPORTS

ESCALADE®
SPORTS

2L-4132-00

Los productos Escalade® Sports se pueden fabricar y/o producir bajo las siguientes patentes.

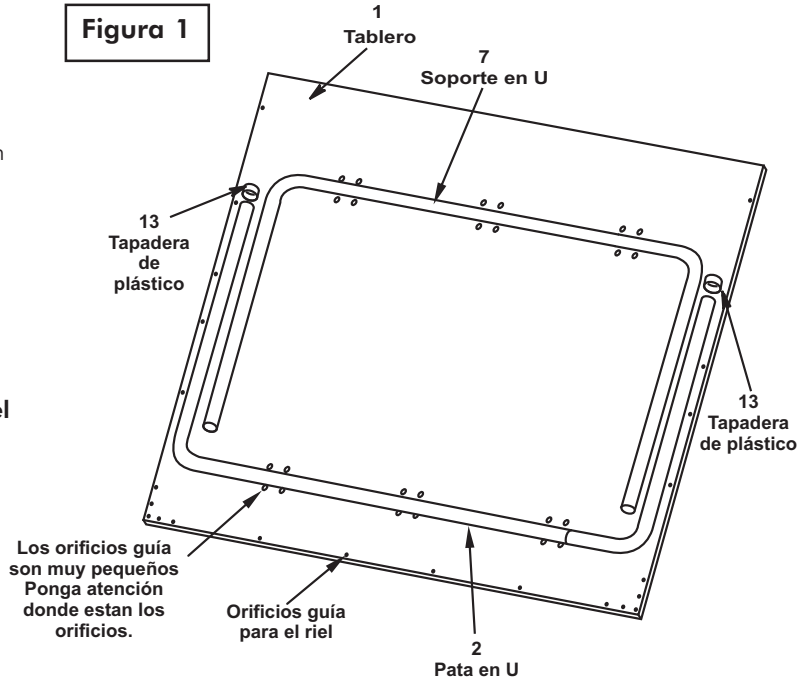
6120397, 5816957, 5769744, 5119741, 4911085, 4717157, D460140, D420563

Puede haber patentes en trámite. Una o más patentes mencionadas y/o en trámite pueden cubrir productos específicos.

©2012 Escalade® Sports

Para identificar los tornillos. Vea la lista de las partes en la página 9.

1. Coloque el tablero #1 sobre una superficie plana y lisa con el lado pintado hacia abajo. Use la caja en donde venia la mesa para proteger la pintura de la superficie de la mesa.
2. Alinee los Soporte en U (#7) y las Patas en U (#2) como está mostrado en la figura 1. **Nota: La pata en "U" es más grande y más ancha que el soporte en "U". La pata en "U" deberá ser instalada del lado extremo de la mitad de la mesa y del lado de los orificios del riel.**
3. Ponga las Tapaderas de plástico #13 en la parte de abajo de las patas en "U" #2.



ADVERTENCIA:

CUANDO ENSAMBLE LA MESA, ES EXTREMADAMENTE IMPORTANTE QUE TODAS LAS (6) ABRAZADERAS "U" (#3) ESTÉN PUESTAS COMO ESTÁN MOSTRADAS EN LA FIGURA DE ABAJO. SI LAS ABRAZADERAS "U" ESTÁN COLOCADAS INCORRECTAMENTE, USTED LE OCASIONARA DAÑOS IRREPARABLES A SU MESA CUANDO TRATE DE ABRIRLA EN LA POSICIÓN DE JUEGO.

Si desea ver un video de como poner la abrazadera en "U" vaya a: <http://www.escaladesports.com/customer-service/videos.html>

4. Alinee los orificios de las abrazaderas en "U" #3 con los orificios pequeños que están de guía ensamblados en el tablero y atornillelos con los veinticuatro tornillos #20 como están mostrados. Los cuatro orificios en cada abrazadera en U deben de estar alineados con los cuatro orificios en el Tablero.

IMPORTANTE:

Esté seguro que la ranura de todas las seis abrazaderas "U" #3 estén de frente en la misma dirección (hacia la mitad de la mesa con el tubo de soporte en "U") como está mostrado.

Este extremo es el en centro de la mesa y no tiene orificios o raya.

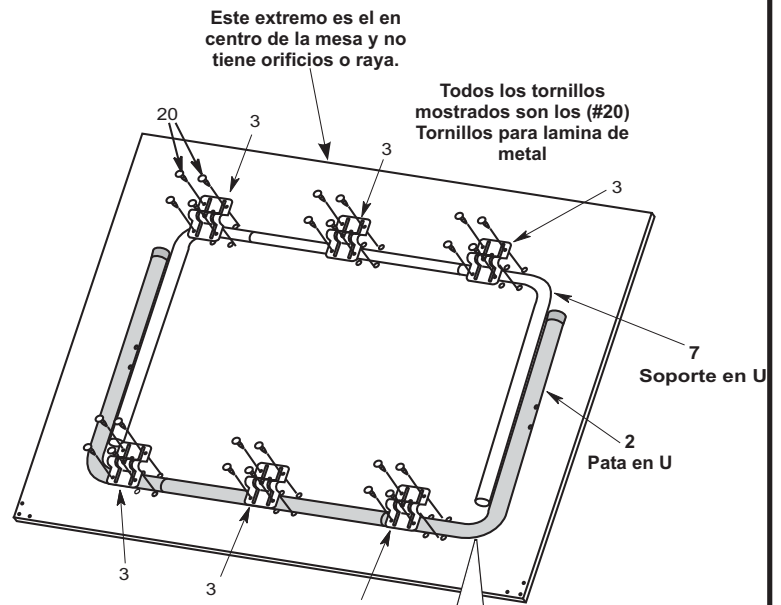
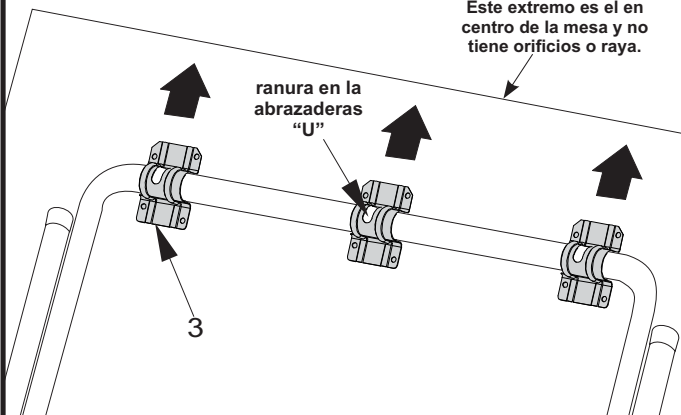


Figura 2

IMPORTANTE: La Pata en U es más ancha que el Soporte en U. Esté seguro de que éstos estén ensamblados exactamente como están mostrados. De lo contrario quedará un espacio grande entre las dos mitades de la mesa y la mesa no operará apropiadamente.

Todos los tornillos mostrados son los (#20) Tornillos para lamina de metal

Este extremo es el centro de la mesa

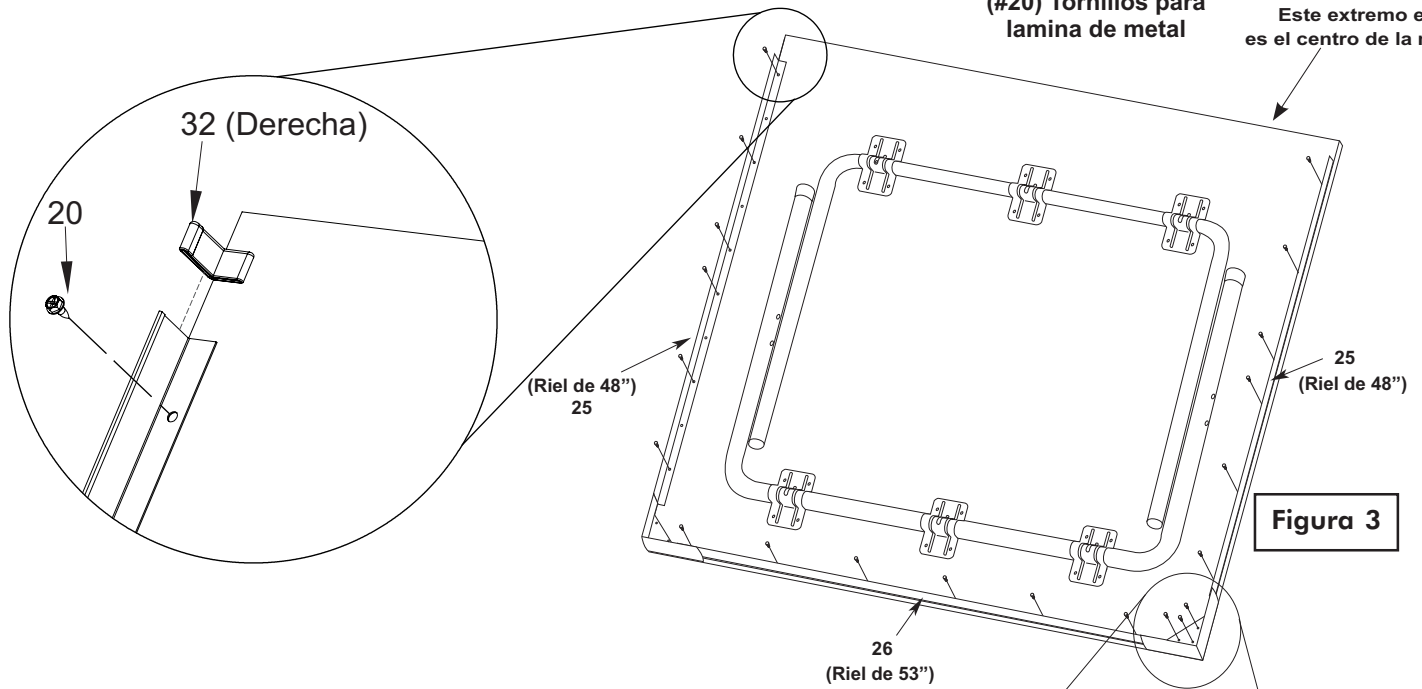


Figura 3

- 5a. Coloque los rieles #25 y #26, alrededor de los bordes del tablero, como están mostrados en la figura 3.
- 5b. Deslice las Tapas de Riel (de mano izquierda #33 y derecha #32) en el extremo de cada Riel #25 como esta mostrado.
6. Alinee los orificios de los rieles con los orificios de guía del tablero, atornillelos y asegúrelos con los dieciocho tornillos #20. Ver figura 3.
7. Coloque los Protectores de Esquina #22 al tablero como están mostrados en la figura 4. Si el protector de la esquina sobresale de la superficie del tablero, volteélo así que la parte más corta esté en contra del borde. Atornillelos y asegúrelos por la parte de abajo de la mesa con los tornillos #21.

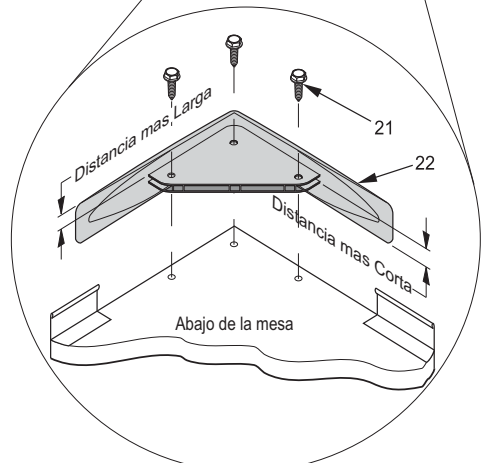


Figura 4

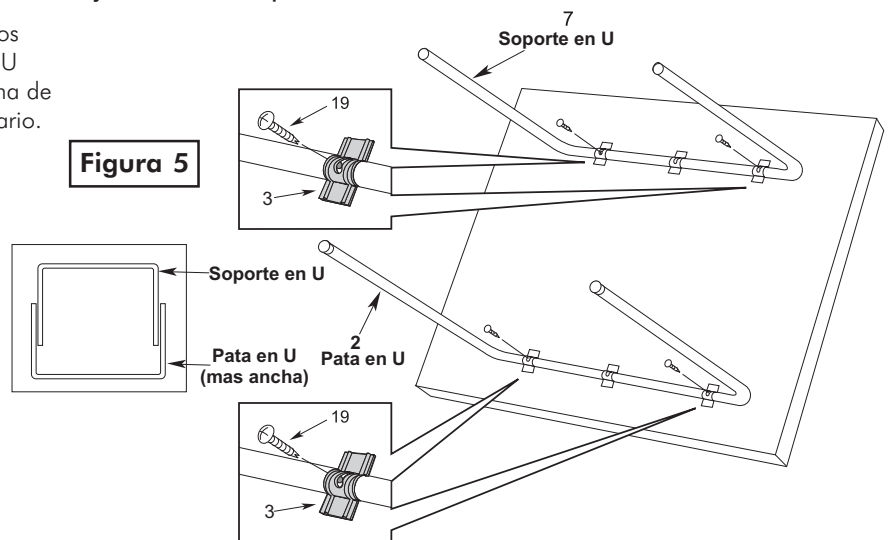
Nota: Si es necesario deslice el Soporte en U hacia adelante y hacia atrás hasta que vea el orificio.

8. Rote el soporte en forma de U #7 hasta que se vean los orificios a través de las ranuras de las abrazaderas en U #3 donde iran los tornillos. Deslice el soporte en forma de U #7 de lado a lado para ver los orificios, si es necesario. Ver **Figura 5**.

Figura 5

Nota: Para facilitar el ensamblado se puede utilizar un taladro inalámbrico y una broca Phillips **únicamente para el paso 9**. Use anteojos de seguridad.

9. Inserte el tornillo # 19 a través de las ranuras de la abrazadera "U" #3 y dentro del soporte en forma de U #7. Atornillelo al soporte en U hasta que toque el fondo del tubo. El tornillo # 19 debe sobresalir acerca de 3/8 de pulgada. Repita lo mismo para la pata en "U" #2.

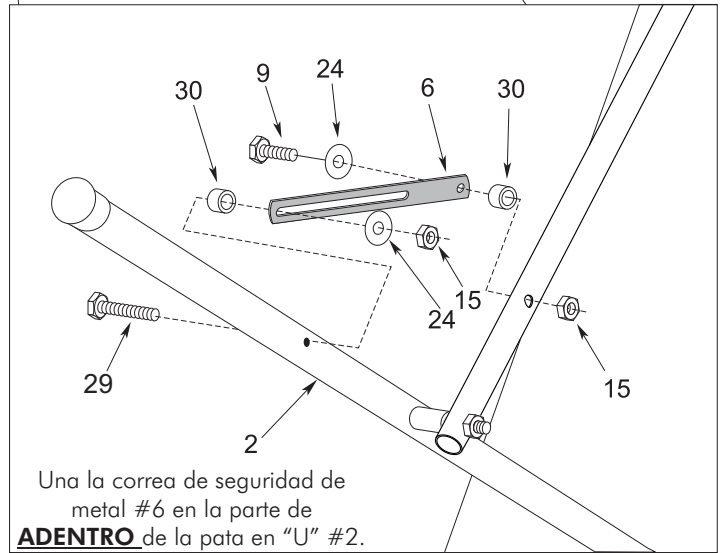
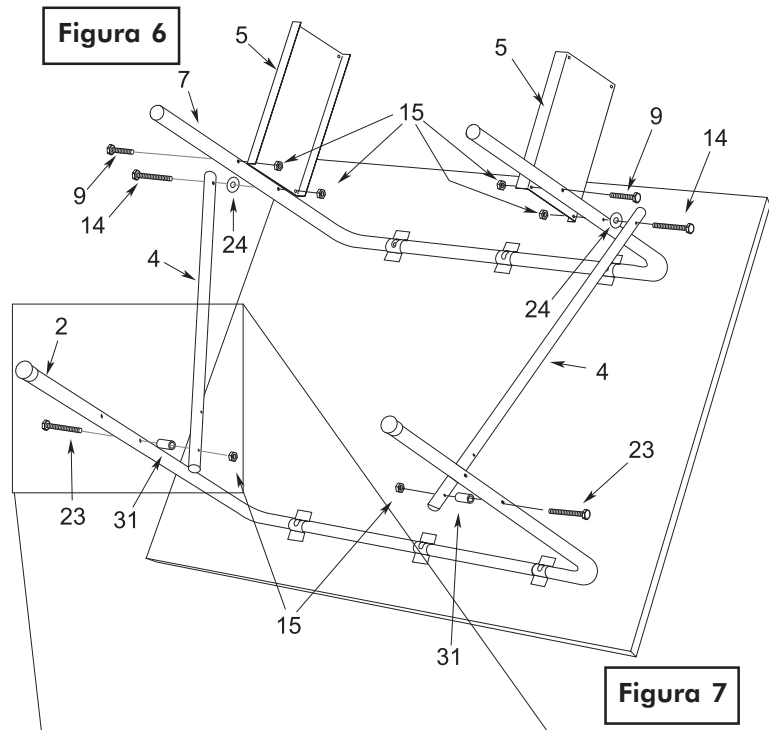


Si desea ver un vídeo de como insertar el Tornillo (#19) vaya a:
<http://www.escaladesports.com/customer-service/videos.html>

10. Una los extremos de los Tubos Conectores #4 con los dos orificios de **ADENTRO** de la pata en U#2 como están mostrados en la **Figura 6**. Atornillelos hasta el final del orificio con los tornillos # 23, las tuercas de seguridad #15 los separadores de plástico #31 Asegurándose que las tuercas y tornillos estén lo suficientemente apretados y seguros para mantener la mesa estable pero no los sobre apriete. Los tubos deben girar libremente.
11. En un lado de la mesa una el extremo con la ranura de la correa de seguridad de metal #6 por **DENTRO** de la pata en U #2 usando uno de los tornillos # 29, un separador #30, una rondana #24, y una tuerca hexagonal #15. Asegurándose que las tuercas estén apretadas y seguras. Pero no los sobre apriete. Los tubos deben girar libremente. Ver **Figura 7**.
12. Una el otro extremo de la correa de seguridad de metal #6 a la parte de **AFUERA** del Tubo Conector #4 usando uno de los tornillos # 9, una rondana #24, un separador #30, y una tuerca hexagonal #15.

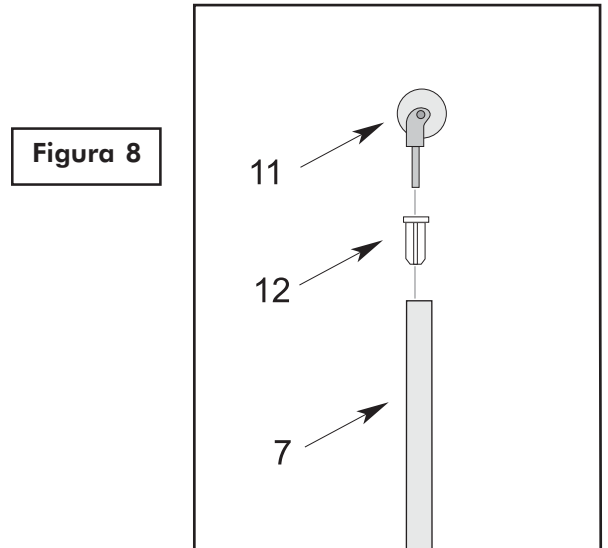
Importante: NO coloque la otra correa #6 en esta mitad de la mesa. Esta sera instalada en la otra mitad de la mesa después.

13. Una el otro extremo del Tubo Conector #4 a la parte de **AFUERA** del soporte en forma de U #7 con los tornillos # 14 y las rondanas de plástico #24, luego deslice la Placa #5 sobre los mismos tornillos # 14 por la parte de **ADENTRO** del soporte en forma de U #7. Asegúrelos con las tuercas de seguridad #15. Asegurándose que las tuercas estén apretadas y seguras. Pero no las sobre apriete. Los tubos deben girar libremente.
14. Una la parte de abajo de la placa #5 a los soportes en forma de U #7. Atornillando los tornillos hexagonales # 9, y las tuercas de seguridad # 15. Apriete las tuercas, pero esté seguro de no doblar los tubos. Ver **Figura 6**.
15. Inserte cuidadosamente casquillo de la llanta #12 dentro del soporte en forma de U #7 hasta que el borde del casquillo toque el borde del tubo. **NO GOLPEE EL CASQUILLO DIRECTAMENTE CON EL MARTILLO! COLOQUE UN PEDAZO DE MADERA SOBRE EL CASQUILLO Y GOLPE SOBRE EL PEDAZO DE MADERA PARA INSERTAR EL CASQUILLO ADENTRO DEL SOPORTE EN FORMA DE U.**
16. Inserte las llantas #11 adentro del casquillo #12.



⚠ ADVERTENCIA:
¡POR LO MENOS SE REQUIERE DE DOS (2) ADULTOS PARA MOVER LA MITAD DE LA MESA!

17. Prepare una área para el ensamblado de la Segunda mitad de la mesa. Si es necesario mueva el primer tablero a un lado con la ayuda de otra persona. Asegúrese de ponerlo en una lugar donde no estorbe y no se dañe. Y si se coloca de lado, asegurese de poner el borde inferior a no menos de 12 pulgadas de distancia de la pared. También esté seguro de poner un pedazo de alfombra o una colchoneta abajo de los bordes de la mesa para protegerlos. Si el piso no esta alfombrado ponga un objeto pesado sosteniendo la mesa para que no se resbale.



18. Repita los pasos del 1 al 12 en la segunda mitad de la mesa.
19. Inserte cuidadosamente el casquillo de la llanta #12 dentro soporte en forma de U #7 en la Segunda mitad hasta que el borde del casquillo toque el borde del tubo. **NO GOLPEE EL CASQUILLO DIRECTAMENTE CON EL MARTILLO! PONGA UN PEDAZO DE MADERA SOBRE EL CASQUILLO Y GOLPE SOBRE EL PEDAZO DE MADERA PARA INSERTAR EL CASQUILLO ADENTRO DEL SOPORTE EN FORMA DE U.**
20. Inserte las llantas #11 adentro del casquillo #12 en la segunda mitad de la mesa.
21. Una el otro extremo del Tubo Conector #4 a la parte de afuera del soporte en forma de U #7 a la Segunda mitad de la mesa con los tornillos #14, las rondanas de plástico #24 y las tuercas hexagonal #15.



ADVERTENCIA:

¡POR LO MENOS SE REQUIERE DE DOS (2) ADULTOS PARA MOVER LA MITAD DE LA MESA!

NOTA: Apriete las tuercas de seguridad #15 con la mano nadamas. Serán removidas cuando las dos lados de las mesas esten unidas.

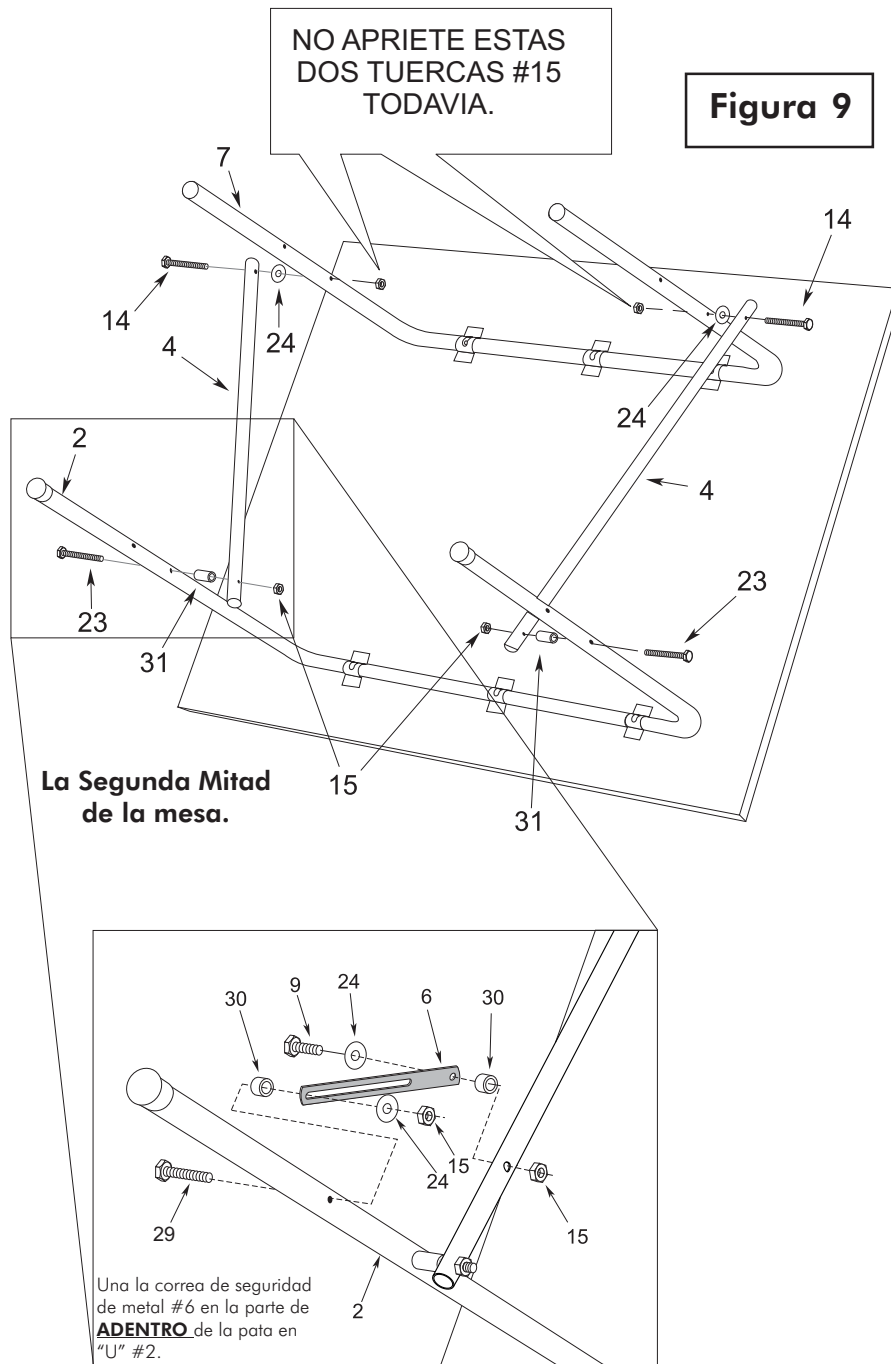
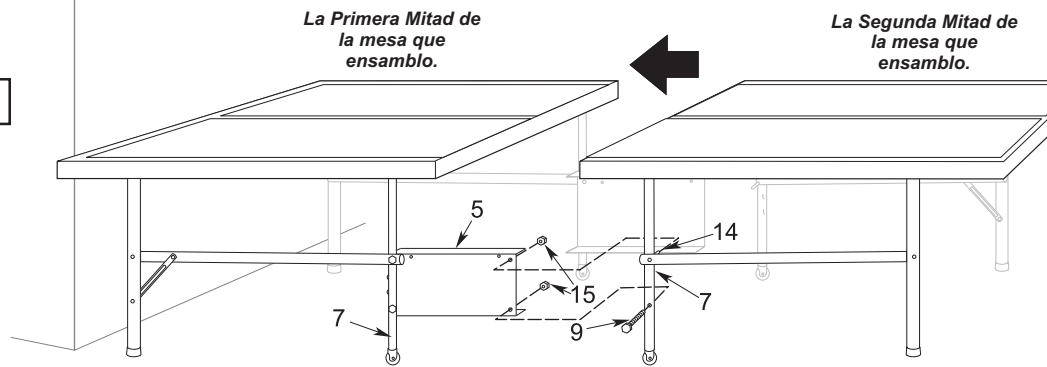


Figura 10



22. Esté seguro que las patas de la primera mitad de la mesa (la mitad con la placa #5) estén abiertas. Con una persona en cada lado de la mesa, levante y ponga la mitad de la mesa como se muestra en la **Figura 10**. Coloque la mesa contra la pared como está mostrado arriba, para ayudar a estabilizar la mitad de la mesa mientras que la Segunda mitad esta siendo colocada. Asegúrese que haya suficiente espacio para colocar la segunda mitad de la mesa.



ADVERTENCIA: ESTÉ SEGURO QUE LA PRIMERA MITAD DE LA MESA QUE USTED ENSAMBLÓ (CON LAS PLACAS #5) ESTÉ ESTABLE Y CONTRA LA PARED. NO DEJE LA MITAD DE LA MESA DESATENDIDA.

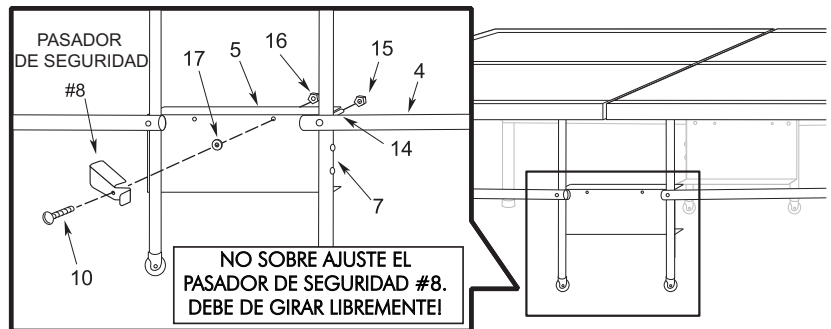
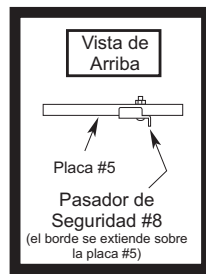
23. Ponga el tornillo hexagonal # 9 y las tuercas de seguridad # 15 sobre el piso a un lado de las llantas (en ambos lados de la mitad de la mesa) así las tendrá a la mano para el próximo paso.



ADVERTENCIA: HASTA QUE LAS DOS MITADES DE LA MESA ESTÉN UNIDAS NO PUEDEN ESTAR PARADAS SOLAS. SE RECOMIENDA TRES (3) PERSONAS PARA UNIR LAS DOS MITADES DE LA MESA. DOS PERSONAS PARA SOSTENER LA MESA Y UNA PERSONA PARA ATORNILLAR LOS TORNILLOS A LA MESA.

24. Con una persona en cada uno de los lados de la Segunda mitad de la mesa, deslice la Segunda mitad o tablero contra de la primera mitad. Remueva las tuercas de seguridad # 15 de los tornillos # 14 de la Segunda mitad donde el soporte en forma de U #7 y los Tubos Conectores #4 se unen. Alinee los orificios de la Placa #5 los tornillos hexagonal # 14 que fueron instalados anteriormente y las tuercas de seguridad que removi6. Asegure la Segunda mitad de la mesa con el orificio de abajo de la Placa #5 con los dos tornillos hexagonales # 9 y las tuercas de seguridad # 15 que usted puso en el piso con anterioridad. Asegurándose que las tuercas estén apretadas y seguras. Pero no las sobre apriete. Estas uniones deben moverse. Hasta este punto regrese y apriete los tornillos hexagonales # 9. Ver Figura 10.

Figura 11



ADVERTENCIA: INSTALE LOS PASADORES DE SEGURIDAD #8 COMO SE MUESTRA ARRIBA PARA EL USO APROPIADO DE LA MESA! NO OMITA ESTE PASO! NO USE LA MESA HASTA QUE LOS PASADORES DE SEGURIDAD ESTÉN INSTALADOS Y HASTA QUE HAYA TERMINADO DE ENSAMBLAR LA MESA.

25. Escoja la Placa #5 en cualquiera de los lados de la mesa instale el Pasador de seguridad #8 dentro del lado derecho del orificio sobre la Placa como está mostrado en las **Figuras 11 y 12**. Use uno de los tornillos #10, una rondana #17 y una tuerca hexagonal #16. **NOTA: el borde del pasador de seguridad debe ir extendido sobre de la placa como está mostrada en Figura 11. el pasador de seguridad debe moverse libremente.**

26. Vaya al otro lado de la mesa e instale el segundo Pasador de seguridad #8 dentro del lado derecho del orificio sobre la Placa #5. **NOTA: Los Pasadores de seguridad deben ir unidos diagonalmente cruzados de cada uno. (Ver Figura 12)**

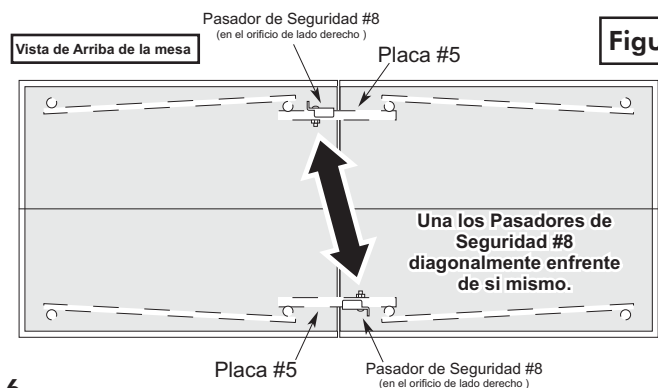


Figura 12

INSTRUCCIONES PARA ABRIR Y CERRAR LA MESA

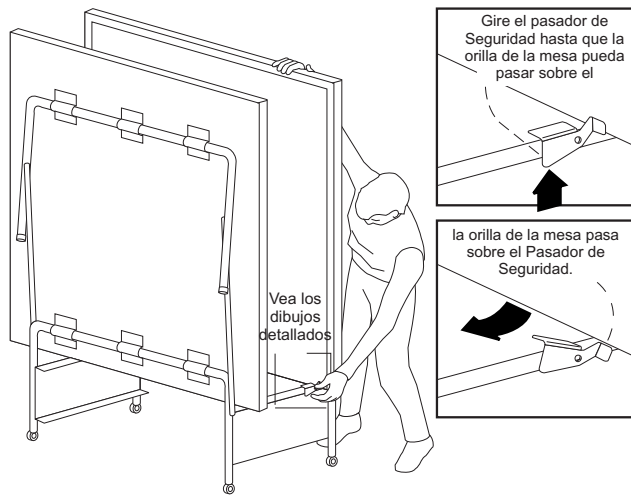


ADVERTENCIA!

¡LEA LAS INSTRUCCIONES DE MANEJO ANTES DE MOVER LA MESA! ¡NO PERMITA QUE NIÑOS ABran LA MESA! NO DEBEN DE PARARSE, SUBIRSE O BRINCAR SOBRE LA MESA. PUEDEN OCURRIR LESIONES GRAVES O MORTALES. ¡ESTA MESA NO ES UN JUGUETE! ¡ÚNICAMENTE LOS ADULTOS DEBEN ABRIR O CERRAR LA MESA. NO CUMPLIR CON LAS INSTRUCCIONES PARA ABRIR Y CERRAR LA MESA PUEDE RESULTAR EN LESIONES PERSONALES O DAÑOS MATERIALES.

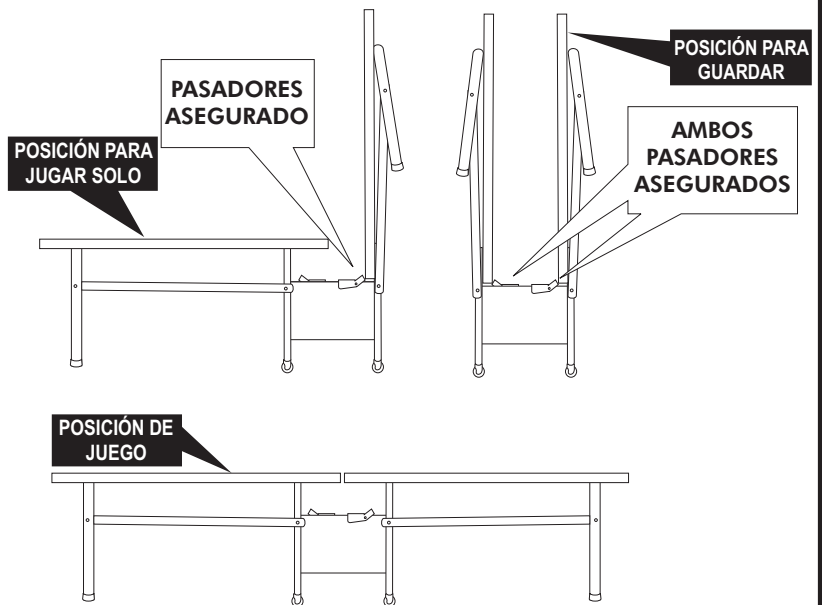
PARA ABRIR:

1. Jale cuidadosamente ambas patas de la mesa
2. Párese detrás de la mesa cerca de el pasador de seguridad.
3. detenga la mitad de la mesa con una mano y gire el pasador de seguridad lo suficientemente para permitir que pase sobre la orilla de la mitad de la mesa.
4. Mientras cuida el pasador de seguridad, gire la mitad de la mesa hasta que se mueva y pase el pasador de seguridad. Una vez que ha pasado sobre el pasador de seguridad, pare de girar la mitad de la mesa.
5. Con ambas manos sobre la mitad de la mesa. Desde el centro de la mitad de la mesa baje la mitad de la mesa a el piso.
6. Repita los mismos pasos para la otra mitad de la mesa.



PARA CERRAR:

1. Levante la mitad de la mesa hacia arriba y hacia el interior y adentro hasta la posición vertical.
2. Asegúrese que la mitad de la mesa esté asegurada con el pasador de seguridad.
3. Repita los mismos pasos para la otra mitad de la mesa.



PRECAUCIÓN

ESTA ES UNA MESA DE JUEGO. NO DEBEN DE PARARSE, SUBIRSE O BRINCAR SOBRE LA MESA. DE NO CUMPLIR CON LAS INSTRUCCIONES PARA ABRIR Y CERRAR LA MESA PUEDE RESULTAR EN LESIONES PERSONALES O DAÑOS MATERIALES.

GARANTÍA LIMITADA POR 90 DÍAS

Esta garantía es aplicable para consumidores de la compra original de cualquier producto ESCALADE® SPORTS (en adelante denominado el "Producto").

DURACIÓN DE LA GARANTÍA: Se garantiza este Producto al comprador original por un período de (90) días a partir de la fecha de compra.

COBERTURA DE LA GARANTÍA: ESCALADE SPORTS le garantiza al comprador original que cualquier producto de su fabricación está libre de defectos en los materiales y fabricación cuando se lo utiliza para el propósito establecido, bajo condiciones normales de uso. ESTA GARANTÍA NO TIENE VALIDEZ SI EL PRODUCTO SE HA DETERIORADO POR ACCIDENTE, USO INDEBIDO, NEGLIGENCIA, MANTENIMIENTO INCORRECTO, NO SEGUIR LAS INSTRUCCIONES QUE VIENEN CON EL PRODUCTO U OTRAS CAUSAS NO RELACIONADAS CON DEFECTOS EN LOS MATERIALES O FABRICACIÓN.

APLICACIÓN DE LA GARANTÍA: Durante el período de garantía de (90) días, ESCALADE SPORTS reparará o reemplazará con otro similar, todo modelo o Producto o componente que resulte defectuoso bajo condiciones normales de uso y cuidado, cuando nuestra inspección demuestre que a nuestra satisfacción el mismo realmente es defectuoso; sírvase contactar a nuestro Departamento de Garantía.

1-866-873-3528 / Departamento de Garantía (Warranty Dept.)

○ escribanos a:

Escalade® Sports, Inc. - P.O. Box 889, Evansville, IN 47706 - Attn: Warranty Dept.

○ por correo electrónico a:

tabletennis@escaladesports.com

Fuera de los gastos de envío, no se impondrá cargo alguno por la reparación o reemplazo de los productos en garantía. ESCALADE® SPORTS recomienda asegurar los Productos por su valor antes del envío.

LIMITACIÓN DE LA GARANTÍA: TODA GARANTÍA ORIGINADA EN ESTA VENTA, INCLUYENDO EN FORMA NO TAXATIVA, LAS GARANTÍAS IMPLÍCITAS DE COMERCIALIZACIÓN Y APTITUD PARA UN FIN ESPECÍFICO, TENDRÁ VIGENCIA POR UN PLAZO DE (90) DÍAS. ESCALADE® SPORTS NO SERÁ RESPONSABLE POR LA PÉRDIDA DE USO DEL PRODUCTO U OTROS COSTOS INCIDENTALES O RELACIONADOS, PERJUICIOS O PERDIDAS GENERADAS POR EL CONSUMIDOR ANTE CUALQUIER OTRO USO.

Algunos estados no permiten la exclusión o limitación de las garantías implícitas o daños incidentales o conexos, de modo que las limitaciones que anteceden pueden no ser aplicables en su caso.

RECURSOS LEGALES: Esta garantía le otorga algunos derechos específicos además de otros derechos que varían según el estado.

CUIDADO Y MANTENIMIENTO

Usted ha comprado un producto de calidad que podrá disfrutar muchos años. Si sigue estos simples pasos de mantenimiento, alargará la vida de la mesa.

TABLERO

El tablero (superficie de juego) está construido de aglomerado. Al igual que todos los productos de madera, se puede ver afectado por cambios de temperatura y humedad causando una leve deformación por expansión o contracción. Esta situación es normal y no resta valor a la mesa ni afecta el juego. Después de armada, guardar plegada en lugar seco cuando no está en uso para minimizar los efectos de cambios de temperatura y humedad.

GUARDADO DE LA MESA

Se debe guardar la mesa en el interior para prevenir daños en la superficie de juego. La humedad y los cambios bruscos de temperatura pueden provocar alabeo, hinchazón, fisuras o ampollado de la madera. Cuando la mesa no se encuentra en uso, guardar plegada en lugar seco. Debido a la naturaleza del aglomerado, se puede alabear la superficie. La humedad puede aumentar este efecto que es normal y no afecta el uso de la mesa.

LIMPIEZA

Para limpiar la mesa, utilizar un trapo suave y húmedo solamente (NO MOJADO). Para evitar daños en la superficie de juego, NO UTILIZAR AGENTES QUÍMICOS, ABRASIVOS NI PRODUCTOS DE LIMPIEZA sobre el tablero.


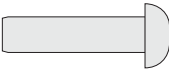

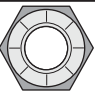
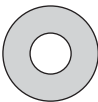



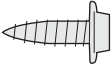



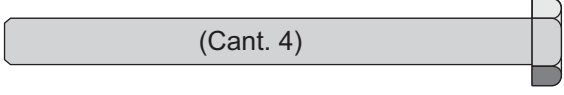
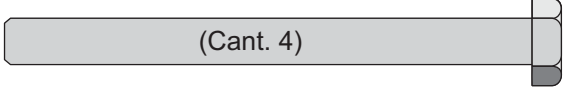
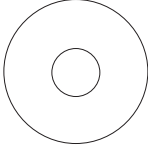

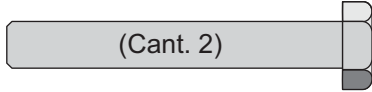
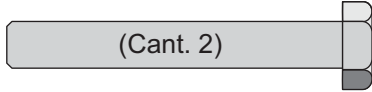
MANTENIMIENTO

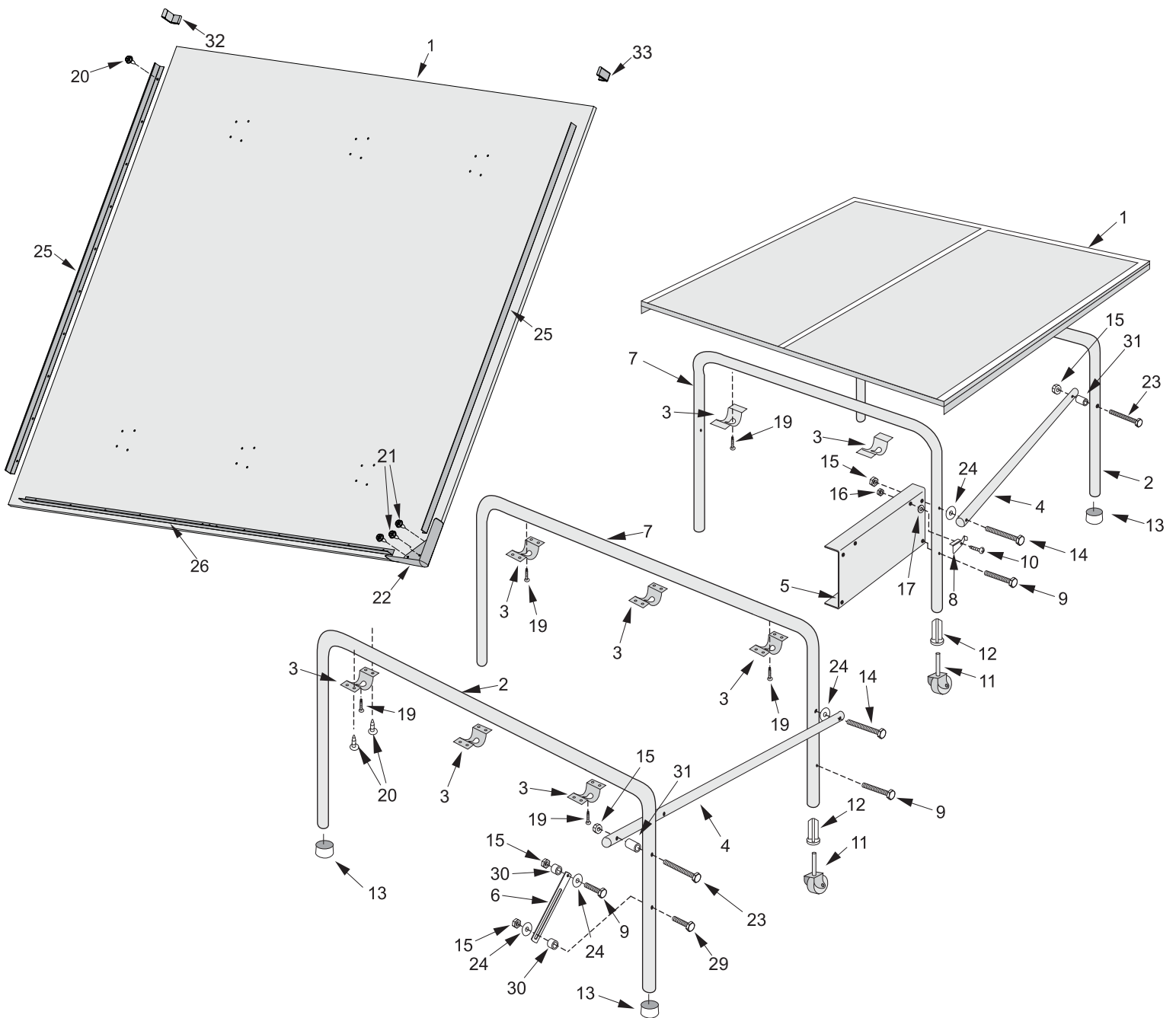
Lubricar todas las partes móviles, incluyendo los puntos de giro. Esto garantizará la seguridad y facilidad de uso.

Guardar en lugar cerrado para impedir daños en la superficie de juego. La humedad y los cambios bruscos de temperatura que se producen en patios o áreas similares pueden provocar el alabeo, hinchazón, fisuras o ampollado de la madera.

PISOS DESNIVELADOS

Si la mesa no parece estar nivelada, probablemente se deba a pisos desparejos o desnivelados. Colocar la mesa en POSICION DE JUEGO y moverla algunas pulgadas en distintas direcciones hasta encontrar una mejor ubicación. Si el piso está extremadamente desnivelado, no se puede utilizar la mesa adecuadamente. Si el tablero está más alto en el medio, suplementar con una cuña las patas exteriores.

NUM. DE REFERENCIA	IDENTIFICADOR DE TORNILLOS	
9	1/4-20 x 1-1/2 Tornillo de cabeza Hexagonal (Cant. 6)	
10	#10-24 x 3/4 Tornillo de Phillips (Cant. 2)	
14	1/4-20 x 2 Tornillo de cabeza Hexagonal (Cant. 4)	
15	1/4-20 Tuerca de Seguridad (Cant. 16)	
17	#10 Rondana (Cant. 2)	
30	 Separador de 5/16" (Cant. 4)	
16	#10-24 Tuerca de Seguridad (Cant. 2)	
20	#8 X 7/16 Tornillo para lamina de metal (Cant. 84)	
31	 Separador de 3/4" (Cant. 4)	
19	#8-32 X 1-1/4 Tornillo S.M.S. (Cant. 8)	
23	 (Cant. 4) 1/4-20 X 2 3/4 Tornillo de Cabeza Hexagonal	
24	Rondana de Plastico (Cant. 8)	
21	#8 x5/8 Tornillo para lamina de metal (Qty. 12)	
29	 (Cant. 2) 1/4-20 x 1-3/4 Tornillo de cabeza Hexagonal	



LISTA DE PARTES REEMPLAZABLES - T8621 & T8621B

# de Ref.	T8621	T8621B	Descripción	Cant.	# de Ref.	# de Parte	Descripción	Cant.
1	4A-5467-02 (Verde)	4A-5467-00 (Negro)	Tablero	2	17	2N-0214-99	2N-0214-99 #10 Rondana	2
2	8S-6610-00	8S-6610-00	Pata en U	2	19	1B-4089-00	1B-4089-00 #8-32 x 1 1/4" Tornillo para lamina/metal	8
3	2S-6879-10	2S-6879-10	Abrazadera en U -1"	12	20	1B-6451-00	1B-6451-00 #8 x 7/16 Tornillo para lamina/metal	84
4	8S-6605-02	8S-6605-03	Tubo Conector	4	21	1B-6449-00	1B-6449-00 #8 x 5/8 Tornillo SMS Hexagonal	12
5	2S-6780-02	2S-6780-00	Placa	2	22	3M-6494-00	3M-6494-00 Protector de Esquinas	4
6	2S-6428-01	2S-6428-01	Tira de metal de Seguridad	2	23	1B-4135-00	1B-4135-00 1/4-20 x 2 3/4" Tornillo Hexagonal	4
7	8S-6755-00	8S-6755-00	Tubo de Soporte en U	2	24	2B-6087-00	2B-6087-00 Rondana de plástico	8
8	2S-6264-03	2S-6264-03	Pasador de Seguridad	2	25	2S-6384-10	2S-6384-10 3/4" Riel Lateral - Negro	4
9	WB-1094-00	WB-1094-00	1/4-20 x 1 1/2 Tornillo Hex.	6	26	2S-6385-10	2S-6385-10 3/4" Riel del Extremo - Negro	2
10	1B-4049-01	1B-4049-01	#10-24 x 3/4 Tornillo Phillips	2	27	5A-6700-00	5A-6700-00 Red y Postes	1
11	2Q-6084-00	2Q-6084-00	Llanta	4	28	2L-4132-00	2L-4132-00 Manual del Usuario	1
12	3M-6115-00	3M-6115-00	Casquillo para llanta	4	29	1B-6465-00	1B-6465-00 1/4-20 X 1 3/4" Tornillo Hexagonal	2
13	4C-0159-00	4C-0159-00	Tapadera de plástico	4	30	7B-6257-00	7B-6257-00 5/16" Separador	4
14	WB-1110-00	WB-1110-00	1/4-20 x 2 Tornillo Hexagonal	4	31	7B-6256-00	7B-6256-00 3/4" Separador	4
15	WN-1008-99	WN-1008-99	1/4-20 Tuerca de Seguridad	16	32	3M-4152-00	3M-4152-00 Tapa del Riel (Mano Derecha)	2
16	WB-1007-99	WB-1007-99	#10-24 Tuerca de Seguridad	2	33	3M-4153-00	3M-4153-00 Tapa del Riel (Mano Izquierda)	2