



Be sure to write your model number and serial number here for future reference. You can find these numbers printed on the bottom of the table.

MODEL NO.: T8755W/F  
DATE CODE : CPSIA#2-T8755W/F-\_\_\_\_\_-SY  
PURCHASE DATE : \_\_\_\_\_

# OWNER'S MANUAL

1. Read this manual carefully before starting assembly. Read each step completely before beginning each step.
2. Some smaller parts may be shipped inside larger parts. Check inside all parts and cartons before assembling or ordering parts.
3. If hardware is tightened too soon, mounting holes may not align and parts may not easily fit together. Leave bolts slightly loose until you are instructed to tighten them.
4. To make assembly as easy as possible, place all parts of the table tennis in a cleared area and remove the packaging material. Organize all parts as per parts identifier in the assembly manual. Do not dispose of the packing material until assembly is completed.
5. Avoid scratching table tennis top and metal tube parts during the assembly process.
6. Assemble product on clean, level and flat surface.
7. Take time to correctly orientate parts exactly as per each assembly diagram.
8. Save this instruction in the event that the manufacturer has to be contacted for replacement parts.



## CAUTION:

**READ ASSEMBLY, OPERATING AND SAFETY INSTRUCTIONS CAREFULLY! AT LEAST TWO ADULTS ARE NEEDED TO PUT THIS TABLE TOGETHER!**

Thank you for buying our product. We try hard to ensure that our products are of high quality and free of problems, such as Manufacturing defects or missing parts. However, if you have any problems with your new product, please **DO NOT RETURN IT TO THE STORE!**

## Please Do Not Return This Product To The Store!

Contact Escalade® Sports customer service department at:

Phone: 1-866-873-3528 Toll-Free!  
Fax: 1-866-873-3533 Toll-Free!  
E-mail: [tabletennis@escaladesports.com](mailto:tabletennis@escaladesports.com)

Mailing Address  
(correspondence only):  
Escalade Sports  
PO Box 889, Evansville, IN 47706

Physical Location:  
Escalade Sports  
817 Maxwell Ave.  
Evansville, IN 47711

Please provide model number and/or part number of the product and/or part when you call or write. These numbers can be found on the product, packaging, and/or in this Owner's Manual.

Please visit our website at: [www.escaladesports.com](http://www.escaladesports.com)

ON-LINE TROUBLE SHOOTING

TECHNICAL ASSISTANCE

ON-LINE PARTS REQUESTS

FREQUENTLY ASKED QUESTIONS

ADDITIONAL ESCALADE® SPORTS PRODUCT INFORMATION

# ESCALADE®

---

# S P O R T S

# CARE AND MAINTENANCE

You have purchased a quality product that will give you years of enjoyment. By following these simple maintenance steps, you will add to the life of your new table.

## **THE TABLE TOP**

The top (playing surface) of your table is made of Mid-Density Board. Like all products made of wood, it can be affected by atmospheric changes in both temperature and humidity. This may cause a slight sag or distortion as the top expands or contracts. This is normal and should not cause concern as it does not detract from the play or utility value of the table. After assembly of the table, you can minimize the effects of temperature and humidity changes by storing the table in a dry area when table is not in use.

## **STORAGE OF YOUR TABLE**

This table must be stored indoors to prevent damage to the playing surface. Dampness and extreme temperature changes can cause the wood to warp, swell, crack or blister. When your table is not in use, it should be stored in a dry area. Due to the nature of particle board, table top may bow. Damp and humid conditions will amplify this. This is normal and will not affect playability of table.

## **CLEANING YOUR TABLE**

To clean your table use a soft, damp (NOT WET) cloth only. To prevent damage to your table's playing surface, DO NOT USE ANY CHEMICALS, ABRASIVE OR CLEANING PRODUCTS on your table's playing surface.

## **MAINTENANCE OF YOUR TABLE**

Be sure to oil all moving parts of your table including the pivot points. This will insure the safety and ease of use of your table.

This table must be kept indoors to prevent damage to the playing surface. Dampness and extreme temperature changes which occur on patios or similar areas can cause wood to warp, swell, crack or blister.

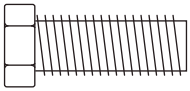
## **UNEVEL FLOORS**

If table does not seem level, it is probably due to uneven or unlevel floors. Set the table in its PLAYING POSITION and move table several inches in different directions to find the best location for the table. If the floor is extremely unlevel, table may not play or operate properly.

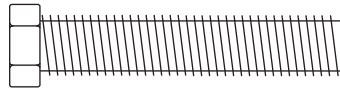
If table is high in the center, shim up under the outer legs.

The table has leg levelers - Adjust leg levelers as required.

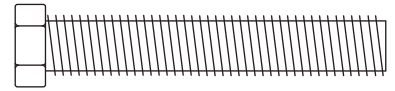
# HARDWARE IDENTIFIER (To Scale)



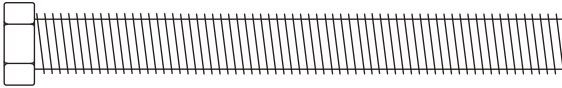
**H1** - 8 mm x 20 mm  
Hex Head Bolt  
(8 pcs)



**H2** - 8 mm x 40 mm  
Hex Head Bolt  
(8 pcs)



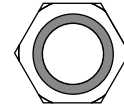
**H3** - 8 mm x 45 mm  
Hex Head Bolt  
(6 pcs)



**H4** - 8 mm x 70 mm  
Hex Head Bolt  
(4 pcs)



**H5** - 8 mm x 20 mm  
Flat Washer  
(32 pcs)

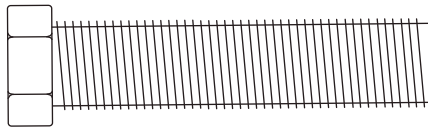


**H6** - 8 mm Nylon  
Lock Nut  
(22 pcs)

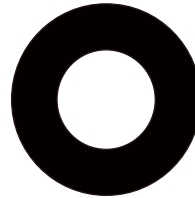


**H7** - Plastic  
Step Washer  
(16 pcs)

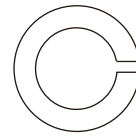
## FOR LEG LEVELER (To Scale)



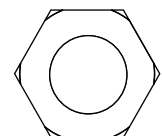
**H8** - 12 mm x 50 mm  
Hex Head Bolt  
(4 pcs)



**H9** - 12 mm x 25 mm  
Flat Washer  
(4 pcs)

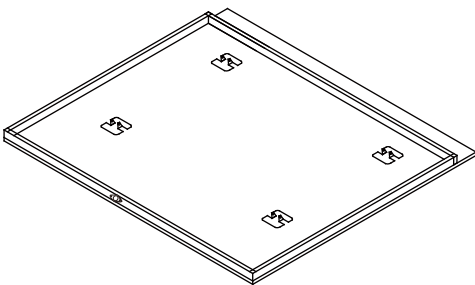


**H10** - M12  
Lock Washer  
(4 pcs)

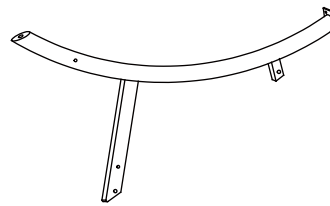


**H11** - 12 mm Nut  
(4 pcs)

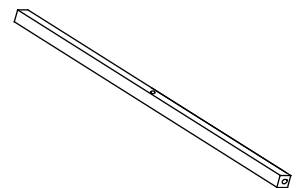
# PARTS IDENTIFIER (Not to Scale)



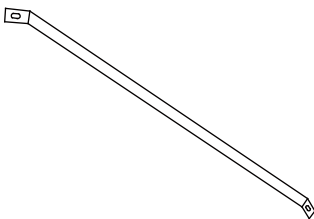
**P1** - Table Tennis Table Top  
Frame Assembly  
(2 pcs)



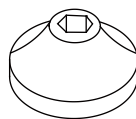
**P2** - Leg (4 pcs)



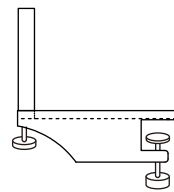
**P3** - Leg Support Tube  
(2 pcs)



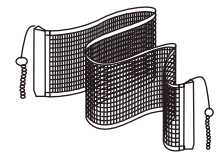
**P4** - Leg Support Brace  
(4 pcs)



**P5** - Leg Leveler  
(4 pcs)



**P6** - Net Post  
(2 pcs)



**P7** - Net (1 pc)

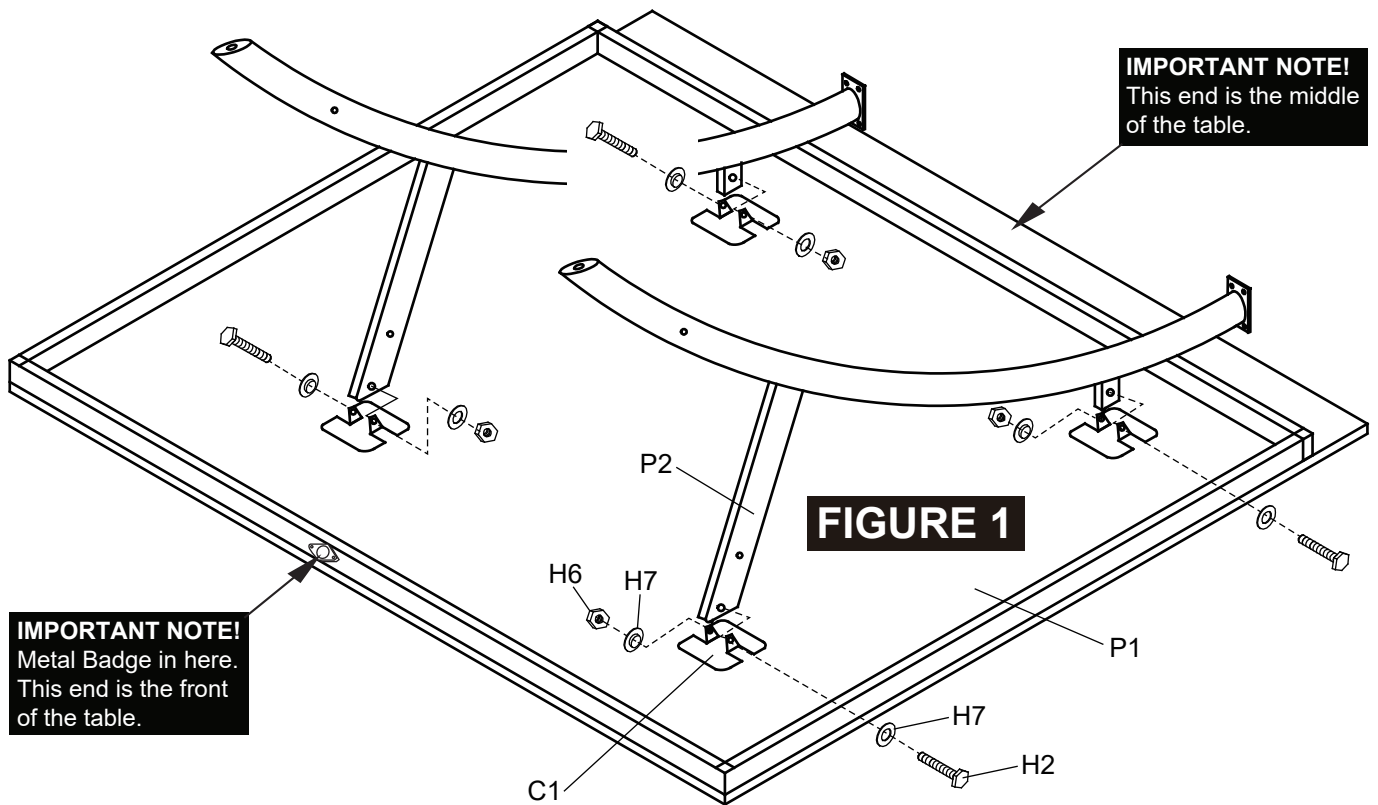
**IMPORTANT NOTE:** Place table half top with playing surface face down on a **CLEAN** flat surface for ease of correct assembly and to prevent any scratches or blemishes to the playing surface.

**PARTS REQUIRED**

- 1 pc - **P1** Table Tennis Table Top and Frame Assembly
- 2 pcs - **P2** Leg
- 4 pcs - **H2** 8x40mm Hex Head Bolt
- 4 pcs - **H6** 8mm Nylon Lock Nut
- 8 pcs - **H7** Plastic Step Washer

**STEP 1:**

Lay one piece **P1** Table Tennis Table Top and Frame Assembly flat with playing surface facing down as shown in **FIGURE 1**. Install **P2** Legs using **H2** Bolts with **H7** Step Washers and **H6** Nuts as shown in **FIGURE 1**. Tighten, but do not overtighten on this step.



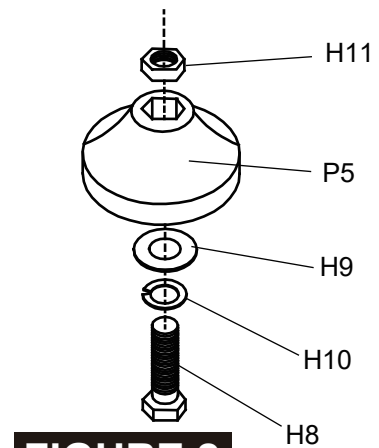
**PARTS REQUIRED**

- 4 pcs - **P5** Leg Leveler
- 4 pcs - **H8** 12x50mm Hex Head Bolt
- 4 pcs - **H9** 12mm Flat Washer
- 4 pcs - **H10** M12 Lock Washer
- 4 pcs - **H11** 12mm Nut

**STEP 2:**

Install **H8** Bolt with **H10** Lock Washer, **H9** Washer and **H11** Nut onto **P5** Leg Leveler as shown in **FIGURE 2**. Tighten, but do not overtighten.

Repeat procedure for the other three **P5** Leg Levelers.



### PARTS REQUIRED

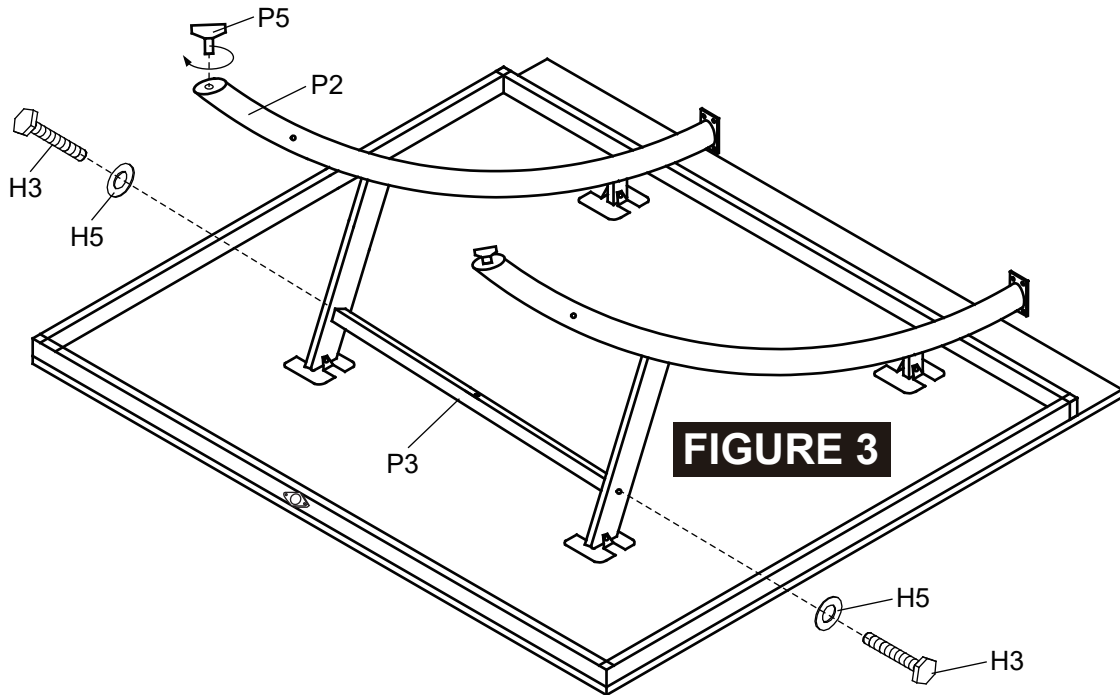
1 pc - P3 Leg Support Tube

2 pcs - H3 8x45mm Hex Head Bolt

2 pcs - H5 Flat Washer

### STEP 3:

Install P3 Tube using H3 Bolts with H5 Flat Washers as shown in FIGURE 3. Tighten, but do not overtighten on this step. Thread P5 Leg Levelers assembly from STEP 2 onto the P2 Legs as shown in FIGURE 3.



### PARTS REQUIRED

1 pc - P4 Leg Support Brace

1 pc - H3 8x45mm Hex Head Bolt  
2 pcs - H4 8x70mm Hex Head Bolt

6 pcs - H5 Flat Washer  
3 pcs - H6 Lock Nut

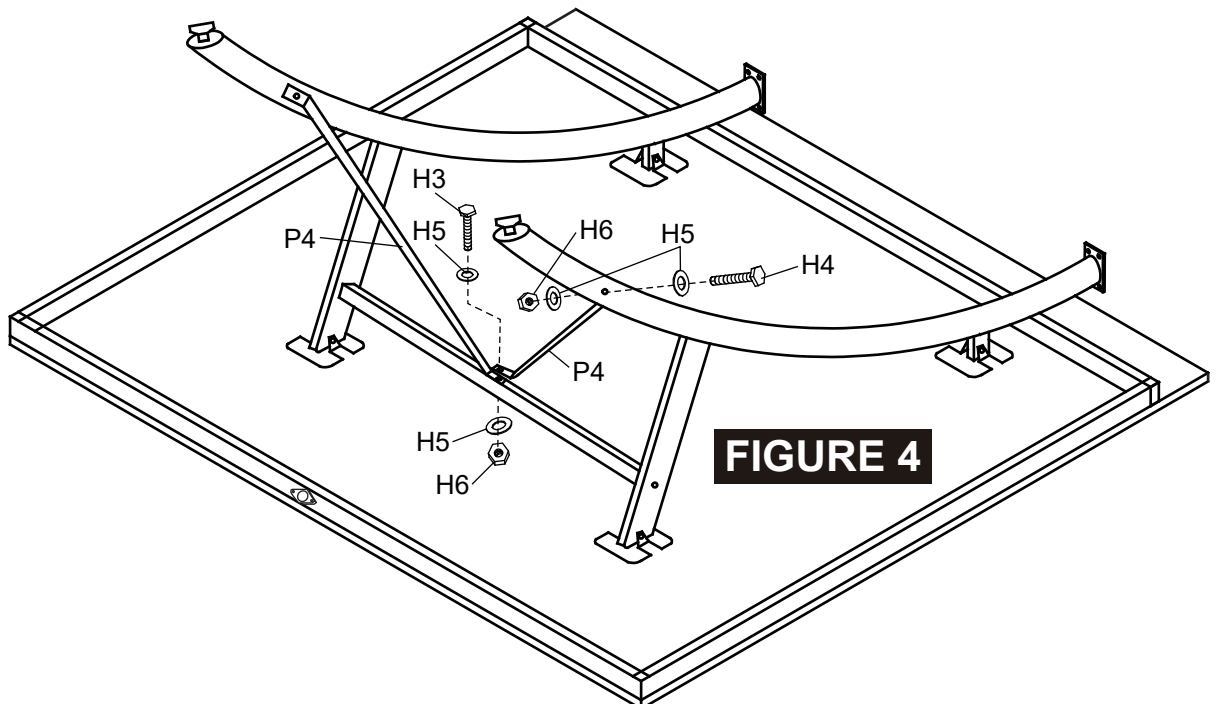
### STEP 4:

Install P4 Leg Support Brace using H4 Bolts with H5 Flat Washers and H6 Lock Nuts as shown in FIGURE 4.

Install P4 Leg Support Brace using H3 Bolt with H5 Flat Washers and H6 Lock Nut as shown in FIGURE 4.

Tighten, but do not overtighten on this step.

REPEAT PROCEDURE FROM STEP 1 TO STEP 4 FOR OTHER HALF TABLE TOP.



**PARTS REQUIRED**

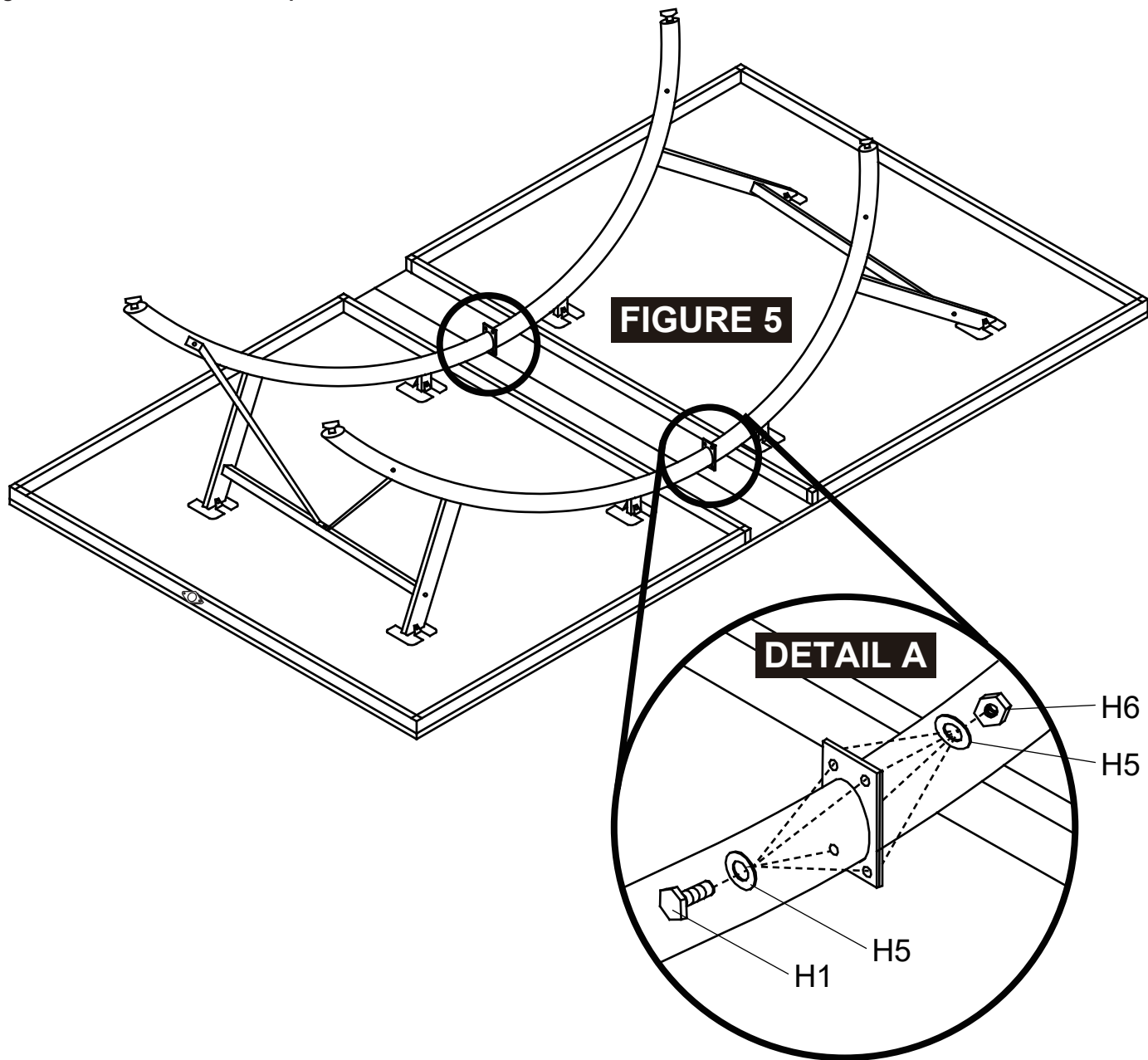
8 pcs - H1 8x20mm Hex Head Bolt

16 pcs - H5 Flat Washer

8 pcs - H6 Lock Nut

**STEP 5:**

Connect two Half Table Top using H1 Bolts with H5 Flat Washers and H6 Lock Nuts as shown in FIGURE 5 and DETAIL A. Tighten All Hardware on this step.



**⚠ WARNING:**  
THIS STEP REQUIRES FOUR OR MORE ADULTS.  
VERY CAREFULLY TURN THE TABLE OVER AND SET IT ON  
ITS LEGS. BE CAREFUL, THE TABLE IS VERY HEAVY.

**⚠ CAUTION:** DO NOT CLIMB, STAND OR JUMP ON TABLE!  
SERIOUS OR FATAL INJURY MAY RESULT! THIS IS NOT A TOY!

# T8755 TABLE TENNIS TABLE SPARE PARTS

Key#	Part No.	Description	Qty
H1	T8755SY-H1	8 mm x 20 mm Hex Head Bolt	8
H2	T8755SY-H2	8 mm x 40 mm Hex Head Bolt	8
H3	T8755SY-H3	8 mm x 45 mm Hex Head Bolt	6
H4	T8755SY-H4	8 mm x 70 mm Hex Head Bolt	4
H5	T8755SY-H5	8 mm x 20 mm Flat Washer	32
H6	T8755SY-H6	8 mm Nylon Lock Nut	22
H7	T8755SY-H7	Plastic Step Washer	16
H8	T8755SY-H8	12 mm x 50 mm Hex Head Bolt	4
H9	T8755SY-H9	12 mm x 25 mm Flat Washer	4
H10	T8755SY-H10	M12 Lock Washer	4
H11	T8755SY-H11	12 mm Nut	4
P1	T8755SY-P1	Table Tennis Table Top Frame Assembly	2
P2	T8755SY-P2	Leg	4
P3	T8755SY-P3	Leg Support Tube	2
P4	T8755SY-P4	Leg Support Brace	4
P5	T8755SY-P5	Leg Leveler	4
P6	T8755SY-P6	Net Post	2
P7	T8755SY-P7	Net	1
C1	T8755SY-C1	Steel Bracket (Pre-installed)	8
M1	T8755SY-M1	Owner's Manual	1
K1	T8755SY-K1	Hardware Kit	1

# 3 YEARS LIMITED WARRANTY

This consumer warranty extends to the original consumer purchase of any ESCALADE® SPORTS Product (hereinafter referred as the "Product").

**WARRANTY DURATION:** This Product is warranted to the original consumer purchase of a period of three (3) years from the original purchase.

**WARRANTY COVERAGE:** ESCALADE® SPORTS warrants to the original Consumer Purchaser that any Product of its manufacture is free from defects in material and workmanship when used for the intended purpose under normal use and conditions. THIS WARRANTY IS VOID IF THE PRODUCT HAS BEEN DAMAGED BY ACCIDENT, UNREASONABLE USE, NEGLIGENCE, IMPROPER SERVICE, FAILURE TO FOLLOW INSTRUCTIONS PROVIDED WITH THE PRODUCT OR OTHER CAUSES NOT ARISING OUT OF DEFECTS IN MATERIAL AND WORKMANSHIP.

**WARRANTY PERFORMANCE:** During the above three (3) years warranty period, ESCALADE® SPORTS shall repair or replace with a comparable model, and Product, or component thereof, which may prove defective under normal use and proper care, and which our examination shall disclose to our satisfaction to be thus defective, please contact our Warranty Dept.

1-866-873-3528 / Warranty Dept.

Or Write us at:

Escalade® Sports, Inc. - P.O. Box 889, Evansville, IN 47706 - Attn: Warranty Dept.

Or E-mail us at:

[customerservice@escaladesports.com](mailto:customerservice@escaladesports.com)

Other than shipping requirements no charge will be made for such repair or replacement of in-warranty Products. ESCALADE® SPORTS strongly recommends that the Product is insured for value prior to mailing.

**WARRANTY DISCLAIMERS:** ANY IMPLIED WARRANTIES ARISING OUT OF THIS SALE, INCLUDING BUT NOT LIMITED TO THE IMPLIED WARRANTIES OF MERCHANTABILITY AND FITNESS FOR A PARTICULAR PURPOSE, ARE LIMITED IN DURATION TO THE ABOVE THREE (3) YEARS WARRANTY PERIOD. ESCALADE® SPORTS SHALL NOT BE LIABLE FOR LOSS OF USE OF THE PRODUCT OR OTHER CONSEQUENTIAL OR INCIDENTAL COSTS, EXPENSES OR DAMAGES INCURRED BY THE CONSUMER OF ANY OTHER USE.

Some states do not allow the exclusion or limitation of implied warranties or consequential or incidental damages, so the above limitations or exclusions may not apply to you.

**LEGAL REMEDIES:** This warranty give you specific legal rights and you may also have other rights which may vary from state to state.