

Rim Wall Mirror 40x68, 35x110 & Rim Pinboard 75x75, 60x145

Assembly guide



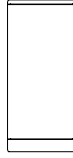
Rim Wall Mirror 40x68



Rim Wall Mirror 35x110



Rim Pinboard 75x75



Rim Pinboard 60x145

Components

This guide covers the steps of assembling Rim Wall Mirror and Rim Pinboard in all sizes (40x68, 35x110 & 75x75, 60x145). The quantity and length of components may therefore vary from those shown in the diagrams throughout this guide. However, the assembly steps remain the same. For example, components A, B, E and F are only required for the Rim Wall Mirror 40x68 and the Rim Pinboard 75x75 with a small shelf.

A



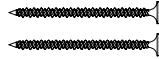
B



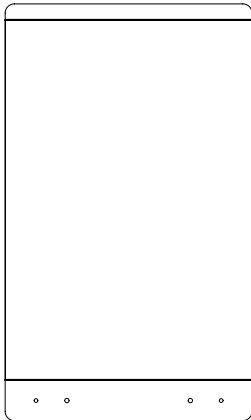
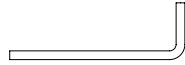
C



D



E



F

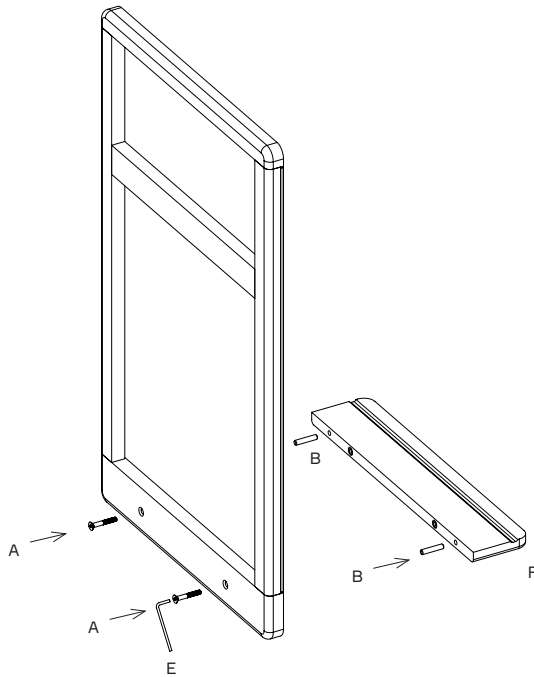


G



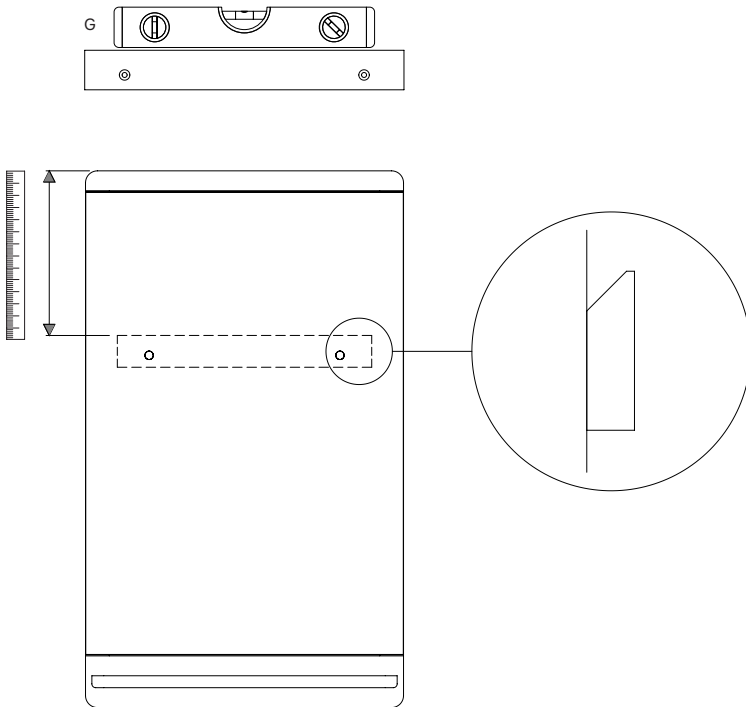
Step 1

This step is only for the products Rim Wall Mirror 40x68 and Rim Pinboard 75x75 with a shelf.
Put the dowels into the shelf. Fix the shelf to the rest of the product with screws from the back.



Step 2

Find the desired position for the product on the wall. Measure the distance down to the mounting board. Make sure the mounting board is horizontally levelled.



Step 3

Mount the board (G) to the wall. Place the Rim product on the mounting board.

