

HEIGHT 10. 10-INCH FLOATING MULTIMEDIA DISPLAY



Stinger

**TAKE YOUR IN-VEHICLE
INFOTAINMENT TO NEW HEIGHTS**

Provides total control of your music, navigation and other media, easily and safely while on the move



Stinger

HEIGHT10[®]

Maximize your multimedia

Take your multimedia experience to new heights with an elegant 10-inch capacitive touchscreen with 16.7 million colours for a full visual experience, HEIGHT10[®] is designed to enhance screen size and infotainment features for drivers of any vehicle.

Feature packed with Android Auto[®] and Apple CarPlay[®] and DAB+[®]. Engineered with maximum installation flexibility and is compatible with a range of custom-made installation kits.



androidauto

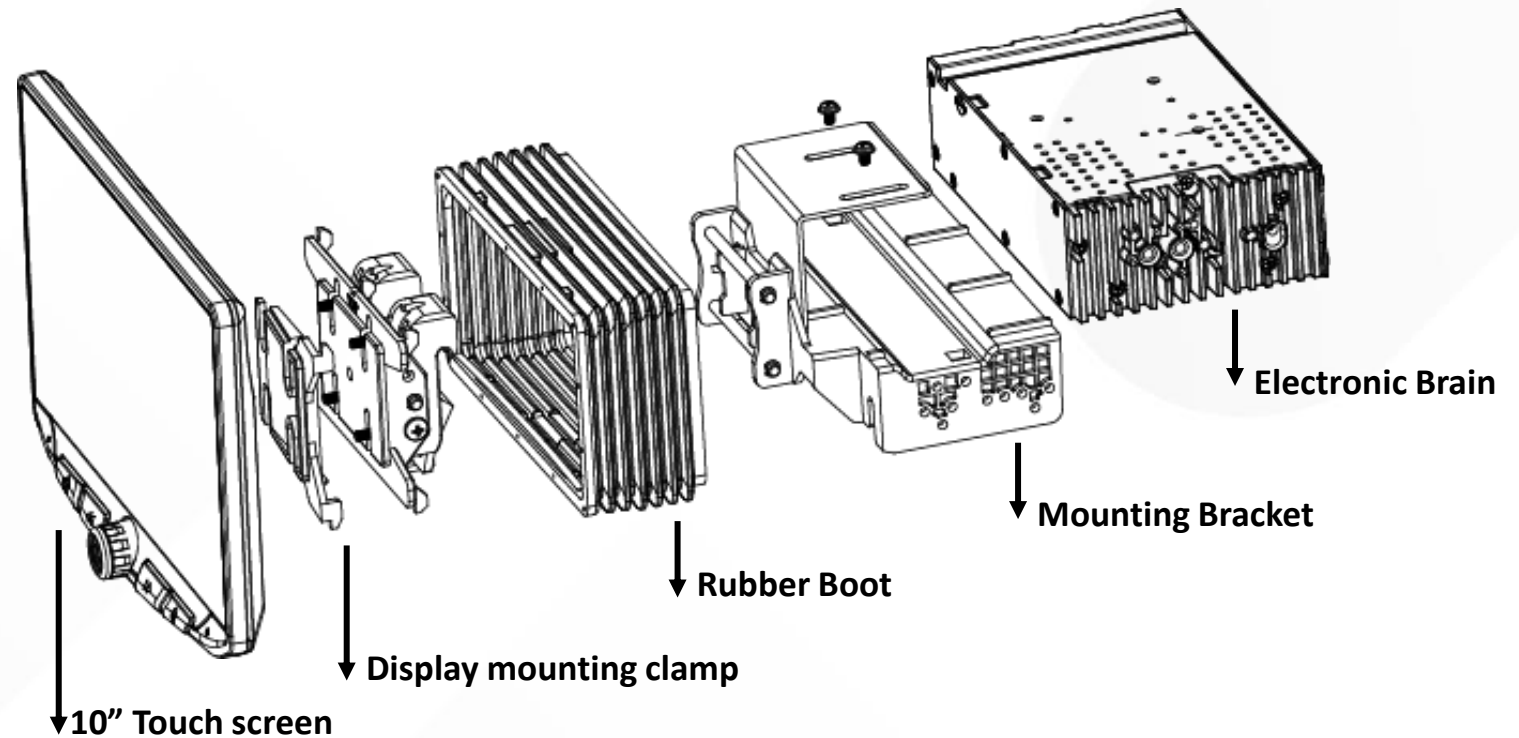


HDMI[®]
HIGH DEFINITION MULTIMEDIA INTERFACE

Bluetooth[®]

Universal Fitment

Stinger's radio platform is designed for modular installation, meaning the display and receiver are two separate pieces. This makes it universal for any vehicle, even where space is limited or nonexistent behind the OEM radio being replaced. You can mount the display and receiver in two different locations, giving you the flexibility to install HEIGH10 in any vehicle



Stinger

HEIGH10

Your Media, Your Way

Gain total access to your smartphone's music and navigation capabilities.

- Apple CarPlay®
- Google Android Auto™
- DAB+ Digital Radio Tuner
- AM/FM radio with PTY
- 2 USB rear inputs, 1.5-Amp output
- Hands-free Bluetooth® 4.2
- A2DP with aptX™ (for hands-free calling and music streaming)
- 4 camera video inputs with wired triggers
- Hardwired remote control ready (steering wheel controls)

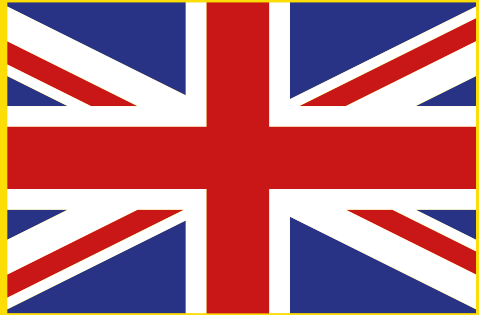


Audiophile Approved Sound

HEIGH10's sonic capabilities allow for a versatile and more detailed sound experience.

- Built-in amplifier (16W RMS x 4)
- 4V, 6ch RCA audio outputs with subwoofer control
- Toslink (optical) audio output
- 15-band adjustable graphic EQ with 6 user pre-sets
- Adjustable Hi-Pass Front/Rear and Lo-Pass subwoofer crossover with 6 user pre-sets
- Time alignment with 6 user pre-sets

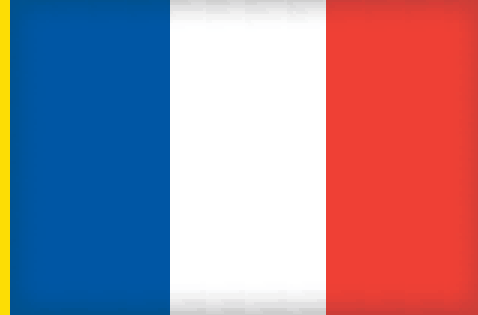
Supports 10 Languages



English



German



French



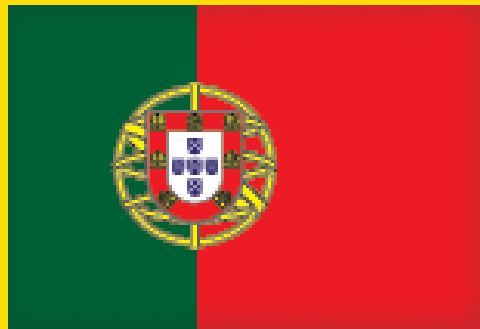
Spanish



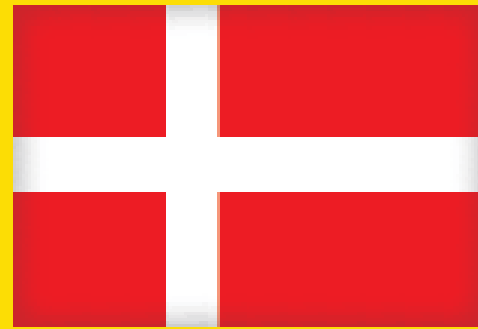
Dutch



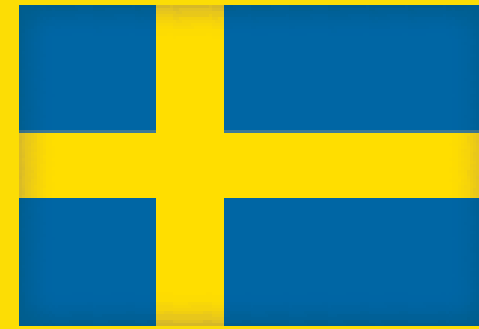
Italian



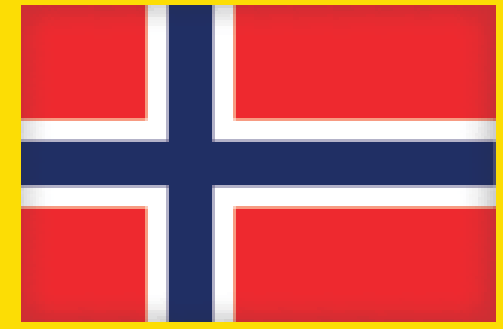
Portuguese



Danish



Swedish



Norwegian

CarPlay / Android Auto

Stinger

HEIGHT 10.



DAB+ Digital Radio

Stinger

HEIGHT 10.



HEIGH10 Features

Stinger

HEIGH10



Apple CarPlay



Android Auto



DAB+ Digital Radio



4 Camera Inputs
with Wired Triggers



Handsfree Bluetooth
with A2DP Music
Streaming



AM/FM Radio



2 x USB Inputs



15 Band Adjustable EQ
with 6 User Presets



Advanced Audio
Settings



1 x HDMI Input

Heigh10 Integration



FLUSH-MOUNT WITH INTEGRATED VEHICLE DATA & SETTINGS

TAKE YOUR OEM EXPERIENCE TO THE NEXT LEVEL: HEIGH10 vehicle-specific integrated kits deliver an enhanced experience for drivers. Gain extra features like CarPlay and Android Auto, optimize your experience with a bigger screen, improved user experience, and a crystal-clear picture, but these integrated kits take it a step further. A plug-and-play solution, it includes everything you need to install your new head unit and adds OEM vehicle features and settings integrated into your media unit's design.



FLUSH-MOUNT KITS

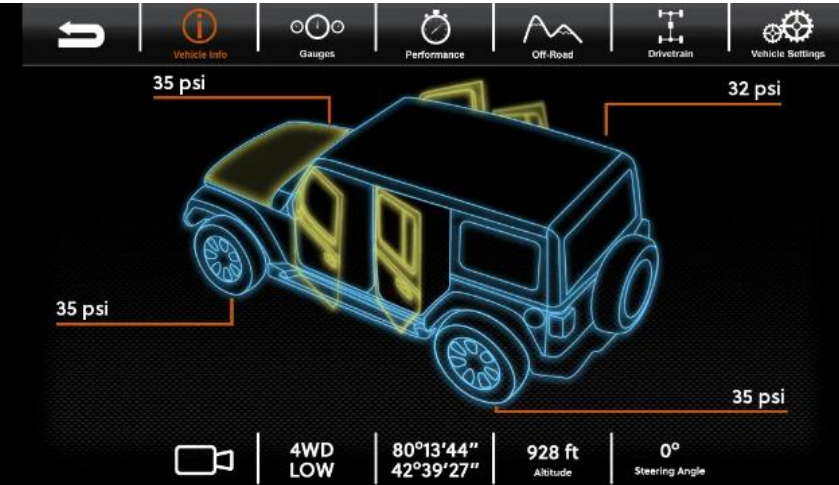
GO FLUSH: When your vehicle doesn't rely on the radio for things like HVAC controls, or vehicle settings, but you prefer a flushed installation, that seamlessly integrates into your dash, our flush-mount kits designed for HEIGH10 give you a perfectly flushed installation. Making it look like the head unit was made for the dash.



UNIVERSAL, INSTALL WITH ANY STANDARD DASH KIT

TRULY UNIVERSAL: HEIGH10 is compatible with single and double DIN openings using standard radio installation kits, adding to the installation flexibility is the modular design of both head units. The display and receiver are modular, meaning they are two separate pieces, allowing you to install them in different locations. This is perfect for vehicle applications where standard double din radios can't be installed due to space restrictions..

FLUSH-MOUNT WITH INTEGRATED VEHICLE DATA & SETTINGS



KEY FEATURES

Dash kit and mounting included for beautiful factory look with the HEIGH10 Stinger display

Enables interactive on-screen climate controls, vehicle settings, & customizable vehicle performance apps

Provides more control over your Jeep radio installation with RadioPRO Advanced controlled camera triggers, steering wheel controls, and factory amplifier control

RETAINS (IF EQUIPPED)

All factory cameras in full high-definition
Dual and single zone factory climate control module

Factory amplifier

Factory USB ports

Safety group chimes, including ParkSense®

Steering wheel controls

Auxiliary switch panel

Heated seats / heated steering wheel

On-screen vehicle settings menu

USER CUSTOMIZATION SCREENS

Enhanced with Jeep off-road data including:

Transfer case

Current position (latitude/longitude)

Altitude

Steering angle

Tire pressure with custom pressure threshold

Current vehicle status – including door open/closed/removed

View and clear check engine status

And so much more!

COMPLETE INTEGRATION (SRK-JW18EH JEEP)

Stinger

HEIGHT 10.



COMPLETE CAMERA INTEGRATION

Stinger

HEIGHT 10.

SAFETY FIRST – HIGH-DEFINITION CAMERA INPUTS

- 4 (AHD) High-Definition camera inputs
- Add a rear camera, front camera and two side-view cameras to the vehicle
- Selectable via camera mode display, turn signal for blind spot viewing or simply by adding a rocker switch for trailer or tow viewing.
- Rear camera audio input enables the driver to hear sound from an optional RV camera microphone.

