

# US DOUBLE DIMMER IN GRAPHITE

tala®

SKU: ACC-DIM-DBL-GRAP-01-US  
FINISH: GRAPHITE

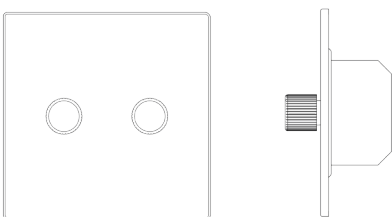
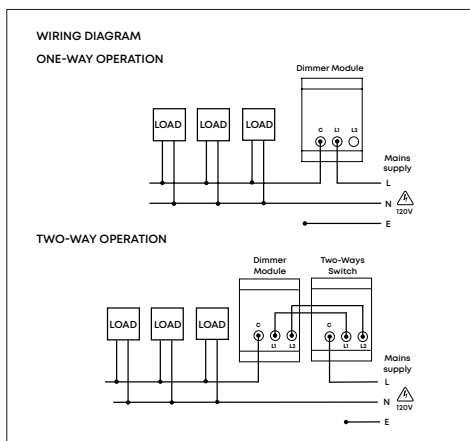


## PHYSICAL

Dimension:	2 4/8 x 4 4/8 x 4 4/8 in
Materials:	Stainless steel and Aluminum
Finish:	Graphite
Weight:	0.57 lbs
Max. working temp.:	45°C
IP rating:	IP20 - Suitable for dry locations
Recommended backbox depth:	2 in
Depth from Mounting Face:	1 3/8 in
Fixing centres:	3 2/8 in

## ELECTRICAL

Max power per gang:	
LED:	2-200W
Incandescent:	10-300W
Voltage:	110-120V
Frequency:	60Hz
Dimming Technology:	Trailing edge



## LOGISTICAL

Unit Packaging  
PC/Ctn: 1  
Gross weight: 0.53 lbs  
L 4 x W 4 x H 2 2/8in

Tala Energy Ltd. 25b Vyner Street,  
London, E2 9DG, United Kingdom

## WARRANTY

2 years

Tala North America Inc.  
C/O LH Frishkoff & Company  
546 5th Avenue, FL 9  
New York NY 10036  
United States

## EAN

5061046292342

talalighting.com | hello@tala.co.uk | +1 (240) 724-8111