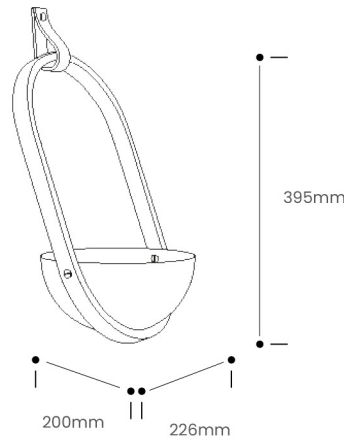


# MAYA WALL PLANTER

## Product Specification

Tom Raffield

Maya Wall Planter



Summon nature inside, transform space. The pinch of a potter's hand, the sculpting skill in a steam bender's twist. Where traditional craftsmanship and innovative design fuse, The Green Range breathes new life.

A steam bent oval hoop of sustainable ash wood is skilfully forged together with a curved scarf join to provide strength and stability whilst gently cradling a tactile, hand-glazed earthenware bowl. Thoughtfully designed to rest against your wall by a tan leather handle, the compact planter is perfect for showcasing your houseplants, herbs, or homegrown produce without taking up too much space. The Maya Wall Planter is well suited to living rooms, hallways, offices and kitchens and functions well as a standalone design or displayed in group formation.

Inspired by nature, shaped by steam, curated by you.

Product Type : Accessories	SKU	Wood types	Dimensions L x W x H (mm)		Weight (kg)	
			Unboxed	Boxed	Unboxed	Boxed
Maya Wall Planter	TR-GR-MAYA-WL-A	Ash	200 x 226 x 395	220 x 530 x 220	0.812	-
Materials	Ash	Earthenware	Leather	Other materials Brass Chicago Screws		
Finish	Finished with a blend of natural wax oils to give a protective, hardwearing and beautiful finish.					
Care information	<ul style="list-style-type: none"> <li>Finish: The blend of natural oils can take up to four weeks to harden fully. Because of this, particular care should be taken in the first few weeks after delivery before cleaning, see below.</li> <li>Care: Solid wood may expand and shrink with differences in temperature and humidity so take care not to place your furniture directly next to anywhere with excessive changes in temperature such as radiators and windows.</li> <li>Cleaning: To clean on a regular basis wipe the surface with a damp cloth before removing any moisture with a dry cloth. Wipe off anything that will stain straight away, eg red wine, balsamic vinegar, oil, tea, coffee, alcohol, etc. In the event of severe spillages and stains the surface can be lightly re-sanded and re-oiled - please talk to us or a professional furniture restorer before doing so.</li> </ul>					
Additional information	<ul style="list-style-type: none"> <li>Product care instructions included.</li> </ul>					