

Installation Guide

SYCAMORE CHANDELIER

Thoughtful lighting, responsibly designed in London.

Thank you for making the switch to Tala.
Discover the full Tala family at talalighting.com

BEFORE STARTING

We advise the fitting of our ceiling rose and pendant to be performed by a qualified electrician. Please read through these instructions before commencing work, and keep them for future reference. Please take extreme care when carrying out these instructions.

IMPORTANT

This light fitting must be connected to the supply earth. If your lighting circuit does not have an earth, ask a qualified electrician to provide an earth facility. This light fitting is suitable for indoor use only. This fitting operates on 240V mains voltage. Please visit our website to see our recommended dimmers.

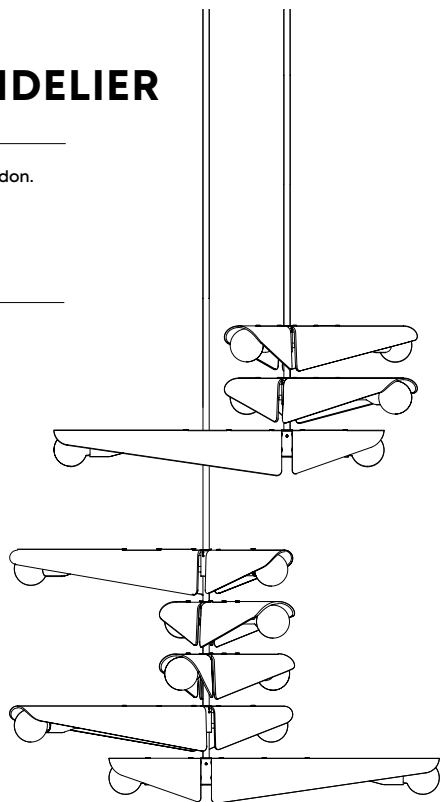
WARNING

You must switch off electricity supply at the mains during installation and maintenance. We strongly recommend that you withdraw the fuse or switch off the circuit breaker whilst work is in progress. Do not only turn off the wall switch. All fittings must be installed in accordance with current Building Regulations and IEE Wiring Regulations.

RECOMMENDED EQUIPMENT

- Phillips head screwdriver
- Wire strippers

Further equipment may be required for fixing to your ceiling



FOR INDOOR USE ONLY

SKU - SYCM-3TIER-CDL-DG-01-US

SKU - SYCM-5TIER-CDL-DG-01-US



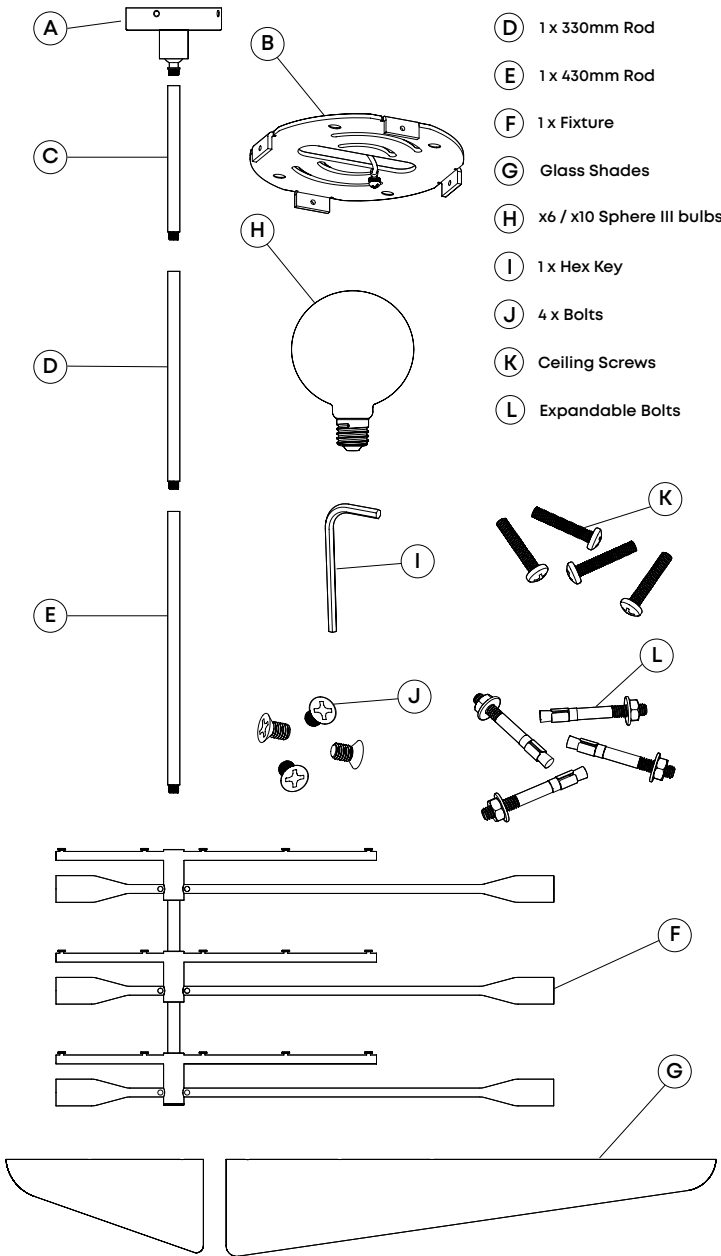
110 - 120V

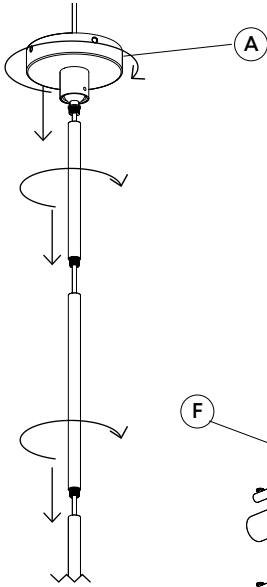


Intertek
5018709

Chandelier Components

- (A) x1 Ceiling Rose with Hang Straight
- (B) x1 Ceiling Bracket
- (C) 1 x 230mm Rod
- (D) 1 x 330mm Rod
- (E) 1 x 430mm Rod
- (F) 1 x Fixture
- (G) Glass Shades
- (H) x6 / x10 Sphere III bulbs
- (I) 1 x Hex Key
- (J) 4 x Bolts
- (K) Ceiling Screws
- (L) Expandable Bolts

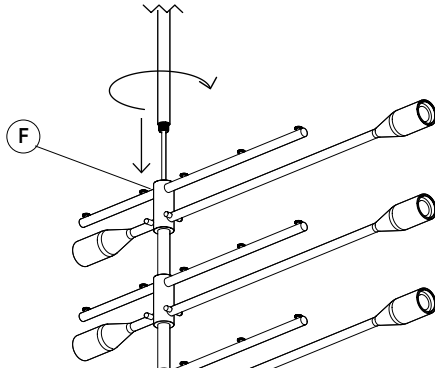




STEP 1

Remove all packaging and screw the Rods into each other to create the height required.

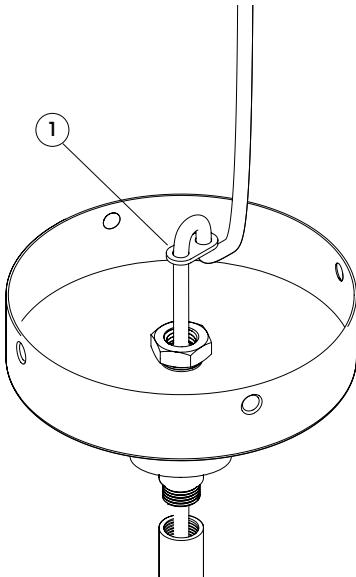
Screw the Rods into the Fixture (F) and Ceiling Rose (A).



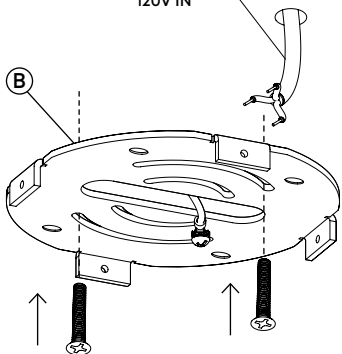
To adjust the height, remove the cable from the Ceiling rose (A).

Remove any unneeded rods and replace the Ceiling rose. Ensure the Cable Grip (1) is replaced and tightened.

Additional rods can be used to increase the height. These can be purchased from www.tala.co.uk.



Mains supply

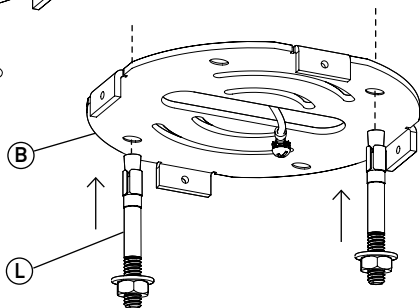


STEP 2

Attach **(B)** to the ceiling using screws and plugs.

For concrete or other masonry installation, expandable bolts **(L)** are provided.

Always choose screws and plugs that are appropriate for the ceiling.

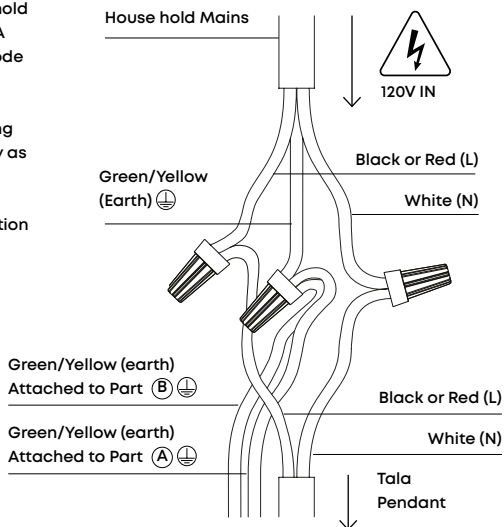


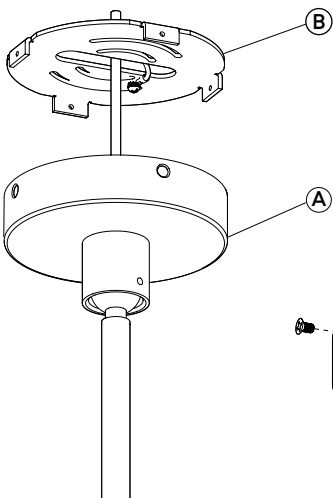
STEP 3

First identify your household wiring using current NFPA 70, National Electrical Code (NEC).

Attach the pendant wiring to your household supply as shown.

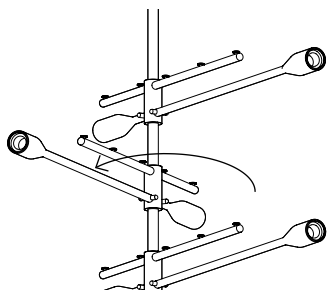
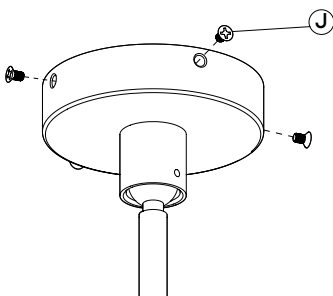
Use an appropriate junction box.





STEP 4

Fasten **(A)** onto **(B)** using the bolts provided **(J)**.



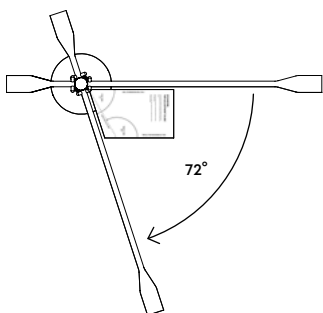
STEP 5

Rotate the tiers to their correct location using the guide at the back of this booklet.

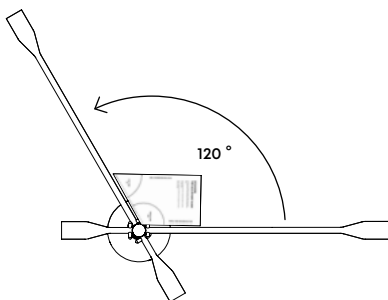
To ensure the chandelier is balanced, please ensure each tier is separated from the following tier by the angles shown dependant on chandelier size.

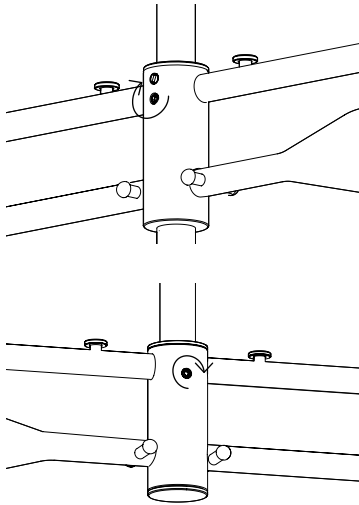
Repeat for all tiers.

FIVE TIERS



THREE TIERS





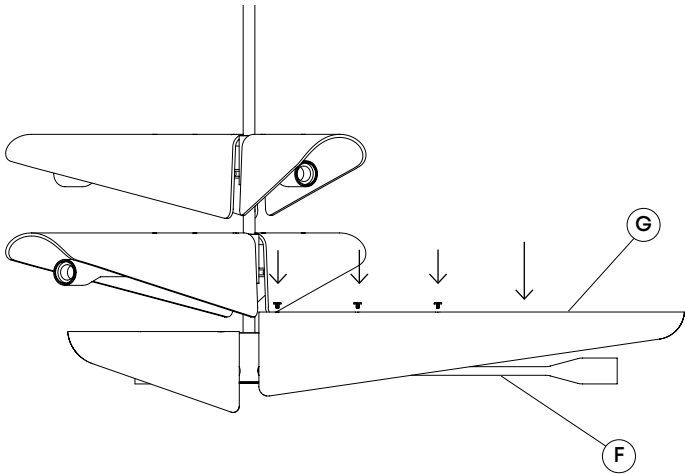
STEP 6

Lock the tiers in place by tightening the Hex screws on both sides of each tier using the allen key provided.

Do not adjust the flat head screw.

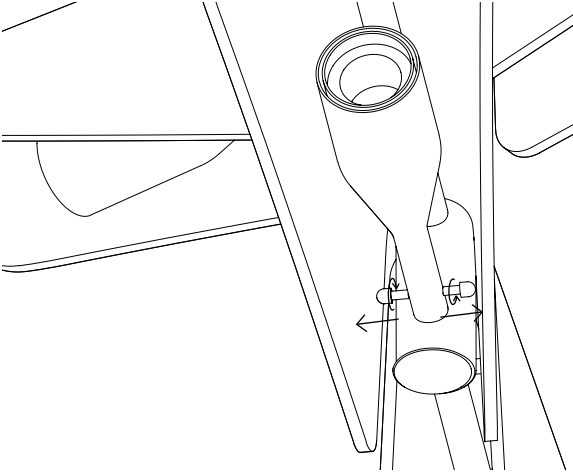
STEP 7

Carefully align the Glass Shades **G** onto the Fixture **F**.
Secure in place using the thumb screws.



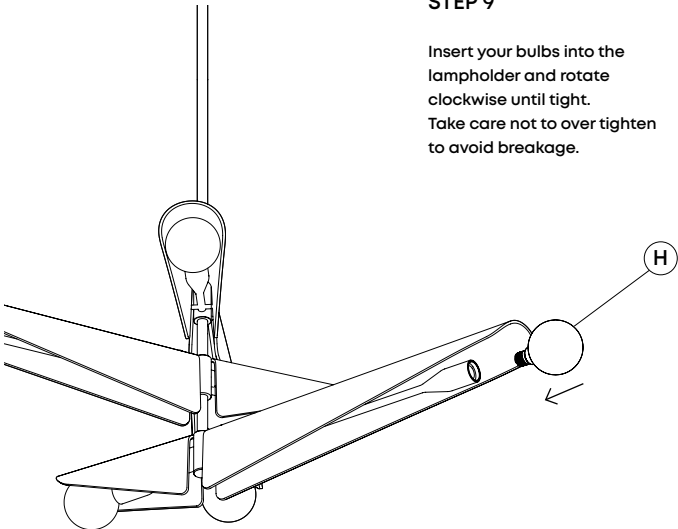
STEP 8

If the Glass Shades do not feel secure, gently unscrew the Support Rods until the glass is perfectly balanced.



STEP 9

Insert your bulbs into the lampholder and rotate clockwise until tight. Take care not to over tighten to avoid breakage.



WARRANTY AND AFTER-CARE

This product has a two-year warranty. If there appears to be a functional defect with the product during this time, please contact our team at customerservice@tala.co.uk.

Please note, if the cable attached to this fixture is damaged, it should only be replaced by qualified person.

For recovery and recycling, please take this product to a designated collection point where it will be accepted free of charge. Many retailers offer this in-store. Disposing of this product correctly will help save valuable resources and prevent any potential negative effects on human health and the environment.

Join the Community

Instagram: @tala | Facebook: talaHQ | Pinterest: TalaLED | Tag: lighttoliveby
Tala North America Inc. C/O LH Frishkoff & Company
546 5th Avenue, FL 9, New York NY 10036, United States

SYCAMORE

TIER ADJUSTMENT GUIDE

To ensure the chandelier is balanced, please ensure each tier is separated from the following tier by the angles shown below.

Fold the booklet along the corresponding dotted line creating an angled edge.

Align one edge along a reference tier and adjust the tier above to the other edge.

FIVE TIER REFERENCE TIER

TRIPLE TIER REFERENCE TIER

