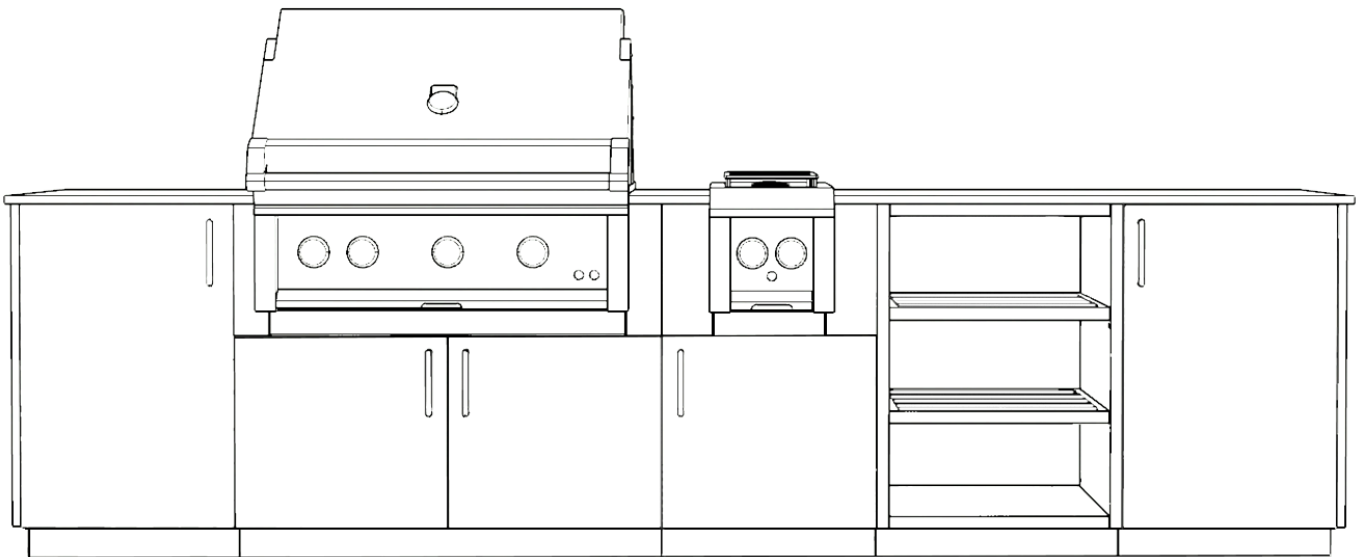
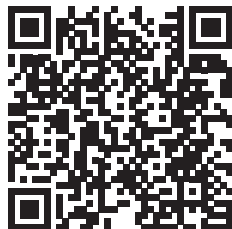




Your Kitchen Outdoors



Kitchen System
Installation Manual



Watch our Step by Step
Installation Videos

Questions?

Call Urban Bonfire for assistance: 1 (866) 898-5354



3700 Saint-Patrick W. #110
Montreal, Qc. H4E 1A2
urbanbonfire.com

Table of Contents

05	Steps for a Successful Installation
10	Tools & Items
12	Installation Protocol
22	Finished Panels
23	Universal Track System
24	Adjusting Door Hinges
25	Regular Fridge Panel Installation
28	Reinforced Fridge Panel Installation
34	Corner Cabinet Installation
37	Care & Maintenance Guide

Steps for a Successful Installation

Steps for a Successful Installation



Please read these important points as they will greatly facilitate the whole process of the Urban Bonfire kitchen installation.

1. Prepare the Site

- 1.1 Your Urban Bonfire kitchen should always be installed on a stable surface (patio/deck/balcony/roof) which should be as near to level as drainage requirements allow.
 - 1.2 All Urban Bonfire cabinets come standard with adjustable stainless steel legs. However, in instances of extreme slope, or very large kitchens, footings may be needed to compensate if it falls out of the adjustable range of the legs.
 - 1.3 Your kitchen has been designed to be freestanding and does not need to be affixed to the ground/wall. For extreme environments, such as high wind areas, we suggest that your kitchen be secured to an appropriate support structure. Please consult with your contractor/engineer for specifics.
 - 1.4 Verify with your contractor/engineer to ensure that the surface is designed to support the weight of the kitchen.
-

2. Planning for Equipment

- 2.1 Although your Urban Bonfire kitchen is made of non-combustible materials and, as such, does not require insulating jackets for the equipment, gas and live fire appliances have very specific restrictions for safe installation and use, which can vary from one jurisdiction to another. Please review the owner's manuals for all appliances before installation and ensure the work is done in accordance with local codes and by a professional.
- 2.2 Your kitchen has been designed for a specific appliance. Before ordering your equipment, please verify that it matches with the model number listed on your final kitchen design document.

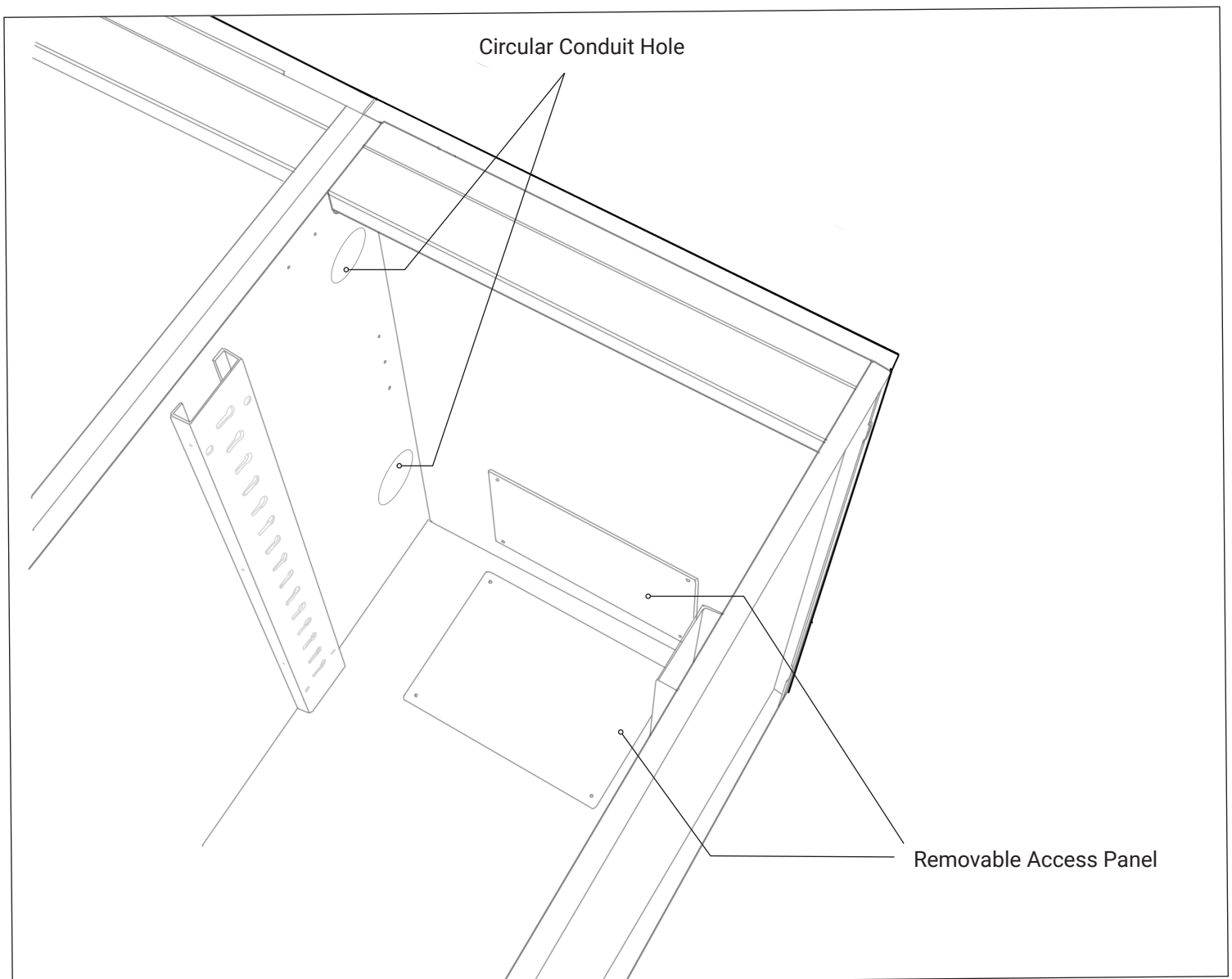
Note: Equipment is sold separately. Urban Bonfire does not provide appliances.

3. Planning for Services (Gas/Electrical/Plumbing)

Conduit holes and access panels are included in most Urban Bonfire cabinets to make service planning and implementation as easy as possible.

For specific locations of these points within the cabinets, please refer to our library of AutoCAD and SketchUp files in our Resources section at urbanbonfire.com/resources.

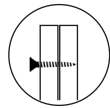
As with equipment, local codes have specific requirements and restrictions for all services. Please ensure that planning and installation is performed by a locally licensed tradesperson.



4. Planning for Countertop

Each Urban Bonfire design is finalized based on a specific countertop thickness in order to ensure all trim pieces fit perfectly around your specific brand and model of equipment. Please verify the countertop thickness listed on your design prior to finalizing any countertop purchase with your local fabricator.

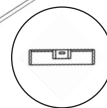
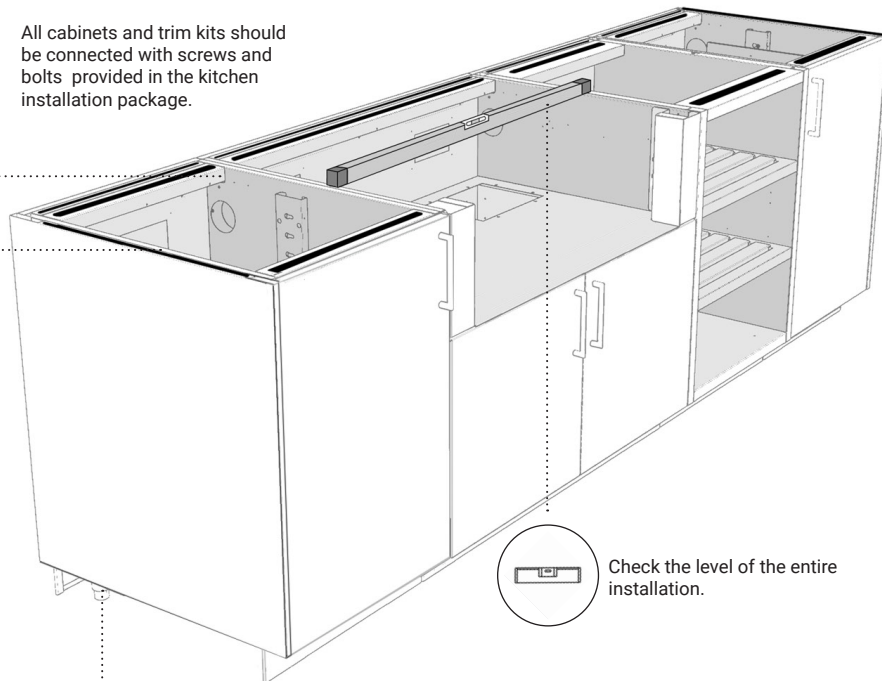
Locate your nearest certified Dekton Fabricator at urbanbonfire.com/dekton-fabricator-locator.



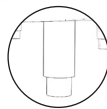
All cabinets and trim kits should be connected with screws and bolts provided in the kitchen installation package.



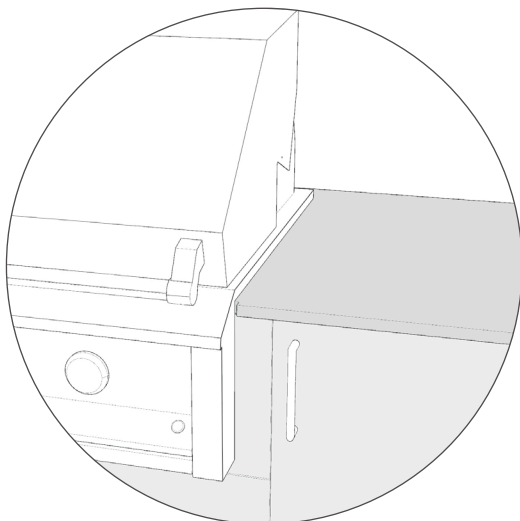
Apply clear silicone to attach the countertop.



Check the level of the entire installation.



Adjust the level using the leveling legs.



WARNING - Please take extra care when cleaning your countertop. Although solvents, such as acetone, are often recommended by counter manufacturers and fabricators, these substances **WILL DAMAGE** the powder coated finish of your Urban Bonfire cabinetry. To avoid any mishaps, we suggest using standard detergent when cleaning your countertop.

In addition to this, pay close attention to appliance manufacturer specifications during countertop measurements, as most appliances require **notches** in the countertop for best fit and finish.

For best results, be sure to provide your fabricator with all equipment cutout documentation.

5. Before Unpacking your Kitchen

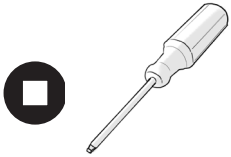
Your Urban Bonfire kitchen ships with cabinets fully assembled, making cabinet installation quick and straightforward. However, within the cabinets themselves there are accessories and smaller pieces that can easily be misplaced on a busy job site. As such, we suggest taking special care to locate these pieces during unpacking so that they can be set aside for when they are needed during the installation process.

In our experience, parts that can be lost in the shuffle include:

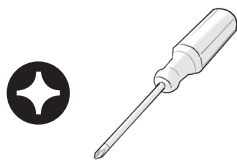
- **Standard Toe Kicks:** Each cabinet includes **one** 2-piece front toe kick, and cabinets with finished back panels will include an additional **one**, 2-piece, rear toe kick.
- **End Panel Toe Kicks:** Each 28" or 32" end panel will include **one**, 2-piece, toe kick + **two** toe kick corners.
- **Corner Cabinet Toe Kicks:** A-CRNR cabinets will come with **one** 2-piece front toe kick, and cabinets with finished back panels will include **three** additional 2-piece toe kicks - see **page 34** for specific details on this cabinet)
- **Toe Kick Clips:** These plastic clips allow the front toe kicks to be installed onto the cabinets adjustable stainless steel legs. These are packed along with the installation hardware (screws/nuts/bolts) for each kitchen.
- **Extra hardware/magnets/bumpers :** Maintenance kit.

Tools & Items

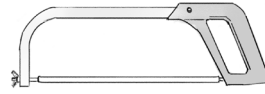
Tools Required



Robertson #2 Screwdriver
and/or drill bit



Phillips #2 Head Screwdriver
and/or drill bit



Metal Hacksaw



$\frac{3}{8}$ Wrench



Level



Right Angle Drill
(recommended)

Items Provided



#8 Screws



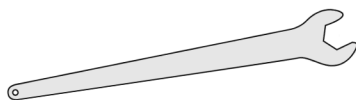
2" 8-32 Bolts



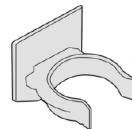
3" 8-32 Bolts (for 24" and 27" cabinets only)



Nuts



Leg Wrench



Toe Kick Clips

Installation Protocol

Installation Protocol

For safety, efficiency and best results, Urban Bonfire strongly suggests that installation be performed by 2 people. **For easy-to-follow videos of the installation protocol in this guide, please visit Urban Bonfire's YouTube channel.**

Getting Started

1. Measure out the installation area and mark the kitchen location (2D plan of your kitchen can be found in a plastic shipping envelope on the outside of the box).

2. Unpacking your kitchen:

Each cabinet comes fully assembled and is packed in its own box, which is numbered corresponding to the final design plans.

i) Unbox the cabinets while leaving the shrink wrap and protective foam corners in place.

ii) Remove the internal components and any small boxes, when applicable, through the top of the cabinet (paying special attention to small parts listed on **page 9**).

iii) Flip the cabinets upside down, resting them on the protective foam corners to avoid damage.

Leveling Legs and Toe Kicks

3. Locate the stainless steel leveling legs and toe kicks.

4. Attach legs to cabinets:

i) Turn the leg counterclockwise until the leg is as short as it can be.

ii) When the maximum is reached, stop and turn clockwise 4 times.

iii) Screw the legs onto the mounting plates on the bottom of the cabinet.

For best results, Urban Bonfire strongly suggests starting with the leveling legs as low as possible leaving the ability to raise them, to level, later in the process.

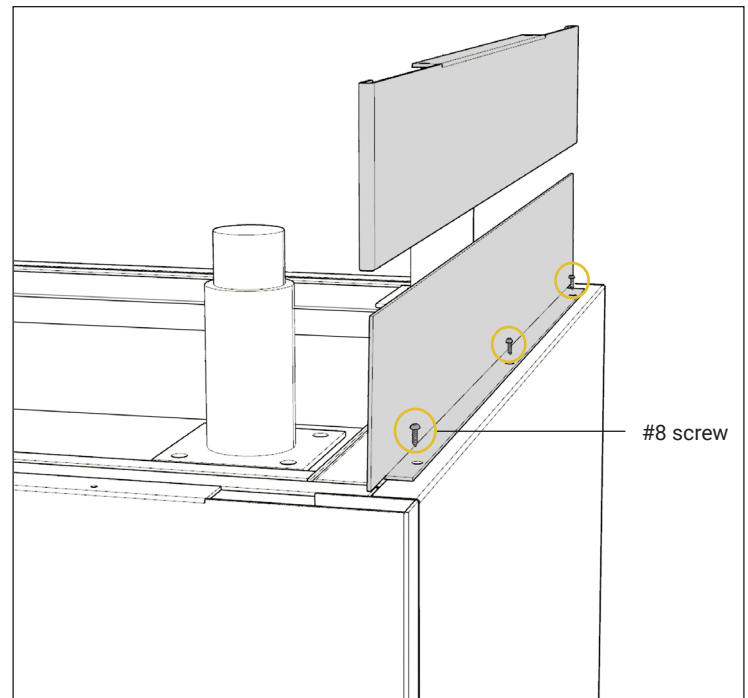
5. Attach the following toe kicks to their respective cabinets using **#8 screws** (provided) as shown on Fig. 1.

Do not overtighten and keep tape on toe kick, as this will keep the sliding portion of the toe kick in place as the cabinets are being manipulated during the install process.

Note - Toe kicks featuring the black plastic clips can be set aside at this time, as these are the front toe kicks which will be installed later in the process.

Fig. 1 - Self Leveling Toe Kick Assembly - BACK AND SIDE

Back and side toe kick assemblies are attached to finish panel with three #8 screws (supplied). First fasten the fixed portion of the assembly and then slide the self leveling portion into position. Use tape to hold the self leveling portion in place.



Toe Kicks:

- i) **End Panels (A-ENDP-XX)** - Install side toe kicks to applicable 28.75" and 32" finished end panels.
- ii) **BF4 (A-BF4-XX)** - Install front, and back (when applicable), 4" sliding toe kicks.
- iii) **Corner Cabinet (A-CRNR)** - Install front 90-degree toe kick. If finished back panels are present on this cabinet, two 30" toe kicks + a single smaller 90-degree toe kick should also be installed at this time.
- iv) **Finished Back Panels (A-BCKP-XX)** - Install back toe kicks to the finished back panel.

6. Place cabinets right side up so that they are standing on their legs.

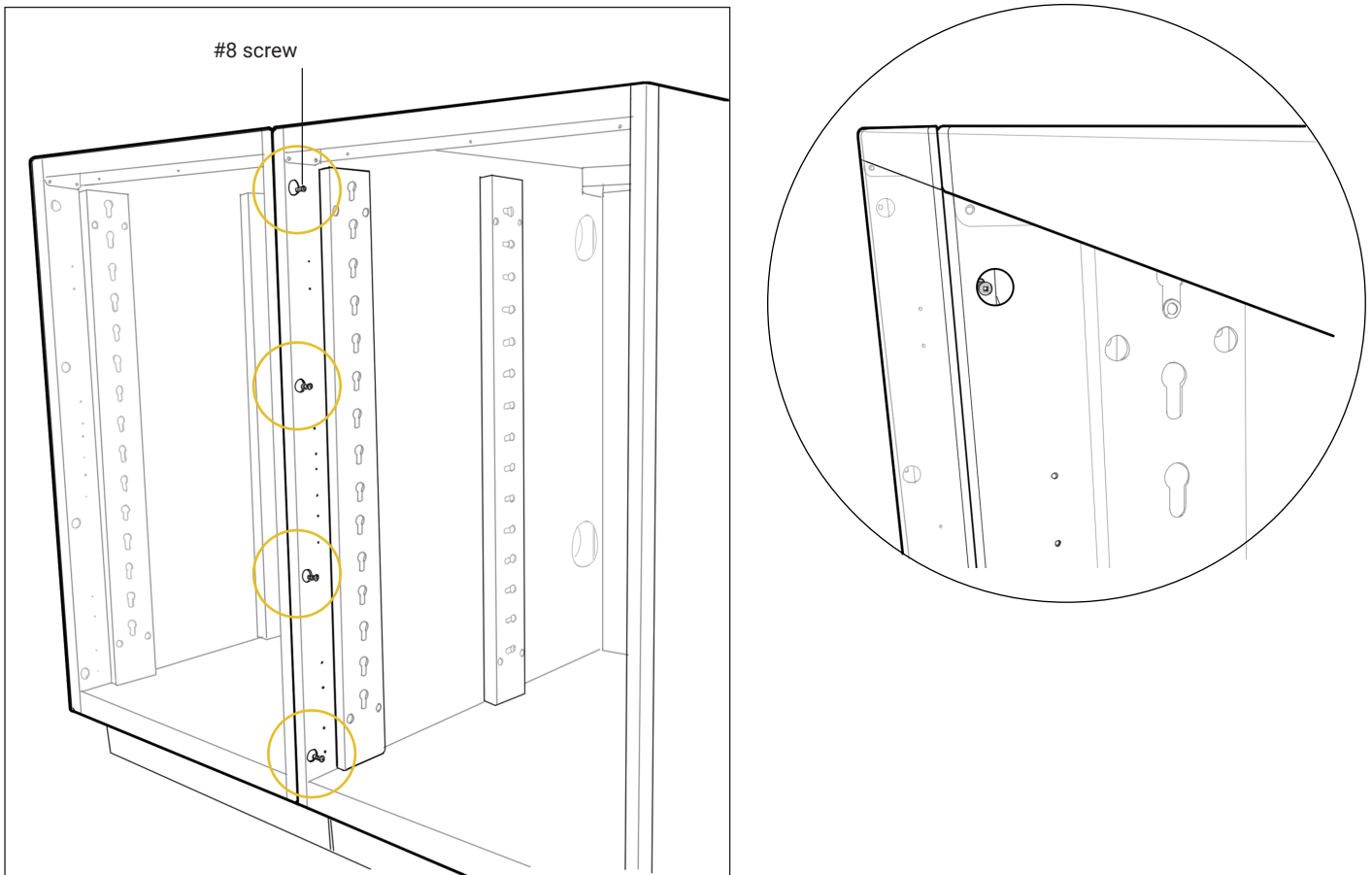
Installing and Leveling the Cabinets

7. Arrange cabinets into proper layout, referencing the 2D plan of your kitchen, by following the numbers located on each cabinet.

8. Connect cabinets to each other using **#8 screws** in the front (see Fig. 2).

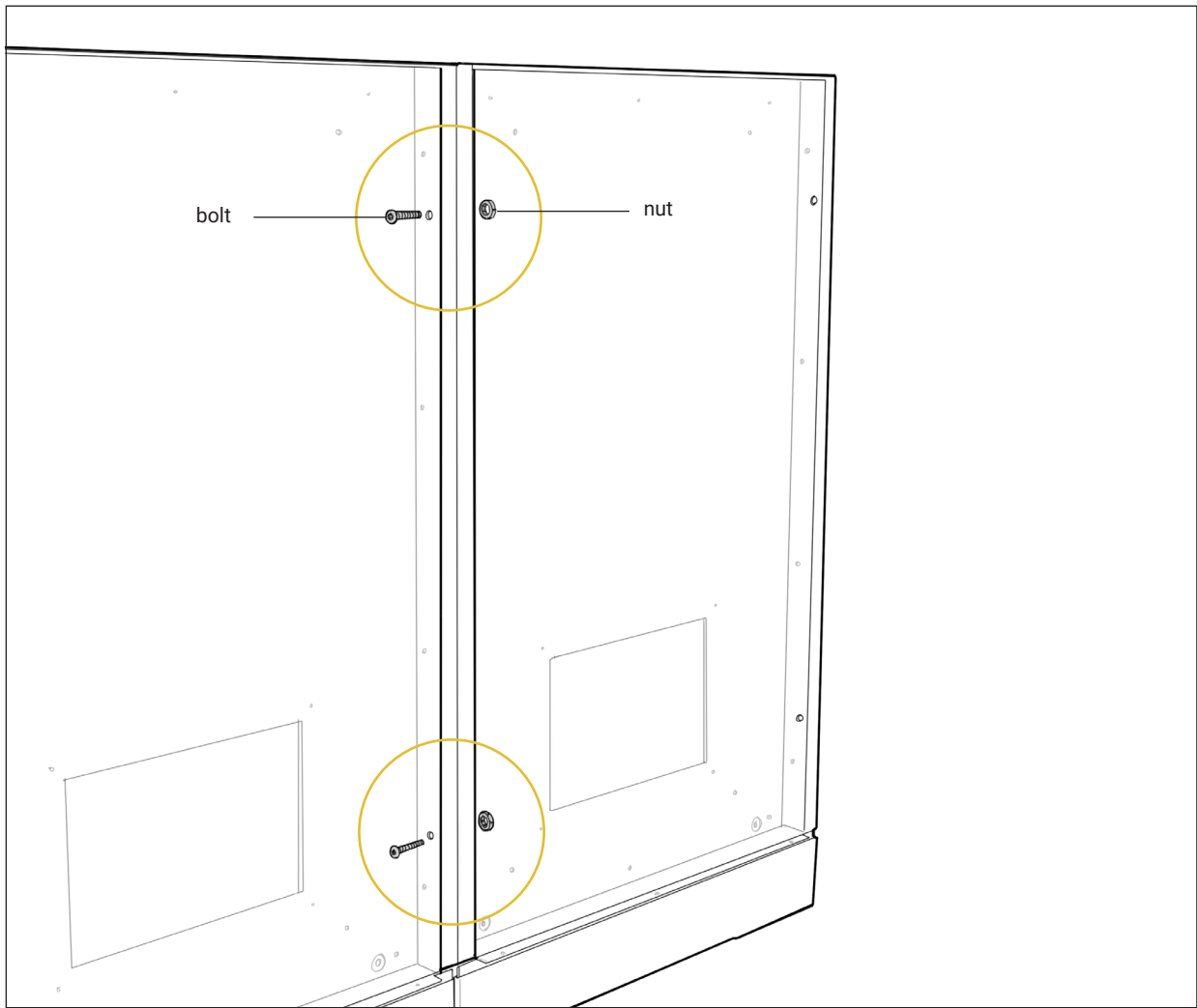
- Align and level cabinets
- Use four #8 screws (supplied) to connect the cabinet fronts. **DO NOT OVER TORQUE.**

Fig. 2 - Connecting Cabinets FRONTS



9. Connect cabinets to each other using two **2" long 8-32 bolts** in the back (see Fig. 3). For 24" and 27" cabinets, use the **3" long 8-32 bolts** provided to connect the back.

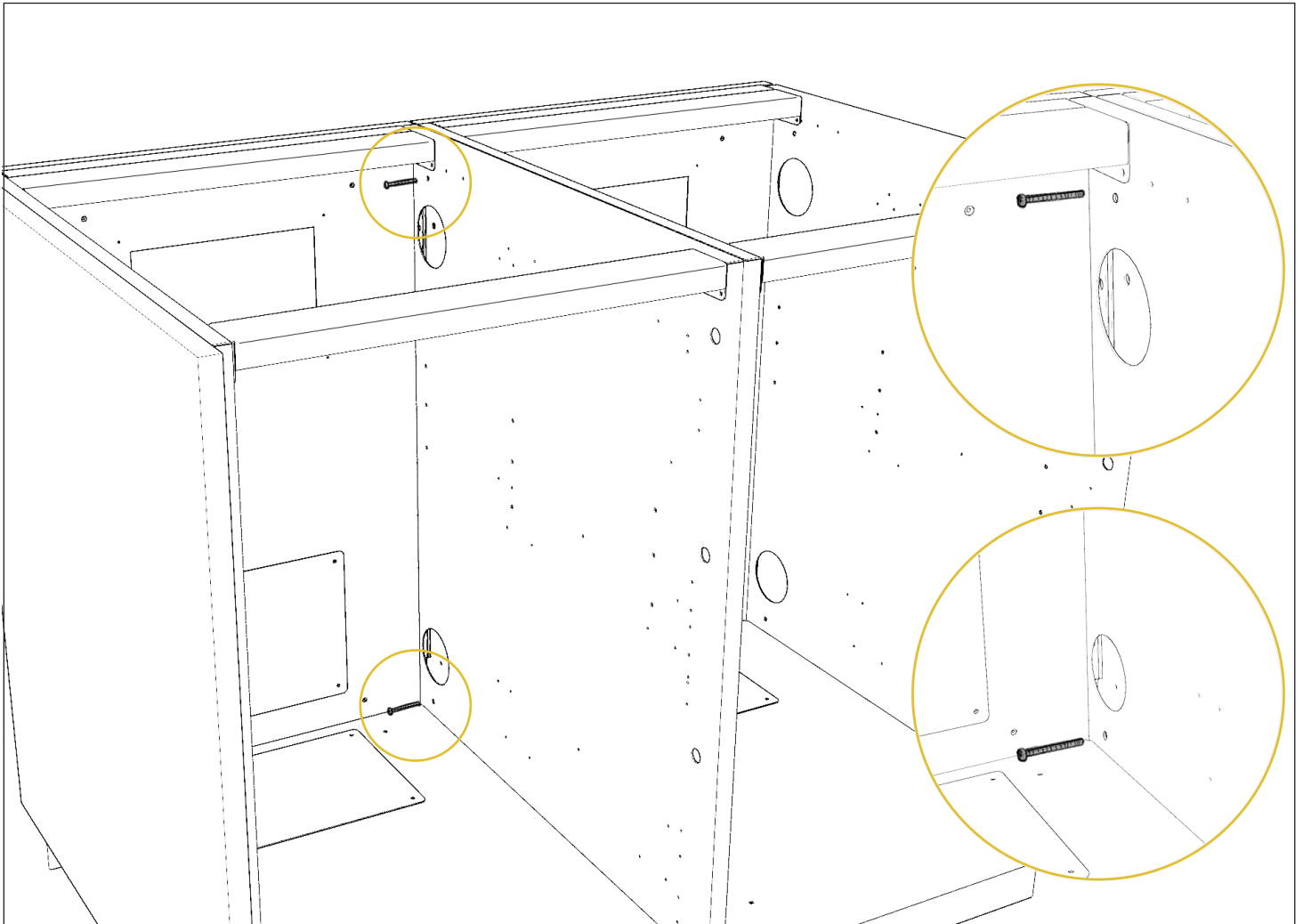
Fig. 3 - Connecting Cabinets BACKS



Note - Cabinets without finished back panels can be attached through the back section of the cabinet (shown above Fig. 3).

However, cabinets with finished back panels already installed must be attached through the holes on the inside of the cabinet (see Fig 4 on **page 17**). Do not overtighten.

Fig. 4 - Connecting Cabinets BACKS



When finished back panels are present, back of cabinets are fastened together from within the cabinet holes.

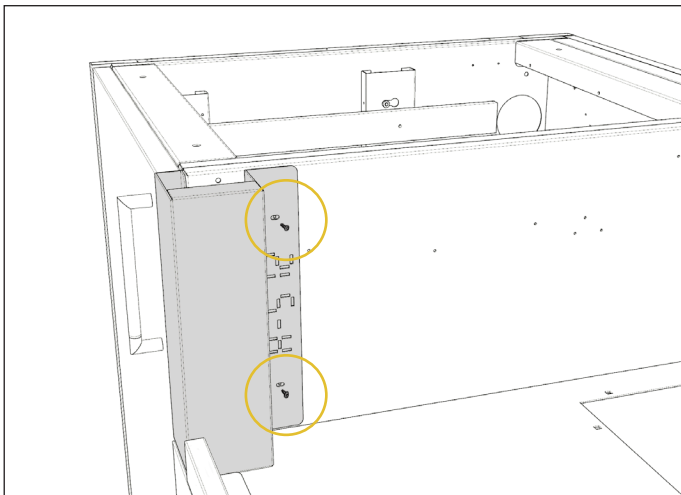
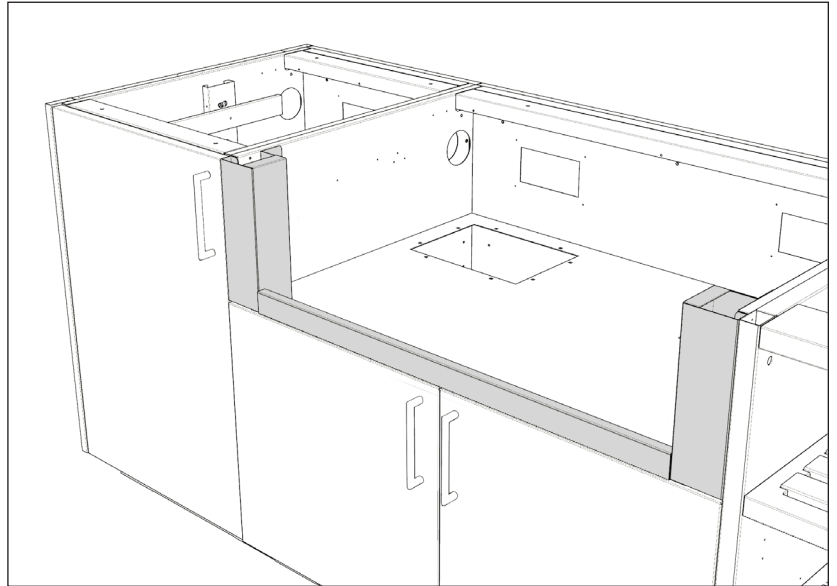
Use two **2" long 8-32 bolts and nuts** (supplied) and tighten.
For 24" and 27" cabinets, use the **3" long 8-32 bolts** provided.

10. If your kitchen features under counter refrigeration or dishwashing components, please see our specific installation guides for those products which can be found on **pages 25-33**.

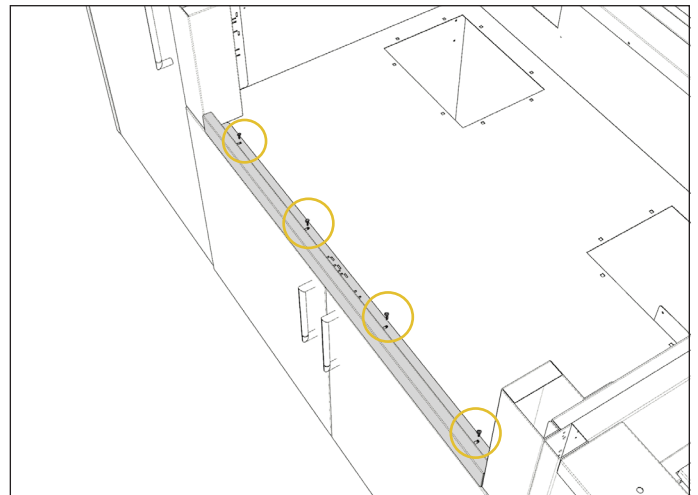
11. Install trim kits to the grill base cabinet and/or power burner cabinets using **#8 screws** (see Fig. 5).

Fig. 5- Installing the Trim Kit

The trim kit allows the cabinet to be compatible with all major grill brands and sizes.



Fasten the **side** trims, on both sides of the cabinet.



Fasten the **bottom** trim to the shelf of the cabinet.

Note - not all trim kits feature the bottom trim component, as this is dependent on the specific grill model, as well as your countertop thickness.

12. Level cabinets, using the adjustable legs, ensuring all legs are sitting solidly on the ground. Use the supplied **leg wrench**, if needed, when adjusting the back legs of the cabinets.

As stated earlier, for best results, start with the cabinets as low as possible and raise to level as needed.

Note - Allow a small and consistent slope for proper countertop drainage.

Services, Countertop and Equipment Install

13. In some instances, installation of services will be easiest prior to the countertop being installed, and in others only after equipment installation. **Please ensure all work is being performed by a certified tradesperson and verify the best way to proceed with them.**

14. Your kitchen is now ready for countertop installation. Installation must be done by your local countertop supplier, or someone qualified for the task.

15. After countertop installation, your kitchen is now ready for equipment installation. **Please ensure all work is done according to the equipment manufacturers specifications and performed by a qualified tradesperson.**

Tip - To avoid unnecessary water infiltration we suggest running a bead of clear silicon around the appliance where it meets the countertop. This has the added benefit of keeping built-in equipment solidly in place during use, and can be easily cut through using a utility knife should the need for removing the equipment (for service, moving, or replacement) ever arise.

WARNING - Please take extra care when cleaning your countertop. Although solvents, such as acetone, are often recommended by counter manufacturers and fabricators, these substances **WILL DAMAGE** the powder coated finish of your Urban Bonfire cabinetry. To avoid any mishaps, we suggest using standard detergent when cleaning your countertop.

Finishing Touches

16. Installing the front toe kicks.

- i) Install the toe kick clips to the front toe kicks (see Fig. 6)

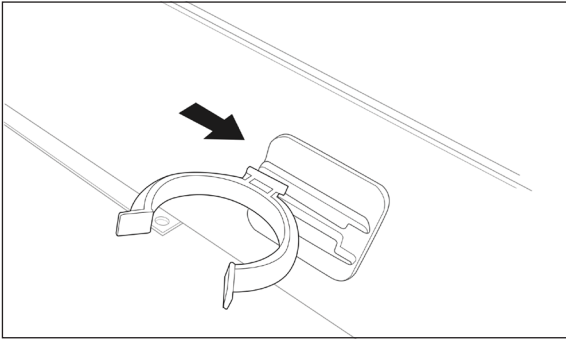


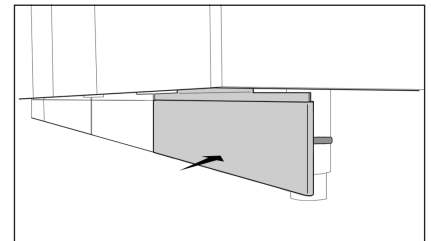
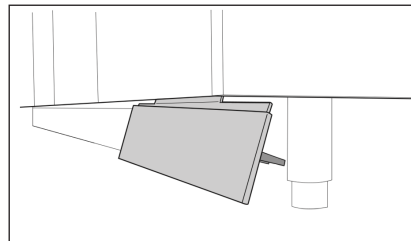
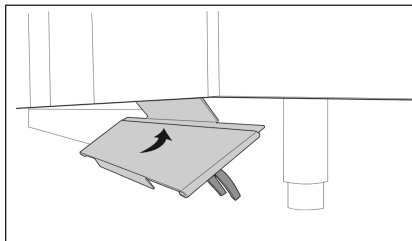
Fig. 6 - Installing the Toe Kick Clip

Install the clip by sliding it into the bracket.

- ii) Attach front toe kicks by resting the top section on the bottom lip of the cabinet and then attaching the clips to the stainless legs (see Fig. 7).

Self leveling toe kicks are fastened by hanging the top portion of the interior toe kick onto the cabinet frame and then rotating the assembly until clips attach to adjustable cabinet legs.

Fig. 7 - Self Leveling Toe Kick Assembly - FRONT



17. Remove tape from toe kicks, allowing front plates to slide down to meet the ground. Adjust the legs if necessary to allow toe kicks to meet the ground.

18. Measure corner toe kick height and cut to size with **hacksaw**. Attach to the front and side toe kicks (see Fig. 8).

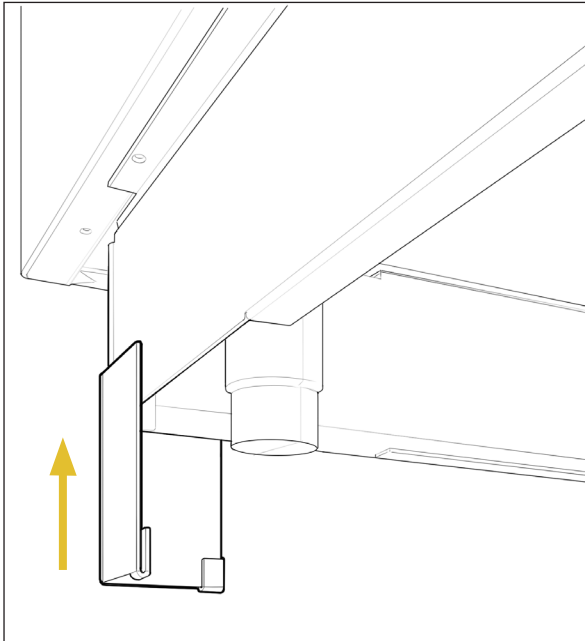


Fig. 8 - Self Leveling Toe Kick Assembly - CORNER

Slide the corner piece into the front and side self leveling toe kick portion.

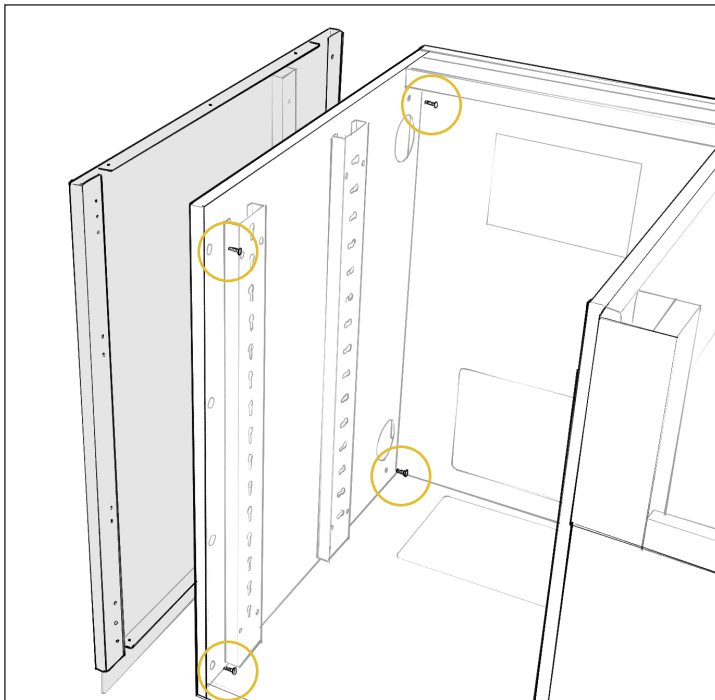
19. Complete installation and unwrapping of interior components in the cabinets (waste and recycling insert, shelves, etc...). For specific instructions on adjusting your inserts, using our universal keyhole track system, please see **page 23**.

20. Adjust the doors as necessary using hinges to maintain a consistent reveal. For specific instructions on adjusting the doors, please see **page 24**.

21. Store your maintenance kit in a safe place, in case it is needed in the coming years.

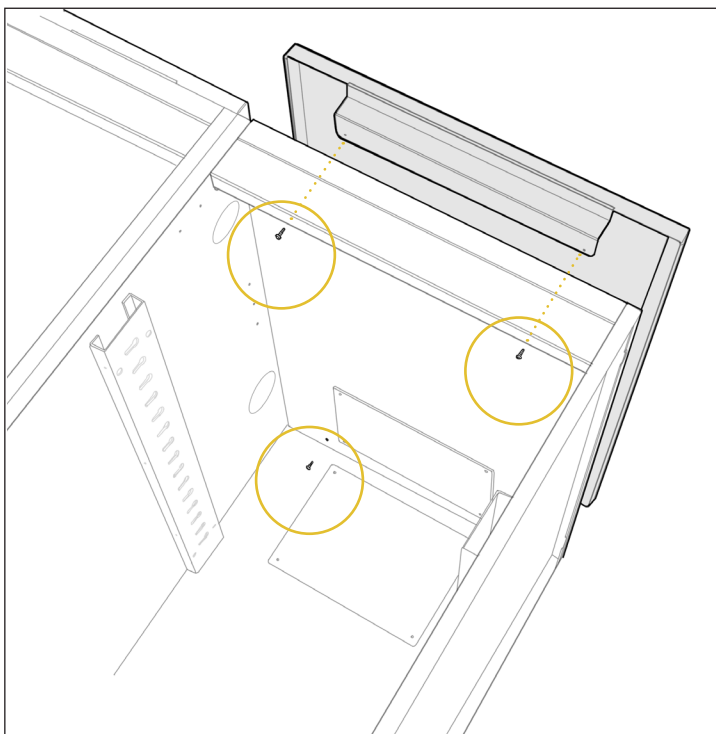
22. Fire up your grill, grab a cold beverage, invite your family and friends and enjoy **#YourKitchenOutdoors !**

Finished Panels



Finished END Panels

Finished end panels are fastened from inside the cabinet with two **#8 screws** in the back and two **#8 screws** in the front (supplied). Ensure self leveling toe kick assembly is attached prior to installation.



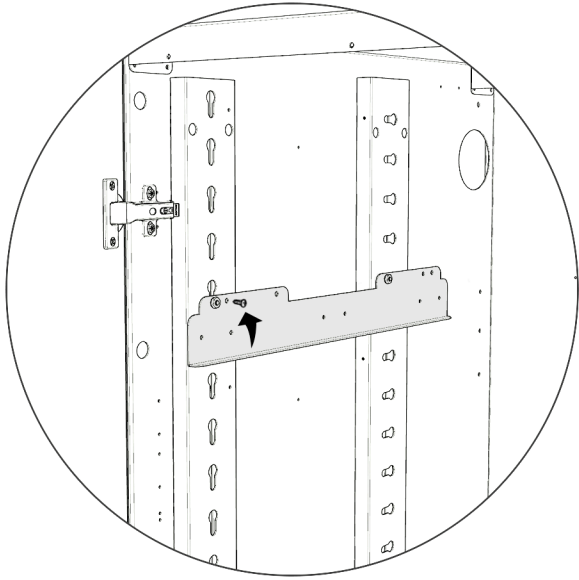
Finished BACK Panels

Finished back panels are fastened from inside the cabinet with four **#8 screws** (supplied, two on the top and two on the bottom). Ensure self leveling toe kick assembly is attached prior to installation.

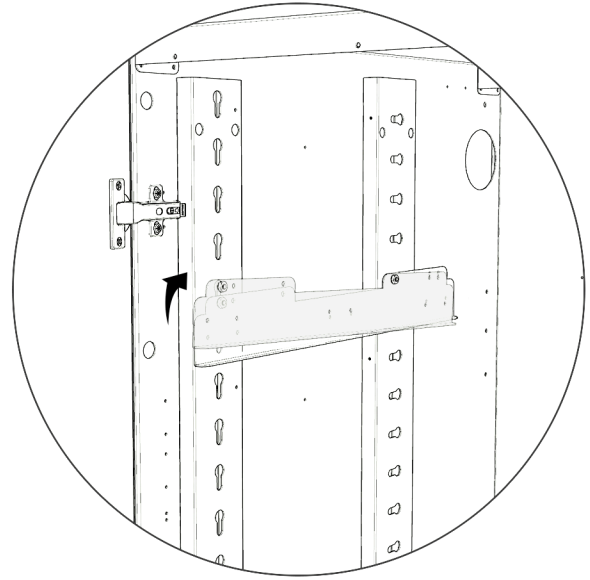
Universal Track System

Moving the Bracket Along the Universal Track System

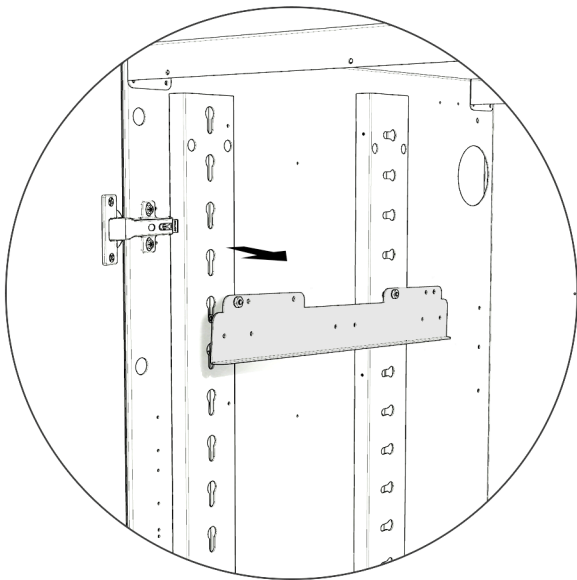
Every Urban Bonfire utility cabinet is equipped with our universal track system.



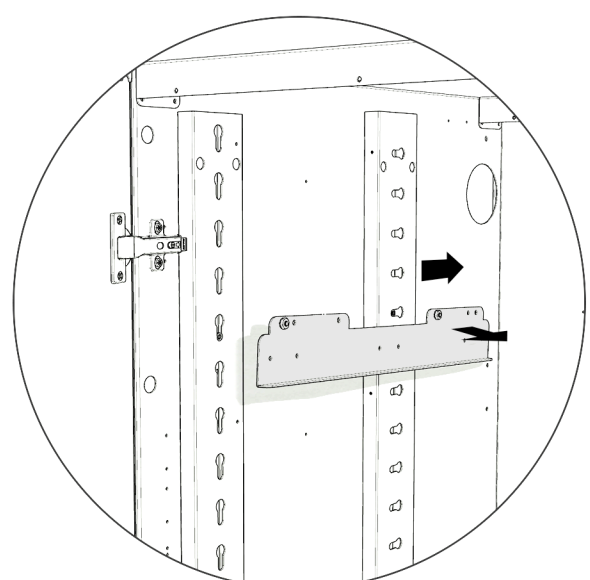
1. In certain cases, the cabinet will ship with an additional screw at the front of the bracket, holding it in place during transport. Remove the screw to move the bracket along the track system.



2. Push upwards on the front of the bracket until the mounting screw lines up with the wide portion of the keyhole.



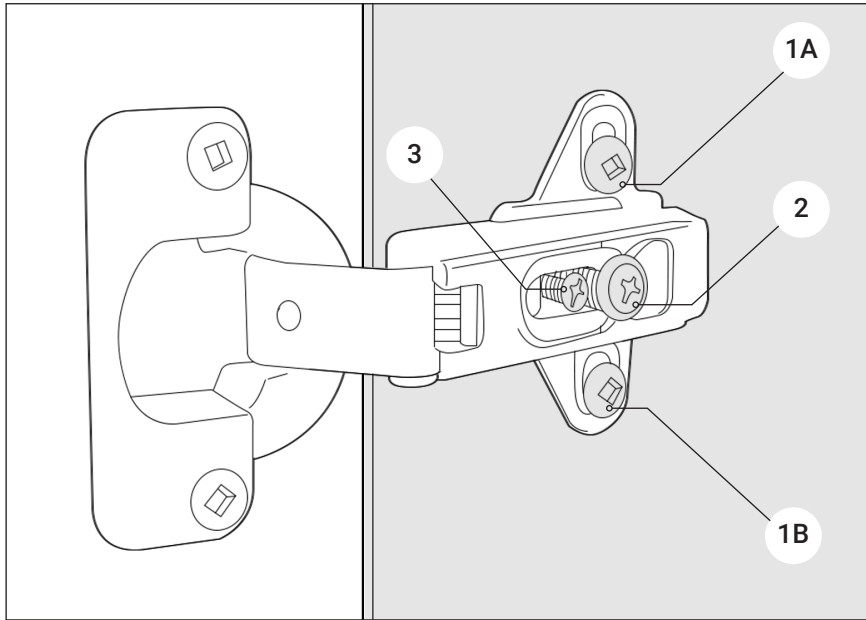
3. Pull the front of the bracket inwards to free the mounting screw from the vertical keyhole.



4. Slide the bracket towards the back of the cabinet and pull it out of the horizontal keyhole.

To re-install the bracket in a new location, simply reverse these steps.

Adjusting Door Hinges



Screw 1A and 1B

Moves the door up and down.

Screw 2

Adjusts the depth of the door relative to the cabinet (i.e. moves the door in and out).

Screw 3

Moves the door left and right.

1. Door at Incorrect Height

- Loosen screws 1A and 1B on both top and bottom hinges.
- Align door at appropriate height.
- Tighten screws 1A and 1B on both top and bottom hinges.

2. Crooked Door (hinges on left side, reverse instructions for right side hinges)

2.1 Leaning Right

Turn screw 3 counterclockwise on the top hinge OR turn screw 3 clockwise on the bottom hinge.

2.2 Leaning Left

Turn screw 3 clockwise on the top hinge OR turn screw 3 counterclockwise on the bottom hinge.

3. Door Too Far Left or Right (hinges on left side, reverse instructions for right side hinges)

3.1 Too Far Left

Turn screw 3 clockwise on BOTH top hinge and bottom hinge.

3.2 Too Far Right

Turn screw 3 counterclockwise on BOTH top hinge and bottom hinge.

4. Door Not Closing Evenly

4.1 Magnet Not Hitting Strike Plate

- Loosen screw 2 on bottom hinge.
- Pull door away from the cabinet.
- Tighten screw 2.

OR

- Loosen screw 2 on Top Hinge.
- Push door towards the cabinet.
- Tighten screw 2.

4.2 Bumper Not Hitting Cabinet Frame

- Loosen screw 2 on top hinge.
- Pull door away from the cabinet.
- Tighten screw 2.

OR

- Loosen screw 2 on bottom hinge.
- Push door towards the cabinet.
- Tighten screw 2.

Regular Fridge Panel Installation

Regular Fridge Panel Installation

The following steps are applicable to the appliances listed below:

15" Refrigerator Kit (A-FRDG15)

24" Refrigerator Kit (A-FRDG24)

20 3/4" Refrigerator Kit (A-FRDG20.75)

30" Refrigerator Kit for two 15" combination (A-FRDG30)

21 1/2" Refrigerator Kit (A-FRDG21.5)

24 7/8" Dishwasher Kit (A-DW24.875)

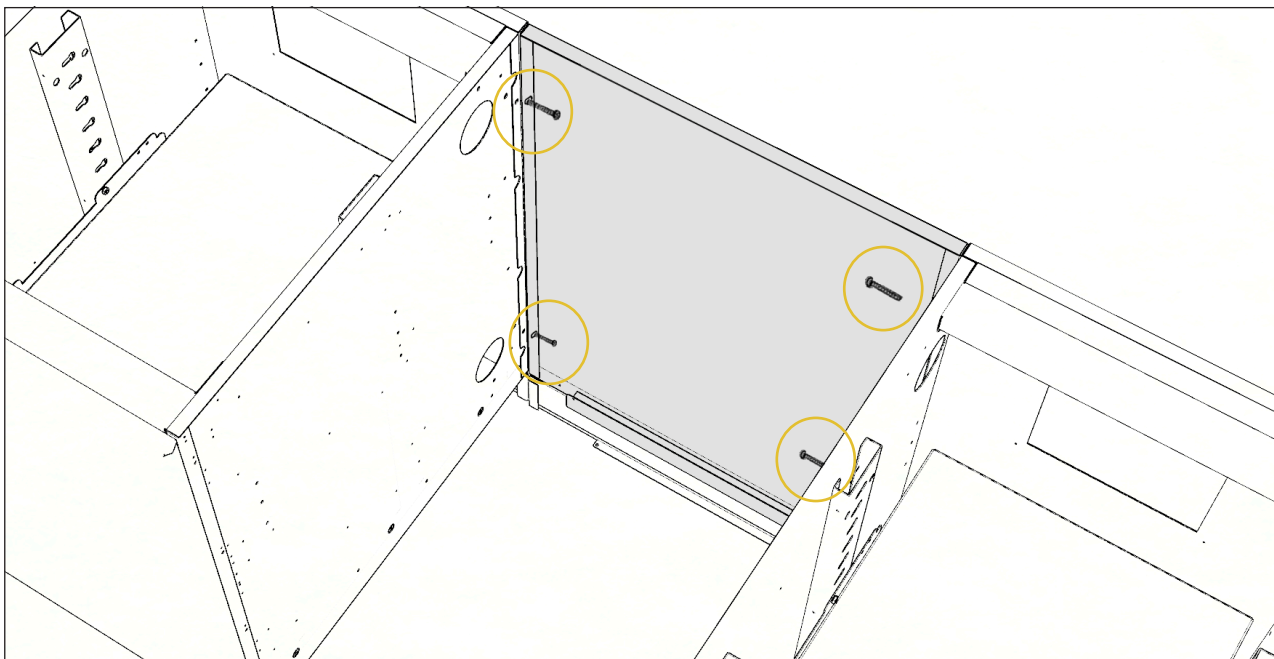
22" Refrigerator Kit (A-FRDG22)

1. Place the back panel upside down on a protected surface. Using #8 screws, install the sliding toe kick. (see Fig.1 on page 14)

2. Attach the finished back panel to other cabinets using 8-32 bolts. (Fig. 9)

Finished Back Panel is fastened with other cabinets from within the cabinet cavity. Use two bolts and nuts (supplied) for each side and tighten.

Fig. 9 - Connecting Finished Back Panel



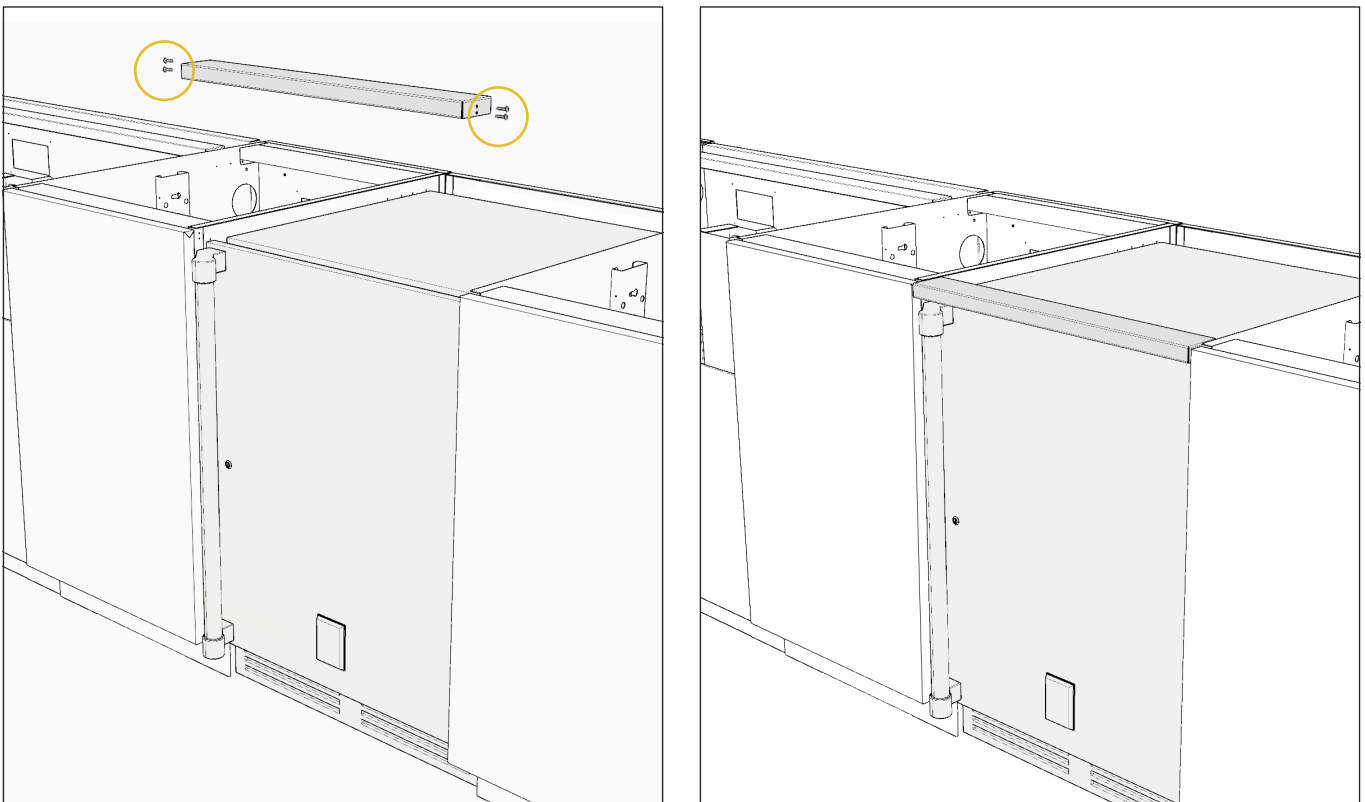
3. Make sure to pass all necessary electrical lines in the conduits and access panels before putting in place your appliance.

4. Attach the **front countertop support spacer** using four **#8 screws** (Fig. 10).

The Front Countertop Support Spacer is fastened from within the cavity.

Use two #8 screws for each side.

Fig. 10 - Front Countertop Support Spacer



Reinforced Fridge Panel Installation

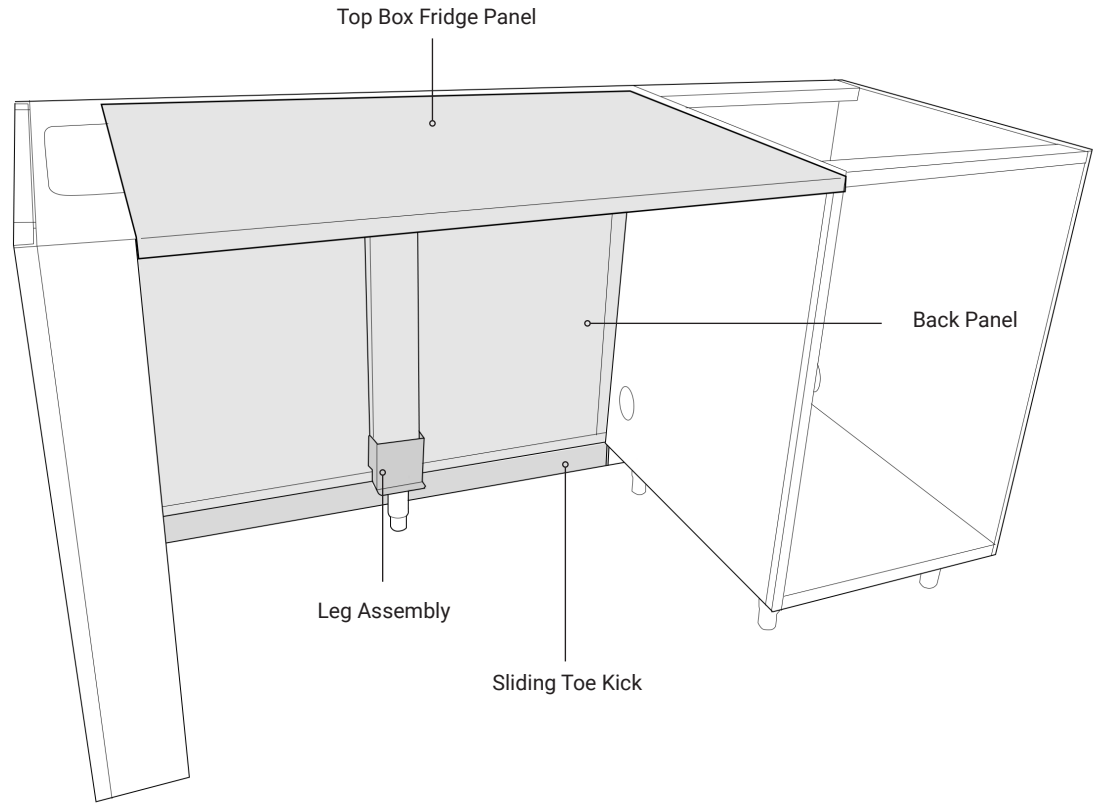
Reinforced Fridge Panel Installation

The following steps are applicable to the appliances listed below:

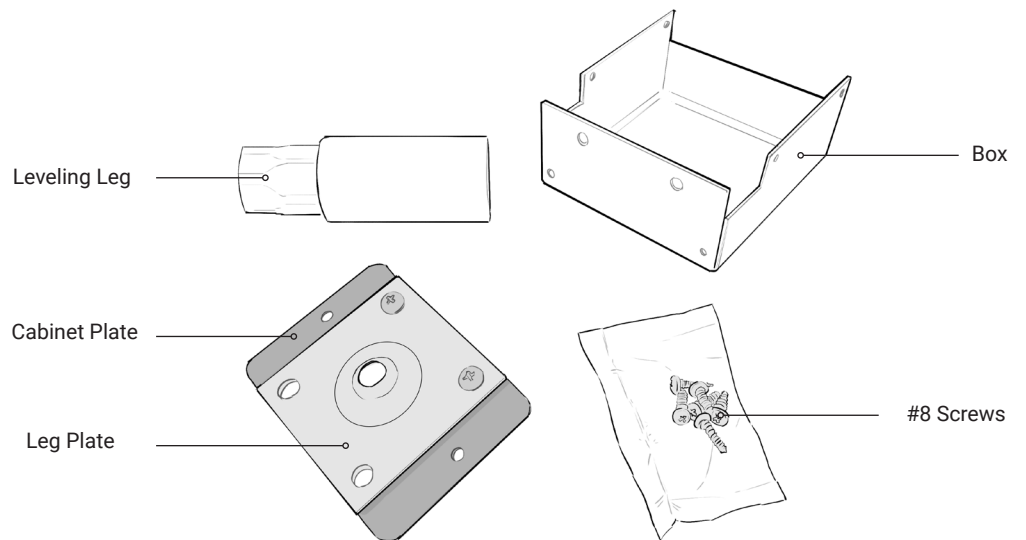
39" Refrigerator Kit (A-FRDGRIN-39)

48" Refrigerator Kit (A-FRDGRIN-48)

Reinforced Fridge Panel Assembly



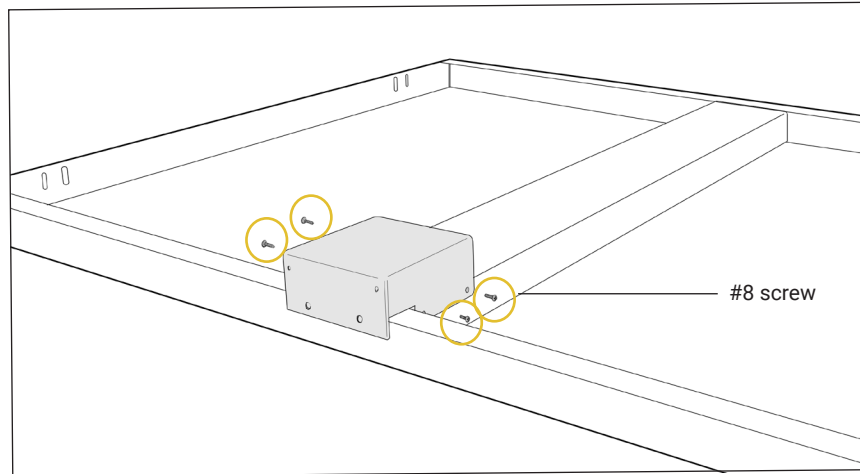
Leg Assembly



Installation Protocol

1. Place the back panel on a protected surface and screw the **box** around the back panel column with four **#8 screws** (see Fig.11).

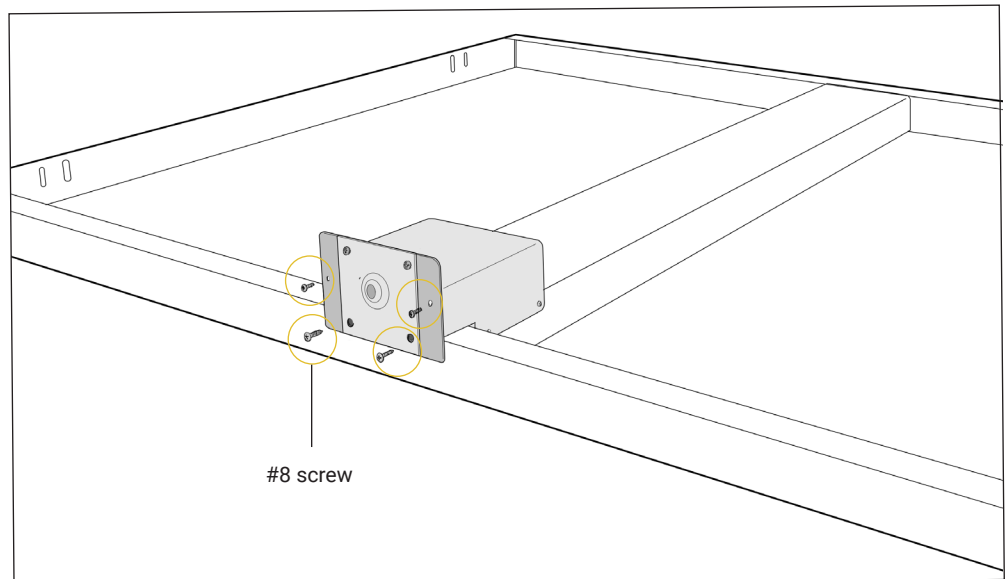
Fig. 11 - Screwing the Box



2. Using four **#8 screws**, install the **cabinet plate** and the **leg plate** to the box (see Fig. 12).

Use four #8 screws (supplied) to attach the cabinet plate to the box.

Fig. 12 - Screwing the Cabinet Plate



3. Attach the **leveling leg** to the leg plate by screwing on clockwise.

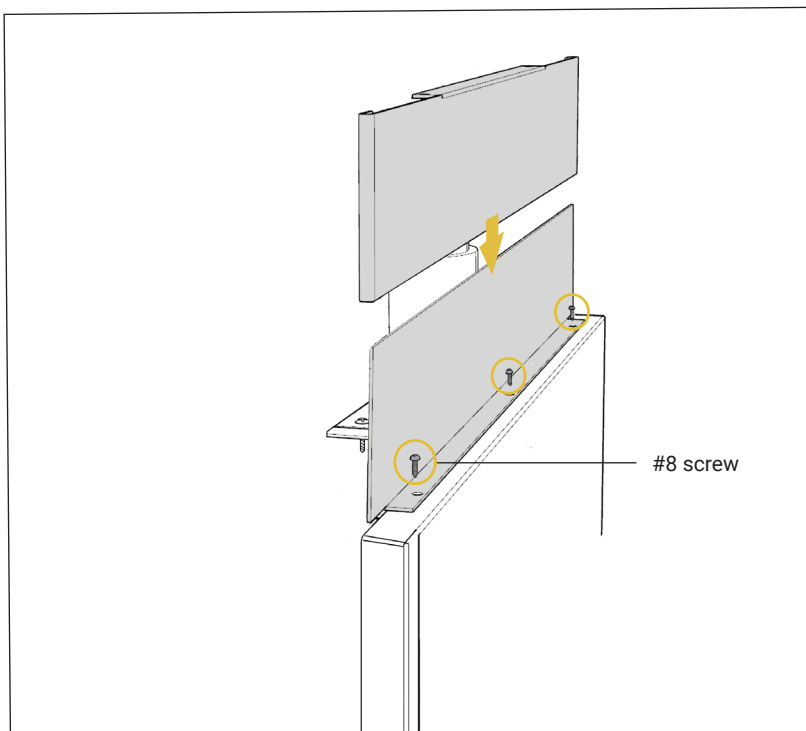
4. Place the back panel upside down on a protected surface.

5. Using **#8 screws**, install the **sliding toe kick**.

Note - Do not overtighten. Keep tape on toe kick (see Fig. 13).

Sliding toe kick assembly is attached to back panel with three #8 screws (supplied). First fasten the fixed portion of the assembly and then slide the self leveling portion into position. Use tape to hold the self leveling portion in place.

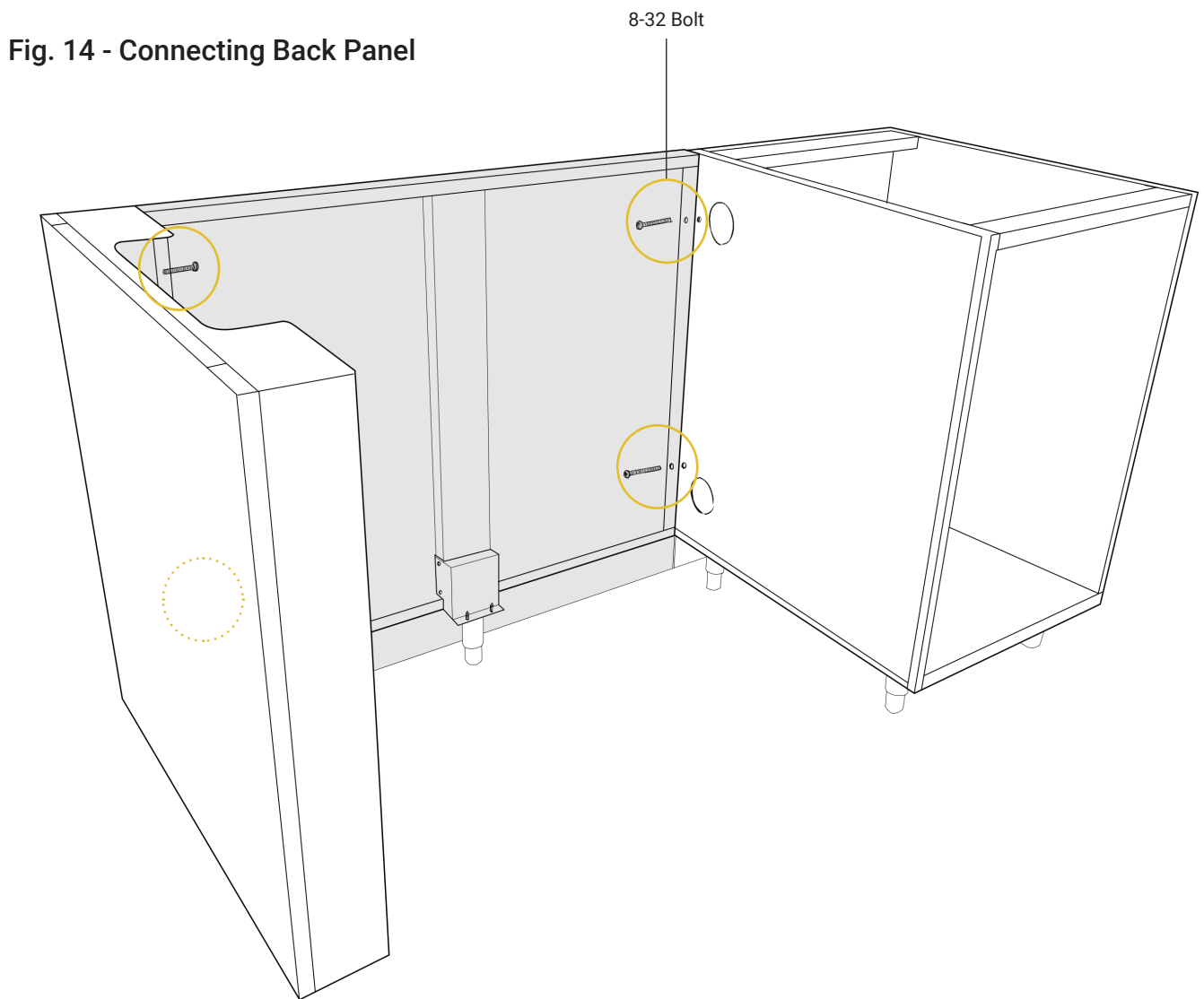
Fig. 13 - Installing Sliding Toe Kick



6. Attach the back panel to other cabinets using 8-32 bolts (See Fig. 14).

Back Panel is fastened with other cabinets from within the cabinet cavity.

Use two 8-32 bolts and nuts (supplied) for each side and tighten.



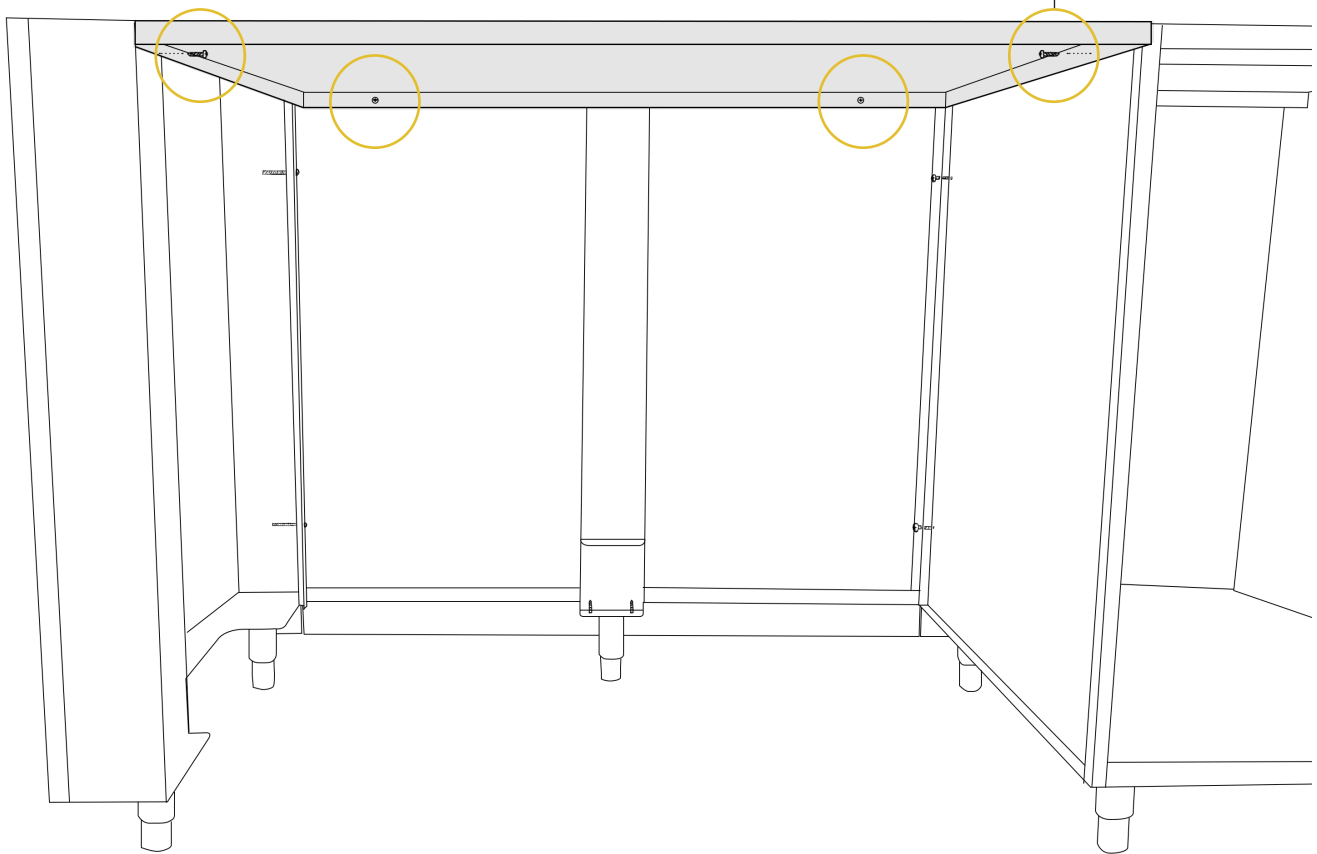
7. Attach the **top box fridge panel** to other cabinets using **#8 screws** (see Fig. 15).

Top Box Fridge Panel is fastened from under.

Use two #8 screws (supplied) in the front. Use two #8 screws (supplied) in the back.

#8 screw

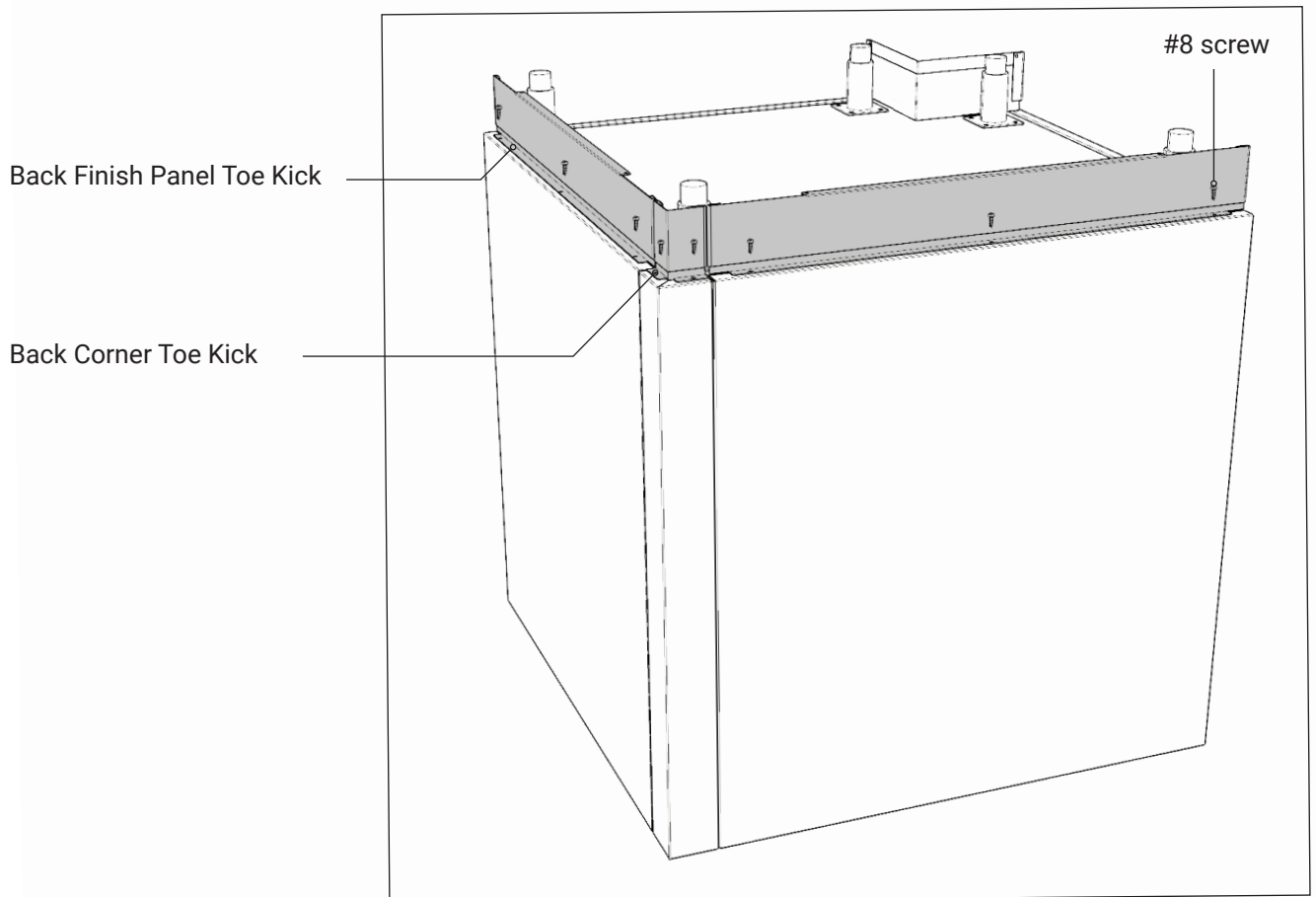
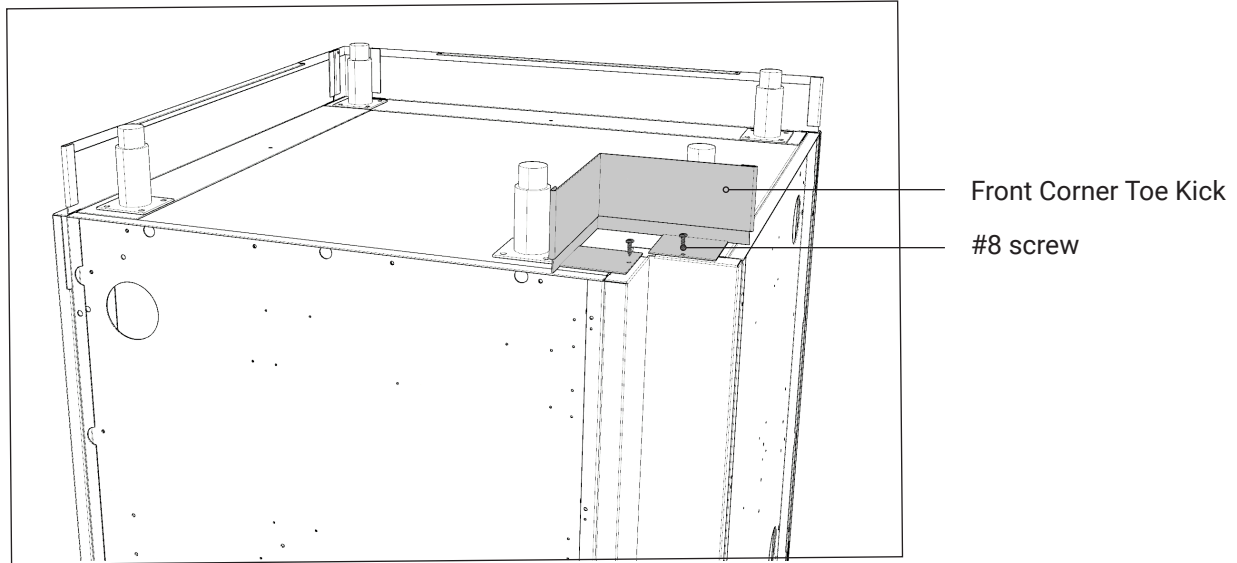
Fig. 15 - Attaching the Top Box Fridge Panel



Corner Cabinet Installation

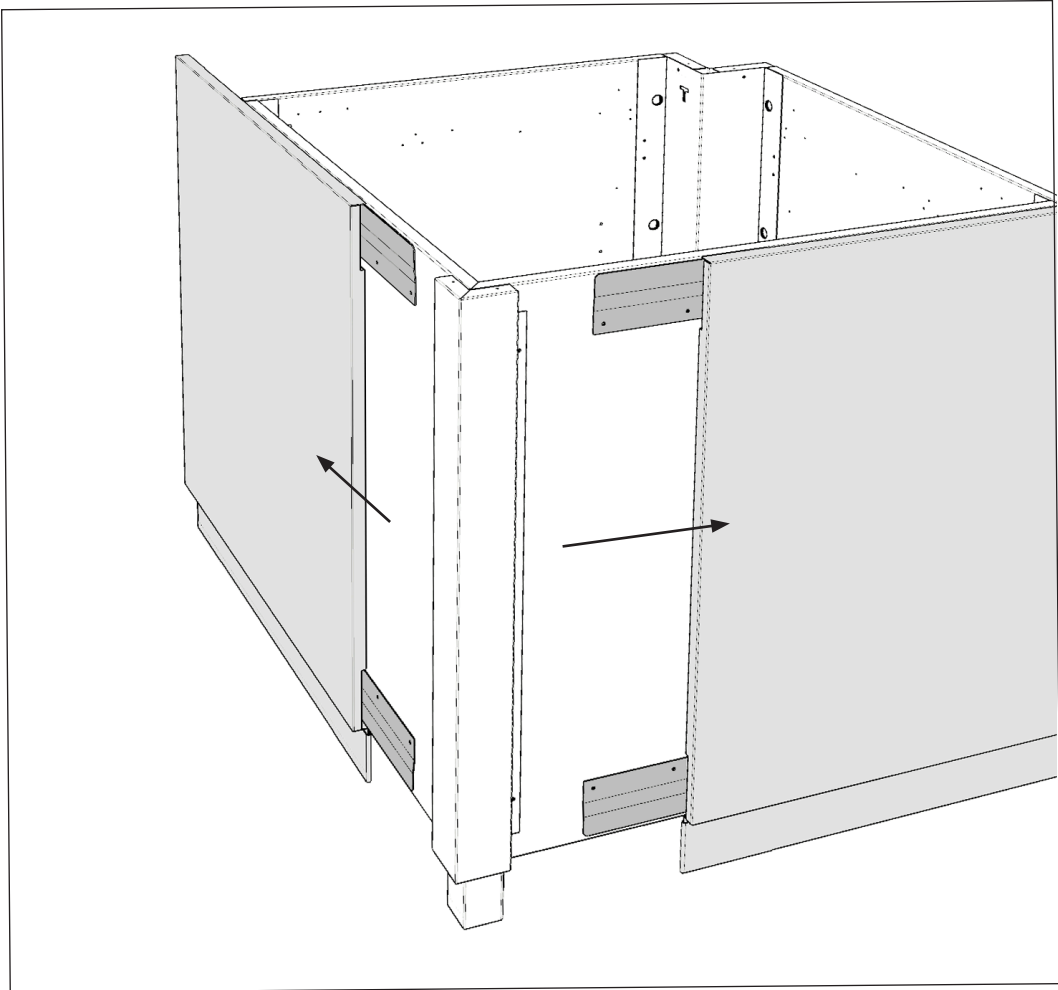
Corner Cabinet Installation

All toe kicks are installed when the cabinet is upside down (step 5 on **page 14**) using **#8 screws**.



Corner cabinet is fastened to other cabinets from inside, using **#8 screws** in the front and **8-32 bolts and nuts** in the back (See Fig.2 and Fig.3/Fig.4 on **pages 15-17**).

Note - In any case where the finished back panels need to be taken off, these can be easily removed by sliding them in and out of the riveted brackets.



Care & Maintenance Guide

Care & Maintenance Guide



To prolong the life of your Urban Bonfire cabinetry and to remain satisfied with the product, please be sure to follow the below instructions:

Cabinetry Maintenance

- Clean all powder coated surfaces with a mild soap and non-abrasive sponge.
- DO NOT use any chlorides or quaternary salts on the cabinetry.
- DO NOT use any hydrochloric acid (muriatic acid) on cabinetry.

Internal Components Maintenance

In salt air environments, regularly rinse and clean stainless steel hinges, drawer slides and handles with water. Rust speckling is normal in salt air environments and only occurs on the surface of our 304 stainless steel components. If it occurs, simply clean stainless steel surfaces with a light abrasive pad to remove the surface discoloration.

Solid Bronze Handle Maintenance

- If you chose to upgrade your kitchen with one of our solid bronze handles, please remember that it is normal that the finish changes with time and use.

Our handles are made of very durable solid bronze material that will patina with use. They will exhibit different forms of weathering over time.

Natural bronze is equipped with a "living finish" that allows it to adapt to its environment and protect it against corrosion.

- Solid bronze handles should be cared for in the same way as your powder coated finish, with mild soap, water and a non-abrasive sponge. Never use any abrasive materials (such as steel pads, wire brush or scrapers) as this will alter the finish.

Countertop Maintenance

Please take extra care when cleaning your countertop. Although solvents, such as acetone, are often recommended by counter manufacturers and fabricators, these substances **WILL DAMAGE** the powder coated finish of your Urban Bonfire cabinetry. To avoid any mishaps, we suggest using standard detergent when cleaning your countertop.

If you have any questions, do not hesitate to contact us at service@urbanbonfire.com

Help us protect your investment...
Register your product with us at www.urbanbonfire.com/warranty

Notice to Professionals



Please be aware that Urban Bonfire Inc. does not provide the following services:

1. Ensuring that the design, services and products being provided by Urban Bonfire Inc. or contractors comply with applicable laws and regulations, including, without limitation, fire codes and zoning regulations.
2. Determining whether the physical environment (including, without limitation, any deck), is suitable for the design, services and products provided by Urban Bonfire Inc. or contractors.

It is the Client's full responsibility, at its sole cost, to ensure and determine the items set forth in (1) and (2) above, and in the event that Urban Bonfire Inc. is unable to complete its design or provide the services or products due to any issues relating to (1) or (2) above, all fees payable by the Client shall remain payable, notwithstanding that Urban Bonfire Inc. may not be able to complete its services, and Client hereby agrees to indemnify and hold harmless Urban Bonfire Inc. from any liabilities relating hereto.

