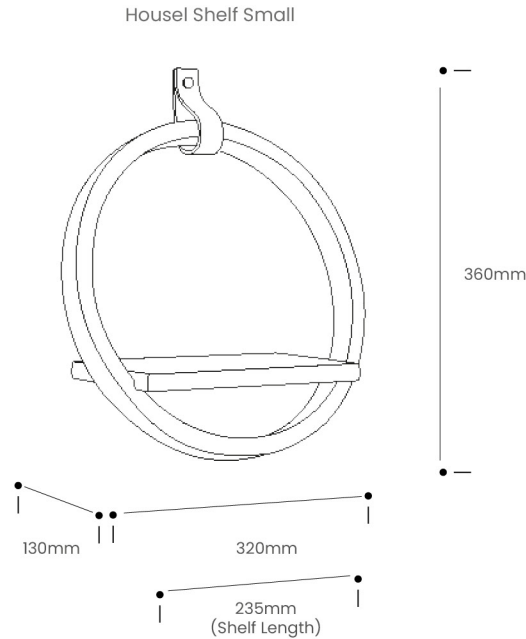


HOUSEL SHELF SMALL

Product Specification

Tom Raffield



With origins rooted in the sculptural tree canopies surrounding our Cornish design studio, our new collection of steam bent, ash wood storage and accessories celebrates the strength, versatility, and unique character of this sustainable natural material, whilst showcasing forward-thinking design at it's very best.

Showcase the power of small space design with a mini version of our bestselling HouseL Shelf. Shaped from supple ash wood, the fluid curves of our circular HouseL Shelf Small challenges everyday linear storage solutions. A solid wooden shelf nestles within a flowing steam bent hoop, creating a practical wall space for your favourite treasures. Customise with a tan, brown or black leather hanging strap complete with a brass screw cover to complement your space. Perfect on its own in smaller spaces or make a statement and hang in multiples for a curated wall display.

Signature in style, timeless by nature.

Product Type : Furniture	SKU	Wood types	Dimensions L x W x H (mm)		Weight (kg)	
			Unboxed	Boxed	Unboxed	Boxed
HouseL Shelf Small - Tan Leather	TR-HOUS-F-A-T-SML	Ash	130 x 360 x 320	457 x 457 x 305	0.638	2.425
HouseL Shelf Small - Brown Leather	TR-HOUS-F-A-BR-SML	Ash				
HouseL Shelf Small - Black Leather	TR-HOUS-F-A-BL-SML	Ash				
Materials	Ash	Other materials				
		Brass cap	Leather Strap			
Finish	Finished with a blend of natural wax oils to give a protective, hardwearing and beautiful finish.					
Care information	<ul style="list-style-type: none"> Finish: The blend of natural oils can take up to four weeks to harden fully. Because of this, particular care should be taken in the first few weeks after delivery before cleaning, see below. Care: Solid wood may expand and shrink with differences in temperature and humidity so take care not to place your furniture directly next to anywhere with excessive changes in temperature such as radiators and windows. Cleaning: To clean on a regular basis wipe the surface with a damp cloth before removing any moisture with a dry cloth. Wipe off anything that will stain straight away, eg red wine, balsamic vinegar, oil, tea, coffee, alcohol, etc. In the event of severe spillages and stains the surface can be lightly re-sanded and re-oiled - please talk to us or a professional furniture restorer before doing so. 					
Additional information	<ul style="list-style-type: none"> Product care instructions included. 					