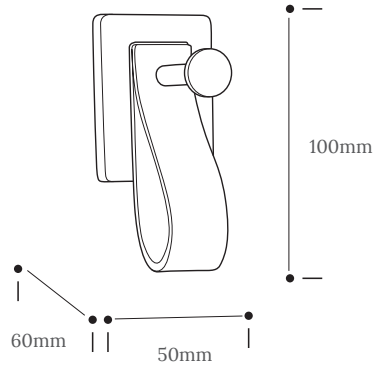


LARIS WALL HOOK

Product Specification

Tom Raffield




Laris Wall Hook



With origins rooted in the sculptural tree canopies surrounding our Cornish design studio, our new collection of steam bent, ash wood storage and accessories celebrates the strength, versatility, and unique character of this sustainable natural material, whilst showcasing forward-thinking design at it's very best.

With versatility in its nature, the Laris Wall Hook makes every inch of your wall space work hard. These useful pegs are built on a foundation of sustainably sourced FSC ash wood, with a loop of robust tan, brown, or black leather secured by a brushed brass tipped wooden peg, allowing you to hang, drape or thread your wears. The clothes hook makes wall storage easy and can sit proudly alone or thrive in multiples, transforming hallways, bedrooms, and bathrooms into a space of adaptability and convenience.

Signature in style, timeless by nature.

Product Type : Furniture	SKU	Wood types	Dimensions L x W x H (mm)		Weight (kg)	
			Unboxed	Boxed	Unboxed	Boxed
Laris Wall Hook - Tan Leather	TR-LARI-F-A-T/2*/3*	Ash	60 x 50 x 100	240 x 120 x 95	0.061	0.225
Laris Wall Hook - Brown Leather	TR-LARI-F-A-BR/2*/3*	Ash				
Laris Wall Hook - Black Leather	TR-LARI-F-A-BL/2*/3*	Ash				
Materials	Ash 	Other materials				
		Brass collar 	Leather Strap 			
Finish	Finished with a blend of natural wax oils to give a protective, hardwearing and beautiful finish.					
Care information	<ul style="list-style-type: none"> Finish: The blend of natural oils can take up to four weeks to harden fully. Because of this, particular care should be taken in the first few weeks after delivery before cleaning, see below. Care: Solid wood may expand and shrink with differences in temperature and humidity so take care not to place your furniture directly next to anywhere with excessive changes in temperature such as radiators and windows. Cleaning: To clean on a regular basis wipe the surface with a damp cloth before removing any moisture with a dry cloth. Wipe off anything that will stain straight away, eg red wine, balsamic vinegar, oil, tea, coffee, alcohol, etc. In the event of severe spillages and stains the surface can be lightly re-sanded and re-oiled - please talk to us or a professional furniture restorer before doing so. 					
Additional information	<ul style="list-style-type: none"> Product care instructions included. 					