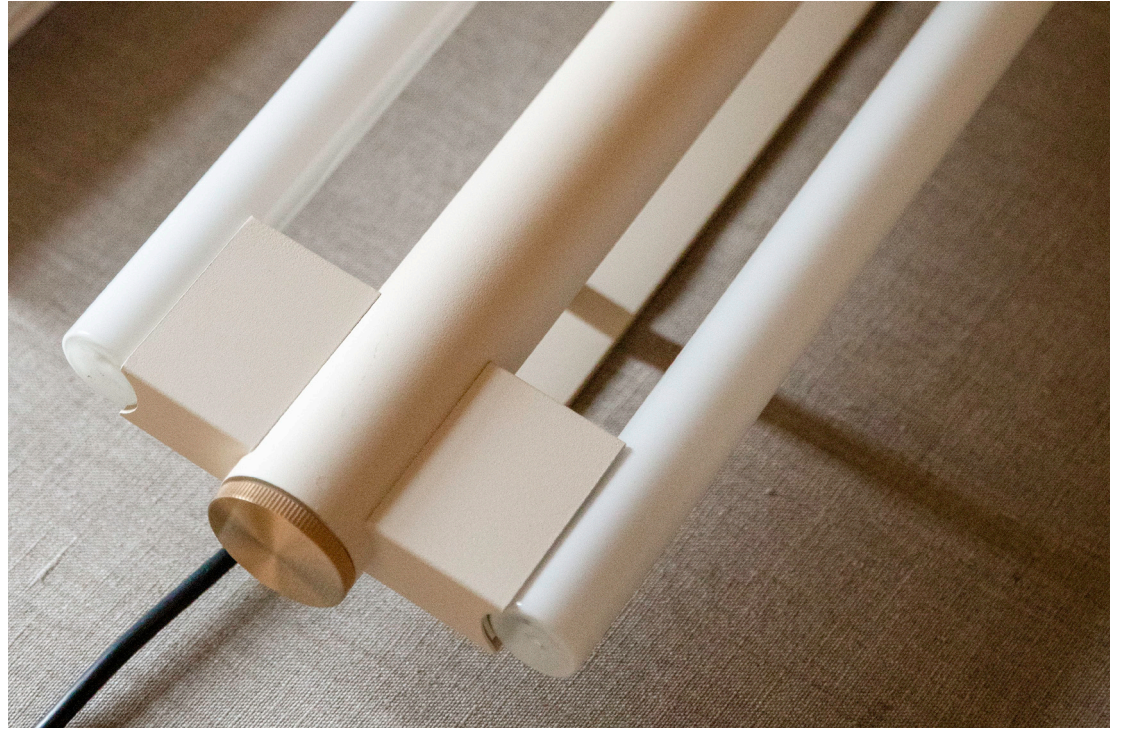


Eiffel Series
Permanent Collection

FRAMA

Introduction

- 4 Permanent Collection
 Lighting
- 6 Eiffel Collection
 Details
 Technical info
- 13 Contact



Lighting

The FRAMA Lighting Collection is a celebration of warmth and illumination even during the dark days of the winter. Crafted with timeless materials that will naturally patina and improve with age, each product has been conceived as a functional object d'art.



Eiffel Light Collection

The Eiffel Light Collection reflects the balance between construction and form made with simplicity in mind. Each piece within the series is an industrial-inspired item placing visual and practical importance on the light bulb, diffusing a warm glow of soft light.

Initially designed in 2015 by design duo Krøyer-Sætter-Lassen, the collection includes pieces in waxed raw steel and plated brass dimmer. In 2021, new additions defined by slender opal glass and a soft and uniform finish are added—bold structures creating purposeful light.

Available in two sizes (500 | 1000) and three different qualities (single, double, and pendant), these new items are characterized by a smooth powder-coated metal rod in cream color supporting a blown opal glass LED tube. The lamps also feature a brass metal dimmer switch placed at both the top and bottom of their structure for precisely positioning and controlling the light source. A simple, uncomplicated design, consistent throughout the series, effortlessly blending in a range of settings.

From a hallway, study, or living room to spacious dining, restaurants, office, and commercial environments, the Eiffel Light Collection is a contemporary statement representing functionality and minimalism.

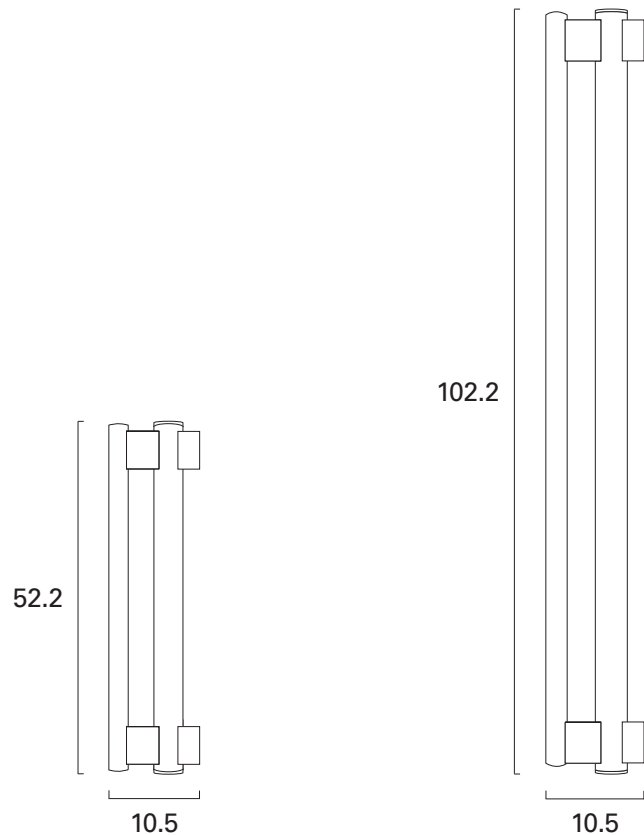


The designer

The Copenhagen-based design studio Krøyer-Sætter-Lassen was founded in 2016 by Mads Sætter-Lassen and Emil Krøyer. Their honest approach to design results in logical, functional, and sculptural objects that showcase a strong cultural understanding of Danish design heritage.

The collaboration

The collaboration between FRAMA and studio Krøyer-Sætter-Lassen has grown to a series of lighting solutions that aim to approach design with logic and sculptural sensibility. The Eiffel Series seeks to reinvent industrial design, making materials and finishes raw and visible.



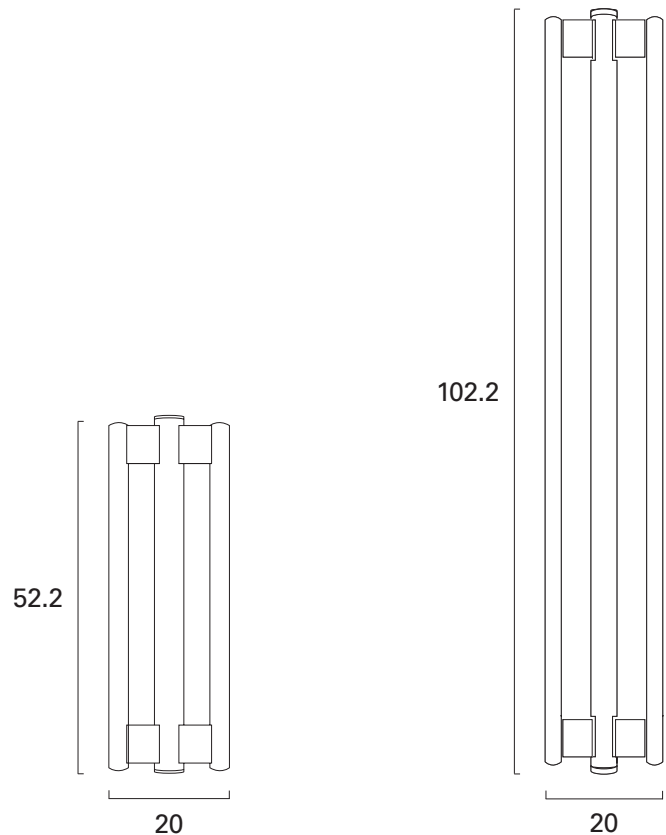
Details

Eiffel Wall Lamp | Single 500

Product	Eiffel Wall Lamp
Design	Krøyer Sætter Lassen
Color	Blackened Steel, Cream
Materials	Waxed raw steel / powder-coated metal rod, blown opal glass LED tube, plated brass dimmer, black silicon wire
Dimensions	H52.2 W4.5 D10.5
Item number	2096, 1990

Eiffel Wall Lamp | Single 1000

Product	Eiffel Wall Lamp
Design	Krøyer Sætter Lassen
Color	Blackened Steel, Cream
Materials	Waxed raw steel / powder-coated metal rod, blown opal glass LED tube, plated brass dimmer, black silicon wire
Dimensions	H102.2 W4.5 D10.5
Item number	1097, 1991



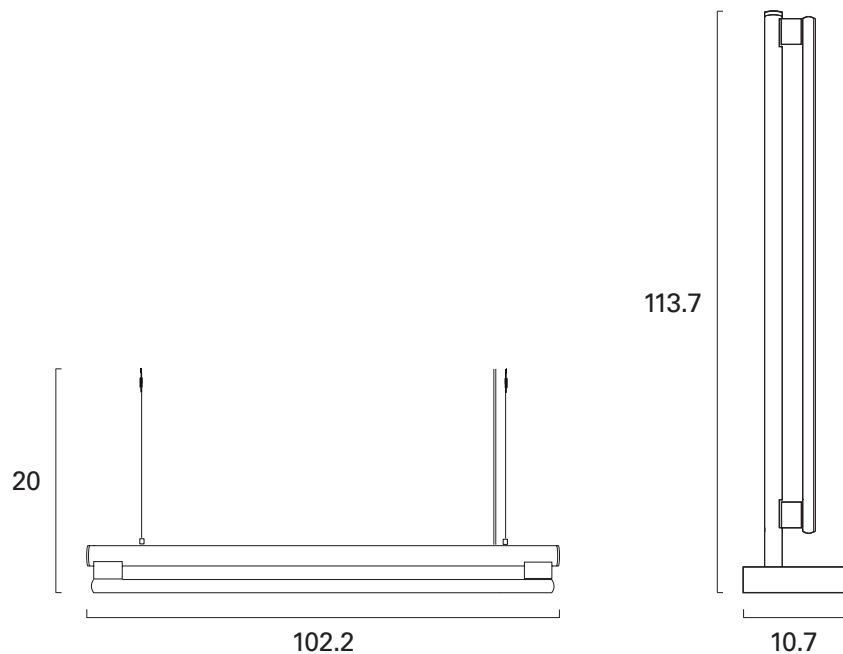
Details

Eiffel Wall Lamp | Double 500

Product	Eiffel Wall Lamp
Design	Krøyer Sætter Lassen
Color	Blackened Steel, Cream
Materials	Waxed raw steel / powder-coated metal rod, blown opal glass LED tube, plated brass dimmer, black silicon wire
Dimensions	H52.2 W20 D10.5
Item number	2104 + 2108, 1992

Eiffel Wall Lamp | Double 1000

Product	Eiffel Wall Lamp
Design	Krøyer Sætter Lassen
Color	Blackened Steel, Cream
Materials	Waxed raw steel / powder-coated metal rod, blown opal glass LED tube, plated brass dimmer, black silicon wire
Dimensions	H102.2 W20 D10.5
Item number	2101 + 2109, 1993



Eiffel Floor Lamp

Product	Eiffel Floor Lamp
Design	Krøyer Sætter Lassen
Color	Blackened Steel
Materials	Waxed raw steel, blown opal glass LED tube, plated brass dimmer, black silicon wire
Dimensions	H113.7 Ø18.5
Item number	2098

Eiffel Pendant Light | 1000

Product	Eiffel Pendants Light
Design	Krøyer Sætter Lassen
Color	Blackened Steel, Cream
Materials	Waxed raw steel / powder-coated metal rod, blown opal glass LED tube, plated brass dimmer, black silicon wire
Dimensions	L102.2 W4.5 D20
Item number	2105 + 2109, 1994





Online store inquiries
shop@framacph.com

General inquiries
frama@framacph.com

Retail requests and orders
order@framacph.com

Press
press@framacph.com

Business/partnership requests
b2b@framacph.com

Project requests
design@framacph.com

Claims
claims@framacph.com

Accounting
accounting@framacph.com

FRAMA
Fredericiagade 57
DK 1310 Copenhagen K
+45 3140 6030
CVR 35391355