

Tasca Collection

FRAMA

Index

- 3 FRAMA Studio
- 5 Tasca Collection
- 6 Products
 - Tasca Chair
 - Tasca Stool
 - Tasca Tables
- 11 Contact

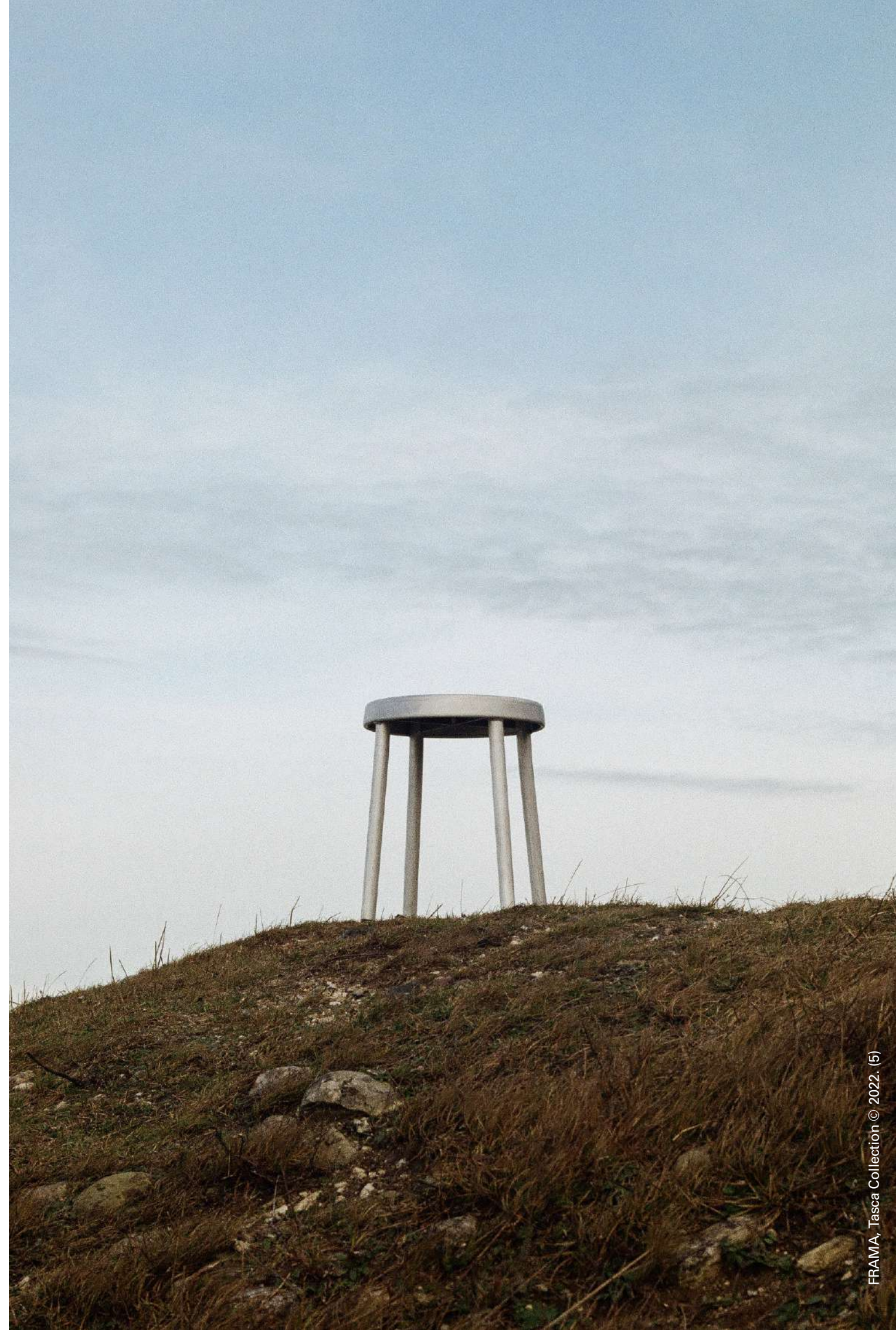


Since the first collection in 2011, FRAMA has embraced an organic and collaborative approach to design equally inspired by the old and the new, by digital technologies and analog traditions. The naturalistic, hands-on approach to design and production has allowed for creating a unified aesthetic across a growing range of product collections.



Tasca Collection

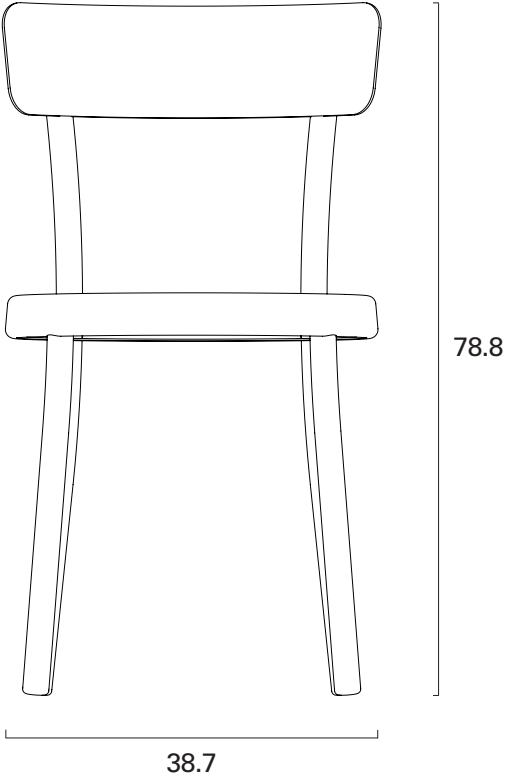
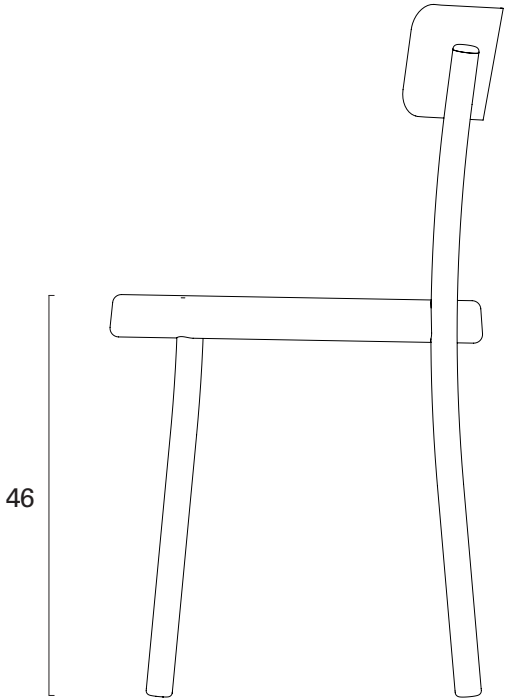
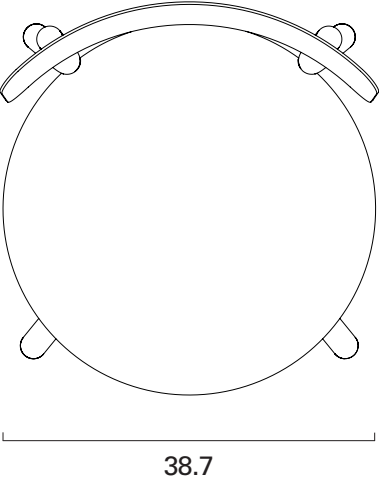
Inspired by the local taverns around Portugal, called "tascas", the Tasca Collection designed by Pedro Sottomayor, including a chair, stool, and table, is a lightweight series for both indoor and outdoor spaces. Made in natural aluminum with a distinctive finish done by hand, each piece is soft in texture, with a smooth, rounded form that encases the user.



Tasca Chair

TASCA CHAIR

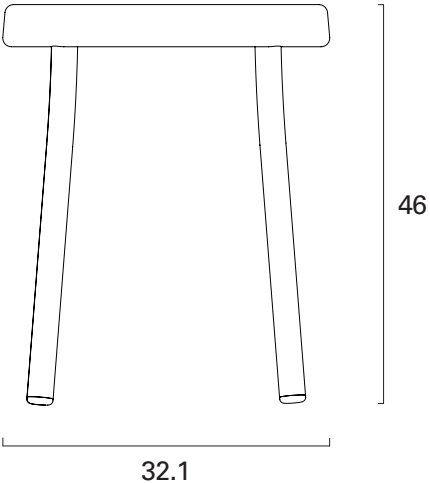
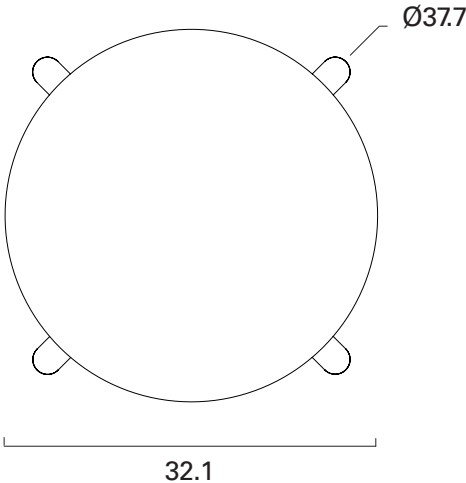
Product	Tasca Chair
Design	Pedro Sottomayor
Origin	Portugal
Material	Untreated aluminum
Dimensions	H78.8 W43.3 D45



Tasca Stool

TASCA STOOL

Product	Tasca Stool
Design	Pedro Sottomayor
Origin	Portugal
Material	Untreated aluminum
Dimensions	H46 W32.1 Ø37.7



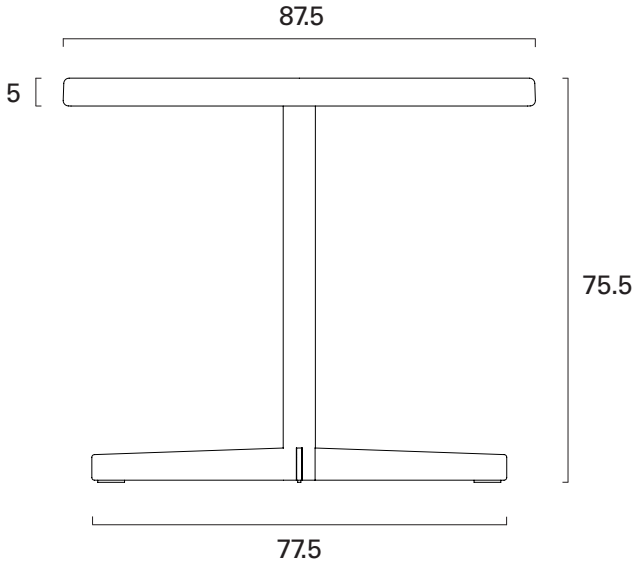
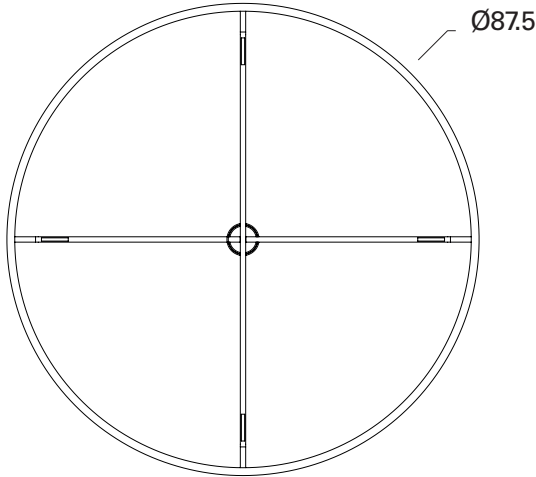
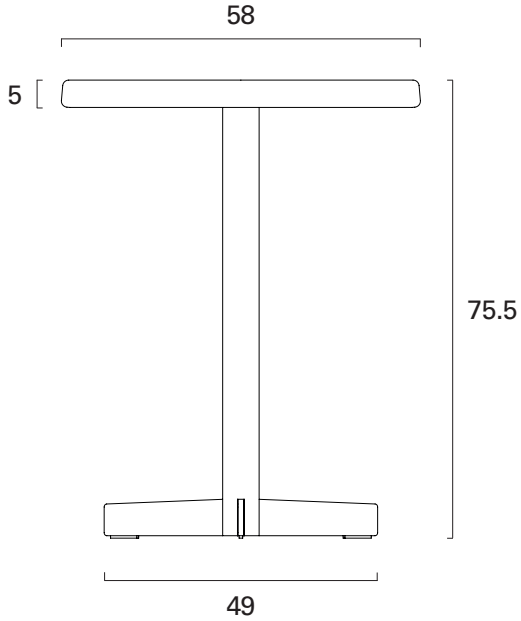
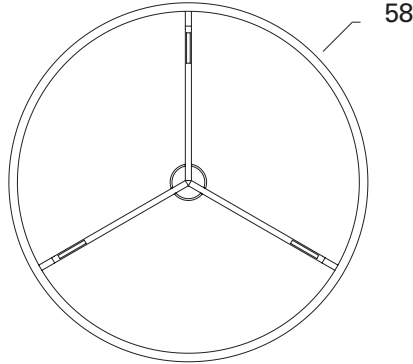
Tasca Tables

TASCA TABLE | SMALL

Product	Tasca Table
Design	Pedro Sottomayor
Origin	Portugal
Material	Untreated aluminum
Dimensions	H75.5 W49 Ø58

TASCA TABLE | LARGE

Product	Tasca Table
Design	Pedro Sottomayor
Origin	Portugal
Material	Untreated aluminum
Dimensions	H75.5 W77.5 Ø87.5







Contact Information

Online store enquiries
shop@framacph.com

General enquiries
frama@framacph.com

Business/retail requests
b2b@framacph.com

Press
press@framacph.com

Project requests
design@framacph.com

FRAMA Head Office
Fredericiagade 57, 1310 Copenhagen K
+45 3140 6030 framacph.com