

URBAN BONFIRE[®]

TUNDRA 36



Equipped with spaces for 24" under-counter refrigerators, this outdoor kitchen allows you to prepare your meal along with a cold, fresh drink. Convenient, easy access storage for glasses and drinkware create a casual area for guests to gather while you cook.

Details

Length **135"** (includes countertop)

Height **36 1/2"** (± 1")

Depth **28 3/4"**

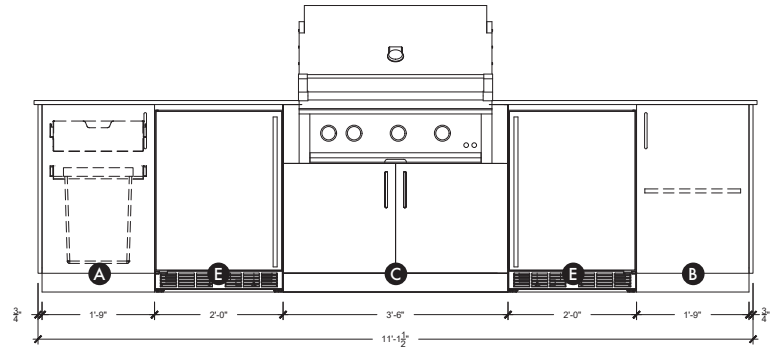
Kitchen Weight **195 lbs**

Countertop Weight **326 lbs**

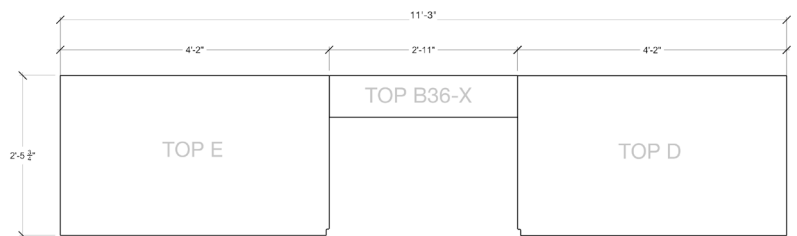
Features

- Drawer (1)
- Refuse & Recycling Module (1)
- Shelf (1)
- Back Panels (optional)
- Dekton[®] Countertop (optional)

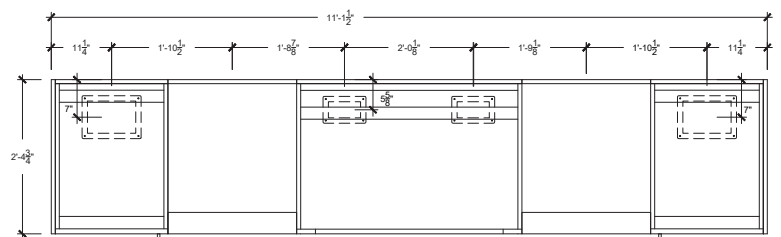
FRONT VIEW



COUNTERTOP TEMPLATE



TOP VIEW (Gas & Electrical Conduits Access Points)



FRONT VIEW (Gas & Electrical Conduits Access Points)

