



Wafer-style, intermediate installation butterfly valve type 565 PVDF/PA-GF
With pneumatic actuator - fail safe to close (FC)
Wafer style metric/ANSI/BS/JIS
Suitable for ABS, PVC-U, PVC-C, ecoFIT and PROGEF Systems

Model:

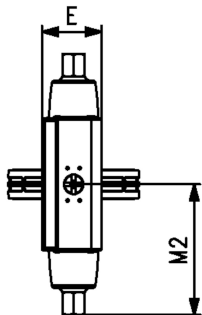
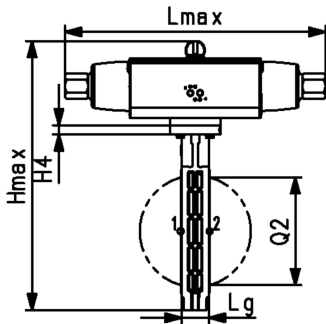
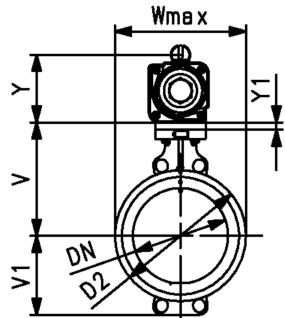
- Installation length: EN558 row 20, ISO 5752 row 20, API 609 table 2
- Flange standards: ISO 7005 PN10/16, EN 1092 PN10/16, DIN 2501 PN10/16, ANSI/ASME B 16.5 Class 150, BS 1560: 1989 Class 125/150; BS 4504 PN10/16, JIS B 2220 10K, JIS B 2239 10K
- For easy installation and removal
- Control time 0-90° 1-2s
- Suitable for water and water treatment applications (e.g. sea water, drinking water and industrial water)

Option:

- Individual configuration of the valve possible
- Hand or electric actuators from GF
- Double sensor for electrical position feedback incl. LED feedback

Note:

***Preliminary data for DN250-300**



DN (mm)	PN (bar)	d (mm)	Size (inch)	kv-value ($\Delta p=1$ bar) (L/min)	Actuator	EPDM Code	SP	Weight (kg)
50	10	63	2	1445	PA30	199 565 500	1	3.2
65	10	75	2 ½	2530	PA30	199 565 501	1	3.5
80	10	90	3	4020	PA35	199 565 502	1	4.3
100	10	110	4	5850	PA40	199 565 503	1	5.9
125	10	140	5	11900	PA45	199 565 504	1	7.9
150	10	160	6	18050	PA50	199 565 505	1	10.7
200	10	225	8	43667	PA60	199 565 506	1	16.4
*	250	10	280		PA65	199 565 507	1	25.5
*	300	6	315		PA70	199 565 508	1	32.1

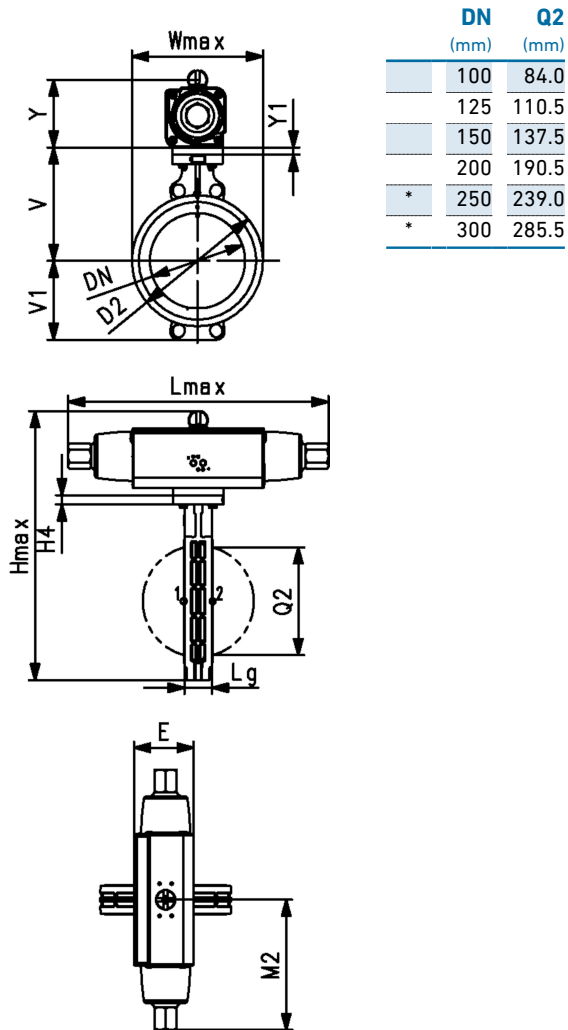
DN (mm)	FKM Code	SP	Weight (kg)
50	199 565 520	1	3.3
65	199 565 521	1	3.6
80	199 565 522	1	4.4
100	199 565 523	1	6.1
125	199 565 524	1	8.2
150	199 565 525	1	11.0
200	199 565 526	1	16.9
*	199 565 527	1	26.2
*	199 565 528	1	33.3

DN (mm)	D2 (mm)	Wmax (mm)	Hmax (mm)	Lmax (mm)	H4 (mm)	V (mm)	V1 (mm)	Lg (mm)	E (mm)	M2 (mm)	Y (mm)	Y1 (mm)
50	100.0	118.5	309.5	274.5	23.0	133.5	63.0	43.0	70.5	137.2	98.5	15.0
65	121.0	132.5	335.5	275.5	23.0	140.0	82.0	46.0	70.5	137.2	98.5	15.0
80	138.0	138.0	361.0	325.5	23.0	146.0	89.0	46.0	83.5	162.6	111.5	15.0
100	158.5	158.5	385.5	359.5	23.0	166.5	104.0	52.0	87.0	179.8	115.0	0.0
125	187.0	187.0	447.5	418.0	23.0	180.0	118.0	56.0	107.5	209.0	149.5	0.0
150	213.0	213.0	472.5	434.0	23.0	189.0	130.5	56.0	111.5	217.0	153.5	0.0
200	267.0	267.0	545.5	547.5	23.0	209.5	159.0	60.0	135.0	273.6	177.0	0.0
*	250	325.5	666.0	681.0	23.0	262.5	195.5	68.0	148.0	323.0	190.0	18.0
*	300	380.0	742.5	681.0	23.0	284.5	230.5	78.0	168.0	340.5	210.5	18.0

DN (mm)	Q2 (mm)
50	28.5
65	44.0
80	63.5

Data sheet

valid from: 7/2/21



The technical data are not binding. They neither constitute expressly warranted characteristics nor guaranteed properties nor a guaranteed durability. They are subject to modification. Our General Terms of Sale apply.

Georg Fischer Piping Systems Ltd, Postfach, CH-8201 Schaffhausen/Switzerland
Phone +41 -(0)52-631 1111
e-mail: info.ps@georgfischer.com
Internet: <http://www.gfps.com>