

Installation Guide

LARGE CANOPY

Thoughtful lighting, responsibly designed in London.

Thank you for making the switch to Tala.
Discover the full Tala family at us.tala.co.uk



BEFORE STARTING

We advise the fitting of our canopy and pendants to be performed by a qualified electrician. Please read through these instructions before commencing work, and keep them for future reference. Please take extreme care when carrying out these instructions.

IMPORTANT

This light fitting must be connected to the earth supply. If your lighting circuit does not have an earth, ask a qualified electrician to provide an earth facility. This light fitting is suitable for indoor use only. This fitting operates on 120V mains voltage. For a list of recommended dimmers to pair with this light fitting, please visit our website.

WARNING

You must switch off electricity supply at the mains during installation and maintenance. We strongly recommend that you withdraw the fuse or switch off the circuit breaker whilst work is in progress. Do not only turn off the wall switch. All fittings must be installed in accordance with current NFPA 70, National Electrical Code (NEC).

RECOMMENDED EQUIPMENT

- Small Flat-head and Phillips-head screwdriver
- Wire strippers
- Insulation tape
- 17mm spanner
- 7mm spanner
- Power drill with 10mm and 5mm drill bit
(Always use the correct drill bit for the material)



Scan me for more
technical help



SKU - CP-OAK-LRG-01-US
SKU - CP-WALT-LRG-01-US
SKU - CP-ASH-LRG-01-US

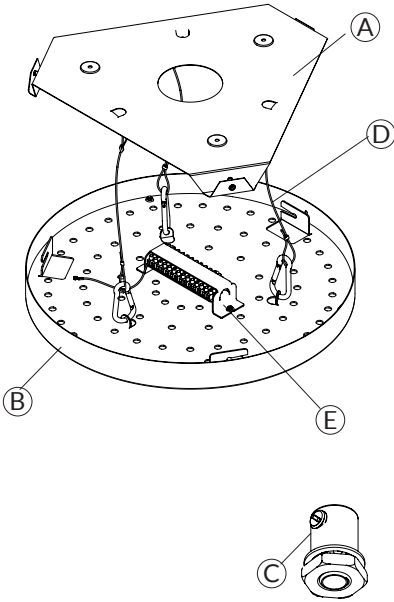
FOR INDOOR USE ONLY



IP20

110-120V

Large Canopy - Provided Components



(A) x1 Ceiling Bracket

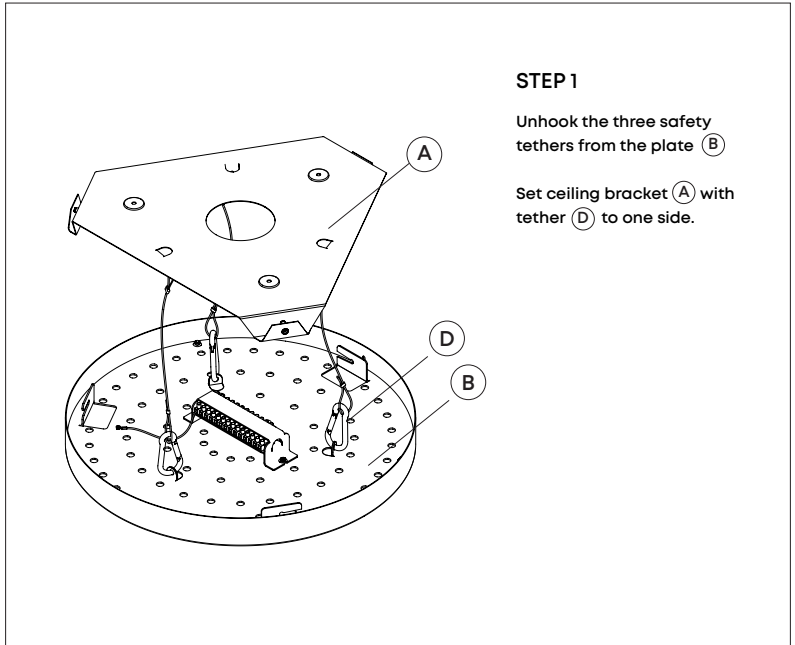
(B) x1 Ceiling Plate

(C) x12 Cord Grips

(D) x3 Safety Tethers
and Clips

(E) x1 Junction Box

(F) x1 M4 20MM Bolt



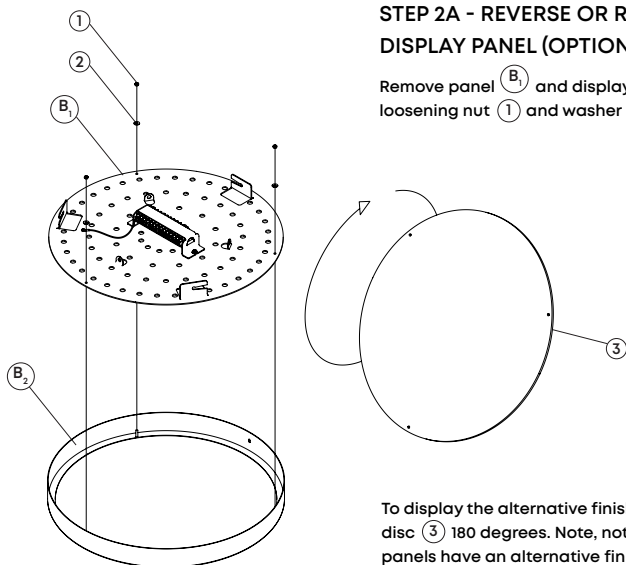
STEP 1

Unhook the three safety
tethers from the plate (B)

Set ceiling bracket (A) with
tether (D) to one side.

STEP 2A - REVERSE OR REPLACE DISPLAY PANEL (OPTIONAL)

Remove panel (B₁) and display disk (3) by loosening nut (1) and washer (2).

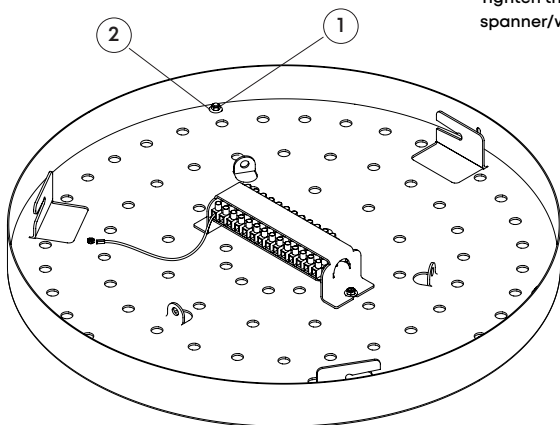


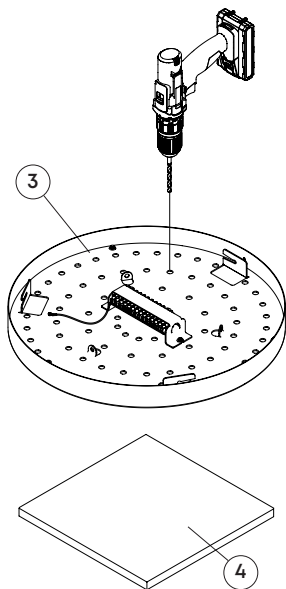
To display the alternative finish, rotate disc (3) 180 degrees. Note, not all display panels have an alternative finish.

STEP 2B

Re-assemble the plate in the same order and fasten it securely with nuts (1) and washers (2).

Tighten these firmly with a spanner/wrench.

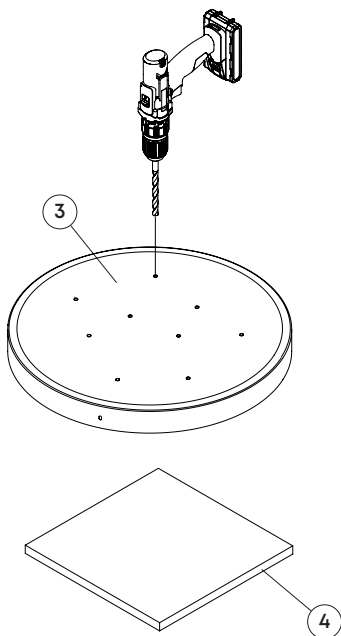




STEP 3

Once you have chosen the hanging positions of your pendants, with a 5mm drill bit, drill small pilot holes through panel from the back side (3).

Please take your time drilling these holes. We recommend you clamp the plate onto a sacrificial surface (4). This will stop the plate moving and help give a clean hole on the front surface.



STEP 4

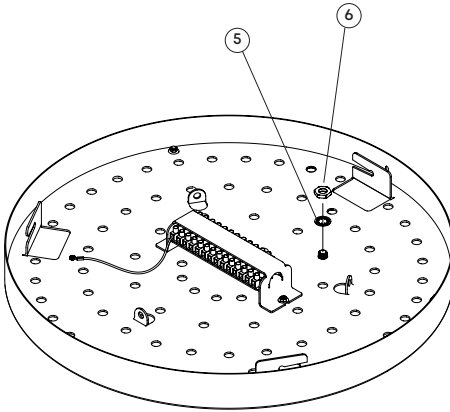
Flip the panel (3) over to the visible side and, using a 10mm drill bit, drill final holes through the pilots on the visible side.

Again, we recommend using a sacrificial surface.

STEP 5

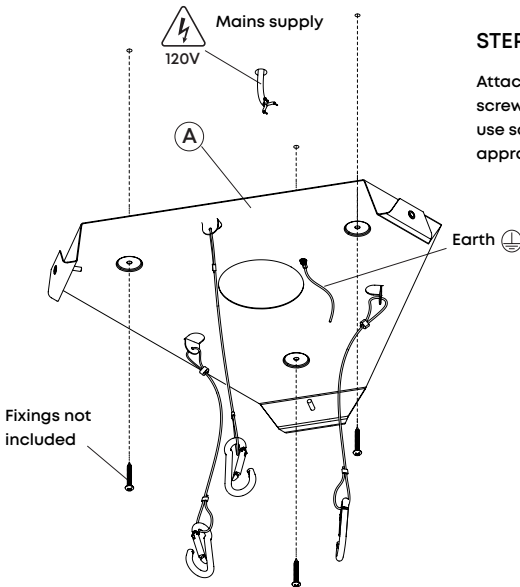
Fasten cord grips through the holes you have drilled using the toothed washers (5) and nuts (6).

Tighten these firmly with a spanner/wrench.



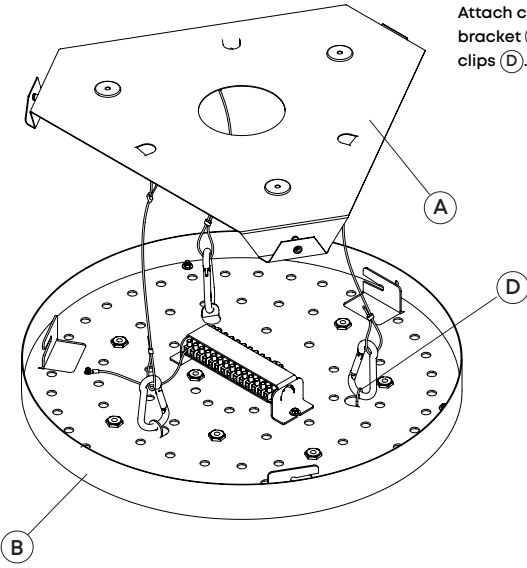
STEP 6

Attach (A) to the ceiling using screws and plug. Make sure to use screws and plugs that are appropriate for the ceiling type.



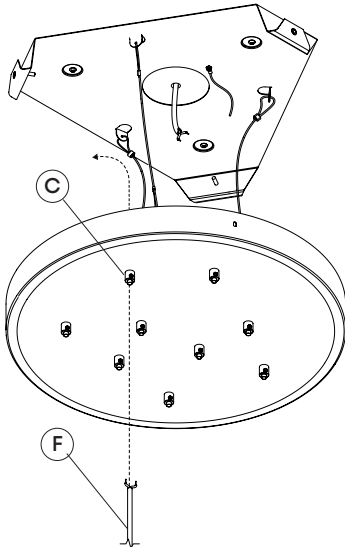
STEP 7

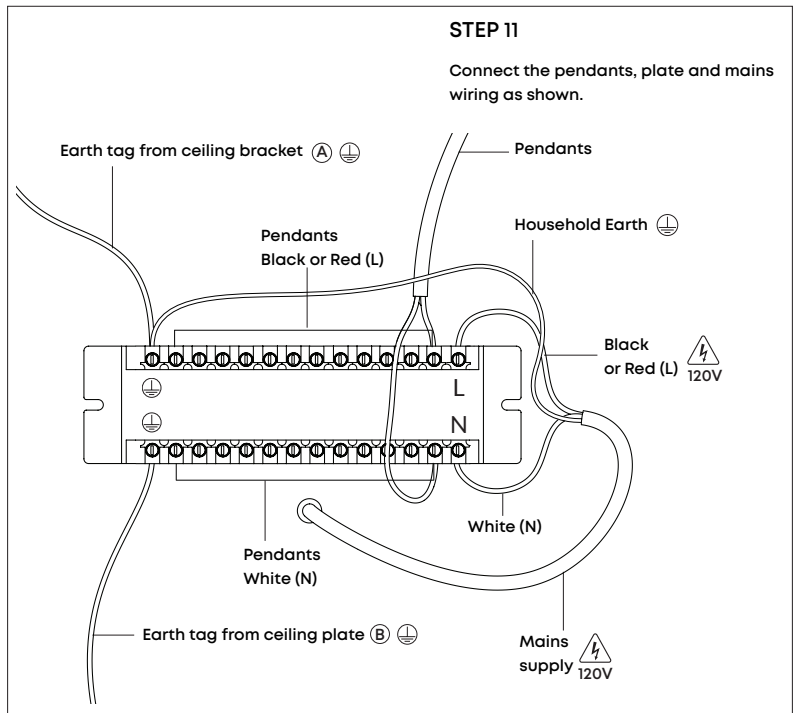
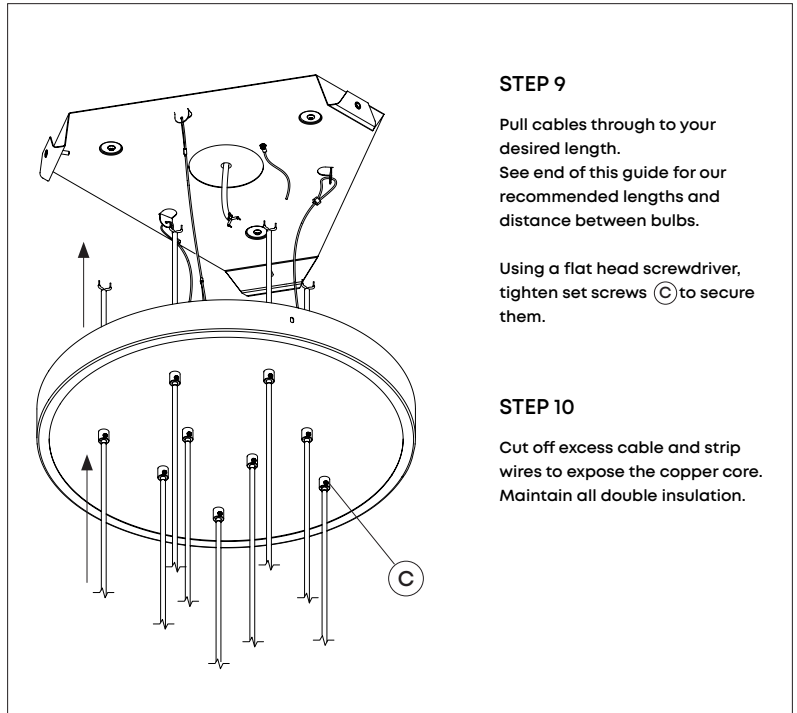
Attach ceiling plate (B) to ceiling bracket (A) using safety tether clips (D).

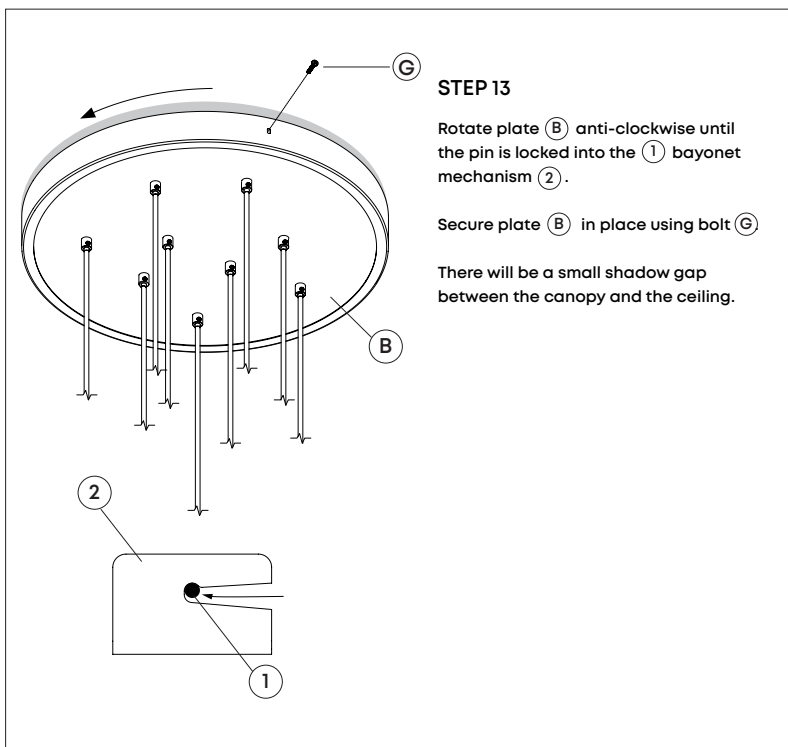
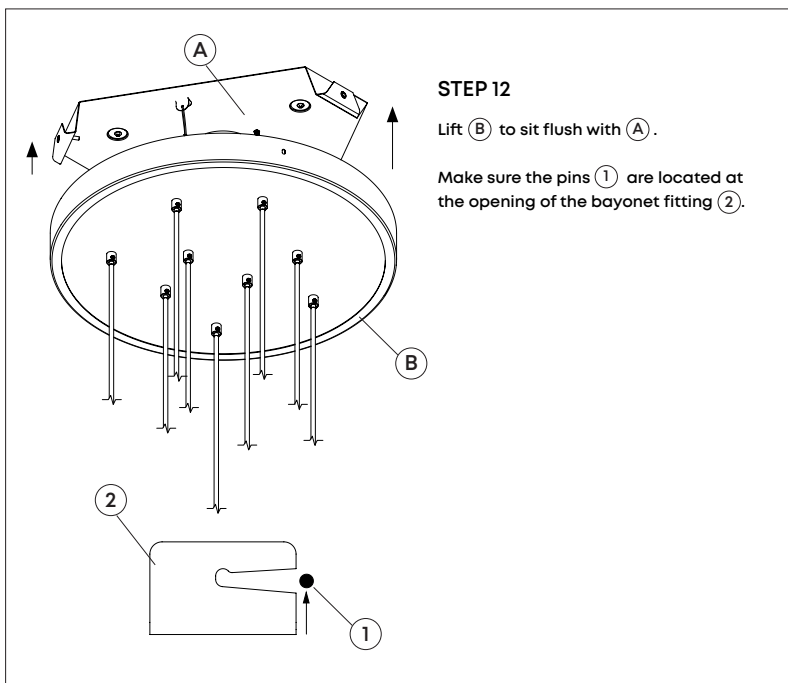


STEP 8

Thread all nine pendant cables (F) through ceiling plate cord grips (C).





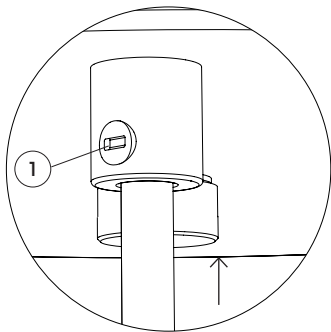


PENDANT DISPLAY GUIDE

ADJUSTING THE CORD

To adjust the cord to your desired length, using a flat head screw driver, loosen the grub/set screw ① and push the cable up into the ceiling plate.

Secure the cable in place by re-tightening the grub screw. Maintain all double insulation.



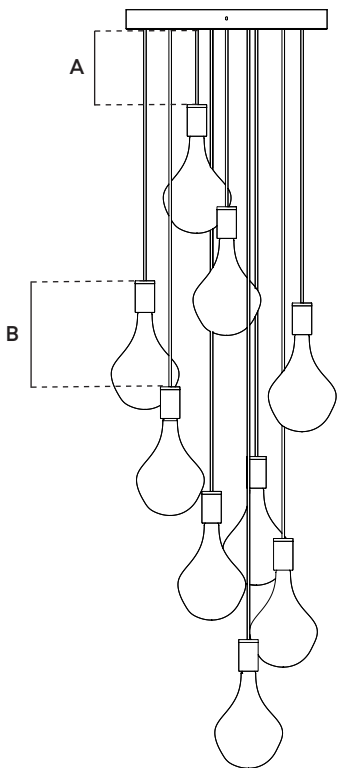
MINIMUM CORD LENGTH ①

For all bulbs shortest recommended cord length is 14 in

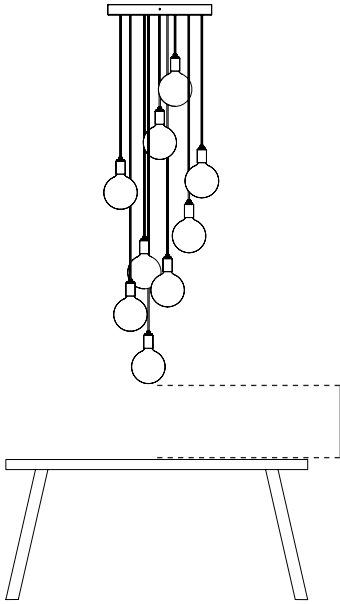
DISTANCE BETWEEN PENDANTS ②

Recommended minimum distance between pendant, dependant on bulb style, are as follows:

- Voronoi I - 6 in
- Voronoi II - 8 in
- Voronoi III - 1⁴ in
- Sphere IV- 6 in
- All other bulbs - 4 in



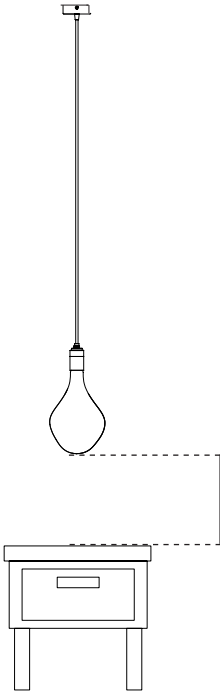
PENDANTS - RECOMMENDED CABLE LENGTHS



SCENARIO 1

Above a coffee or dining table,
or where height is required for
seated tasks

Minimum Distance
28 in



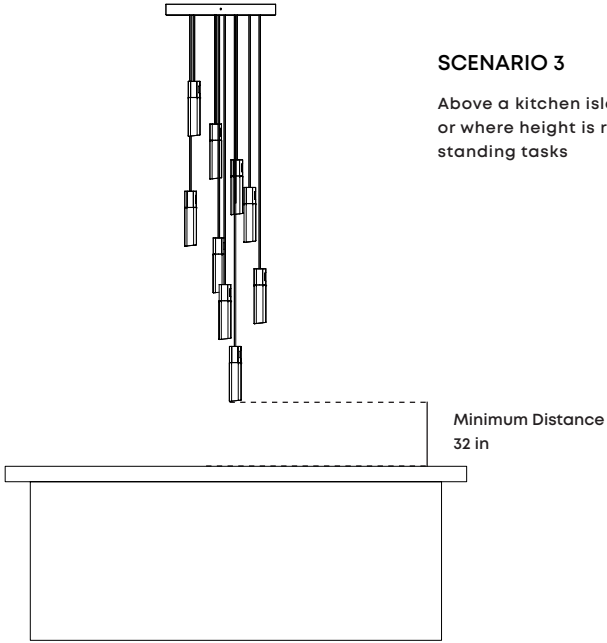
SCENARIO 2

Above side tables, or where
height is required for storage

Minimum Distance
19 in

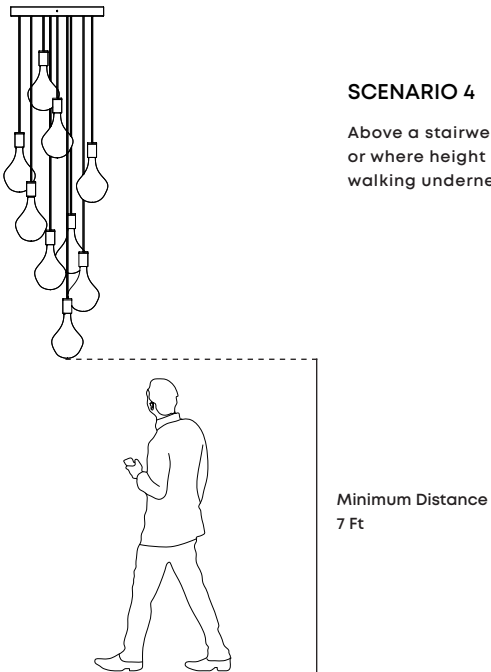
SCENARIO 3

Above a kitchen island or bar,
or where height is required for
standing tasks



SCENARIO 4

Above a stairwell or walkway,
or where height is required for
walking underneath



WARRANTY AND AFTER-CARE

This product has a two-year warranty. If there appears to be a functional defect with the product during this time, please contact our team at customerservice@tala.co.uk.

Please note, the flexible cable attached to this luminaire cannot be replaced; if the cable is damaged, recycle the luminaire and seek a replacement.

Join the Community

Instagram: @tala | Facebook: talaHQ | Pinterest: TalaLED | Tag: lighttoliveby

Tala Energy Ltd. 25B Vyner Street, London, E2 9DG | hello@tala.co.uk

Tala North America, Inc., 2 Research Place, Suite 300, Rockville, MD 20850